



THE EF2i

PELLET STOVE & FIREPLACE INSERT





THE EF2i

PELLET STOVE & FIREPLACE INSERT

EF2i Pellet Fireplace Insert

Specifications

	Freestanding	Fireplace Insert
Heat Output*	40,000 BTU	40,000 BTU
BTU Input on Low	11,200 BTU	11,200 BTU
Heating Area	2,000 ft ²	2,000 ft ²
Efficiency* (HHV)	76.7%	76.7%
EPA Emissions (g/hr)	1.46	1.46
Hopper Capacity	55 lbs	55 lbs
Igniter on Power Usage	520 watt	520 watt
Variable Fan Speed	200 cfm	200 cfm

* Efficiency, emissions and area heated will vary according to fuel type, venting and location

Min. Distance to Combustibles

	FS	FPI
From the sides of the unit	12"	N/A
Behind the unit	4"	N/A
From the top of the unit	33"	N/A
From the front of the unit	6"	6"
Side walls to the center of the unit	N/A	19"
From mantle to top of unit	N/A	6"

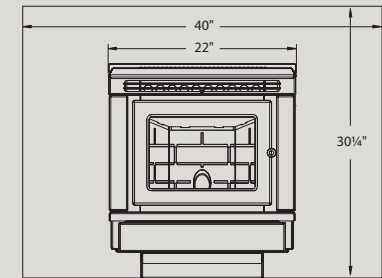
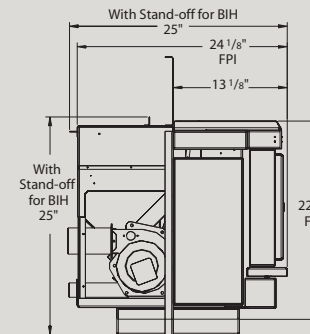
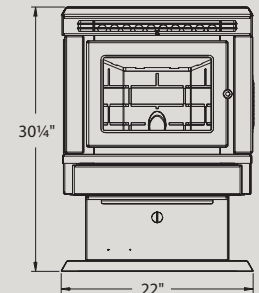
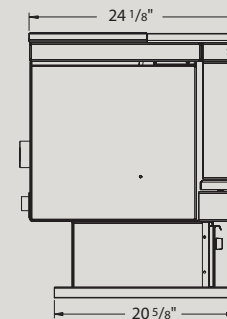
Please see Technical Manual for more information

EF2i FS Features

- Firebox brick liner
- Recessed hopper lid handle
- Heavy-duty heat exchanger
- Welded Firebox
- Full pedestal ash pan
- Covered, easy-to-use controls
- Mobile home approved
- Optional log set
- Optional Gold Door Cover

EF2i FPI Features

- Firebox brick liner
- Recessed hopper lid handle
- Heavy-duty heat exchanger
- Welded Firebox
- Covered, easy-to-use controls
- Optional log set
- Optional Gold Door Cover
- Optional Oversize Surround
46" w x 33" h



Manufactured by Sherwood Industries Ltd ▪ Victoria, BC, Canada
 enviro.com ▪ info@enviro.com ▪ Printed in Canada, March 2014