



S30 Freestanding Gas Stove
Powder Coated Grey Side Panels

S30

FREESTANDING GAS STOVE





S30

FREESTANDING GAS STOVE

S30 Freestanding Gas Stove, Painted Black Side Panels

Gas Stove Details

BTU Input	20,000 BTU's
Area Heated**	1,100 ft ²
Turn Down	50%
EnerGuide FE Rating	74.5%
Venting	Top / Rear
Glass Size	w17½" x h19¾"
Fuel Compatibility	NG & LP

** Efficiency and area heated will vary according to gas type and venting. Approved for sale in Canada and the United States.

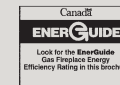
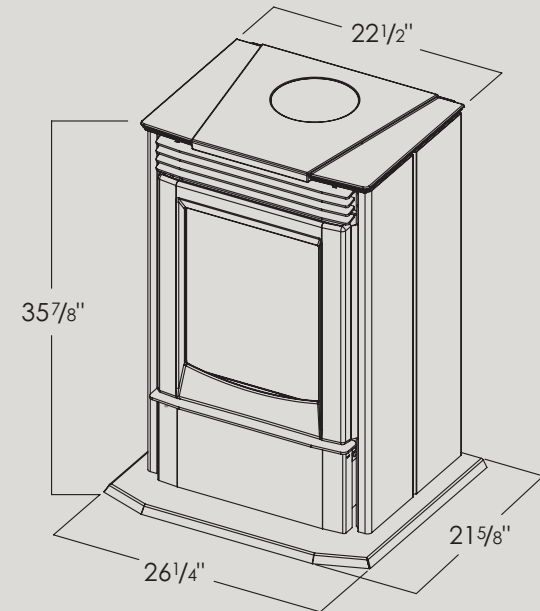
Clearance to Combustibles

Min. distance to the sides of the unit	10¾"
Min. distance to non-combustible surface behind the unit	4"
Min. distance to non-combustible surface from above the unit	12"

Please see owner's manual for more information

S30 Features

- European made cast iron accents
- Choice of side panels & ash lip
 - Painted black
 - Powder coated grey
- Nova and IPI editions
- Field conversion kit NG to LP
- Thermostat or remote compatible
- Ceramic logset
- Removable hearth pad
- Top vent / rear vent convertible
- Heavy duty heat exchanger
- Easy access controls
- 150 CFM variable speed fan
- Clear View safety screen



Manufactured by Sherwood Industries Ltd ▪ Victoria, BC, Canada
 enviro.com ▪ info@enviro.com ▪ Printed in Canada, February 2016