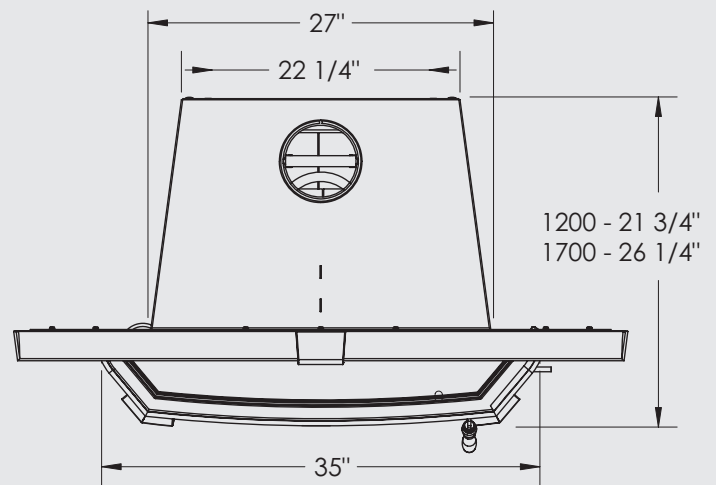
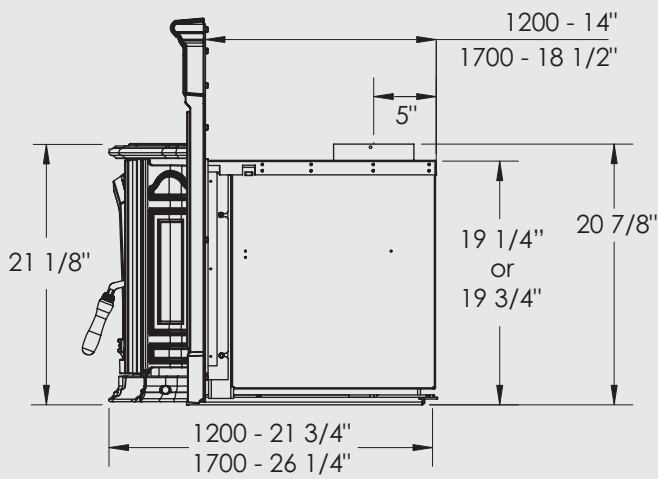
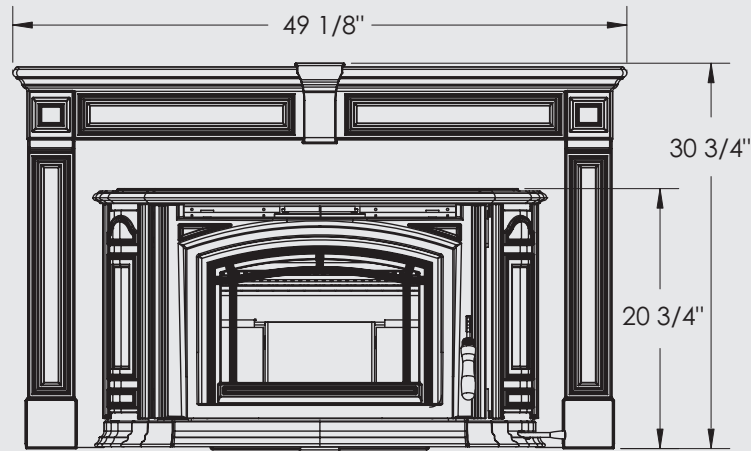
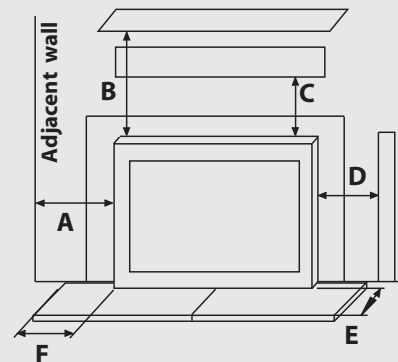


# Boston Dimensions



## Min. Clearance to Combustibles

	1200	1700
A - side of unit to side wall	14"	14"
B - top of unit to bottom of 8" mantle	21"	24"
C - bottom to max. 3/4" combustible facing	17 1/2"	19 1/2"
D - side of unit to side facing (3/4 protrusion)	1"	1"
E - front of door to edge of floor protection	16" (18" CDN)	16" (18" CDN)
F - side of unit to side of floor protection	6" (8" CDN)	6" (8" CDN)



Measurements are approximate please consult owners manual for details.