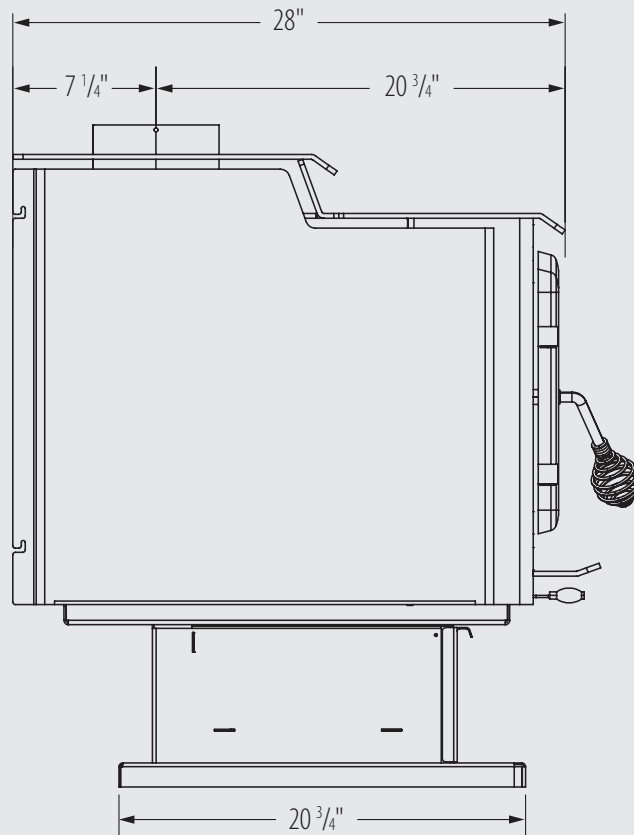
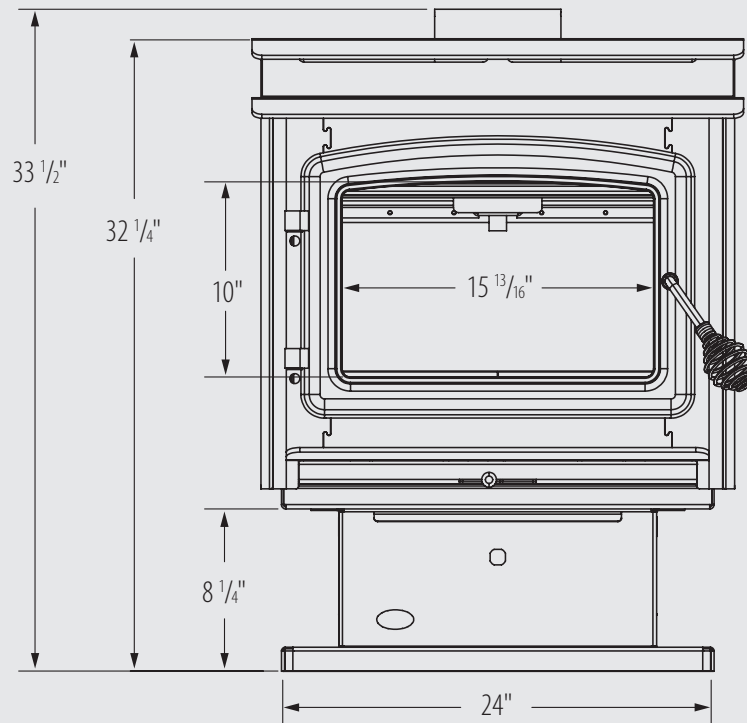


# 2100 Wood Stove Dimensions

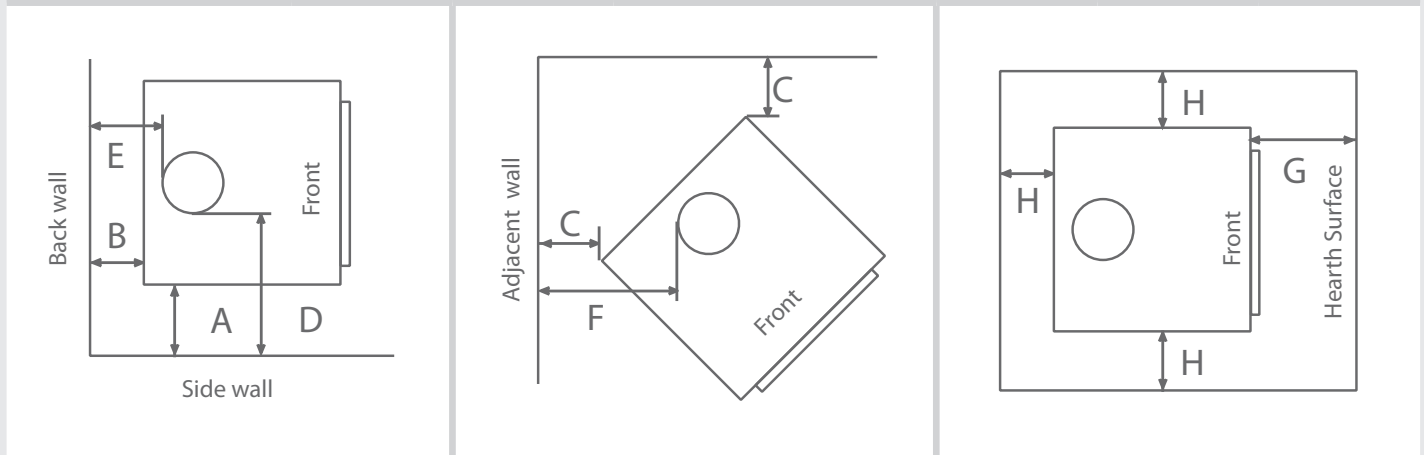


Measurements are approximate please consult owners manual for details.

# Freestanding Wood Stove Clearances

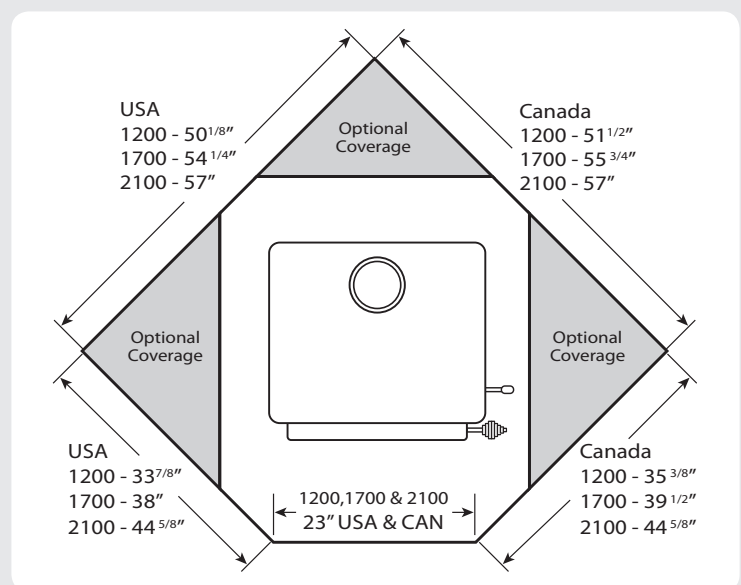
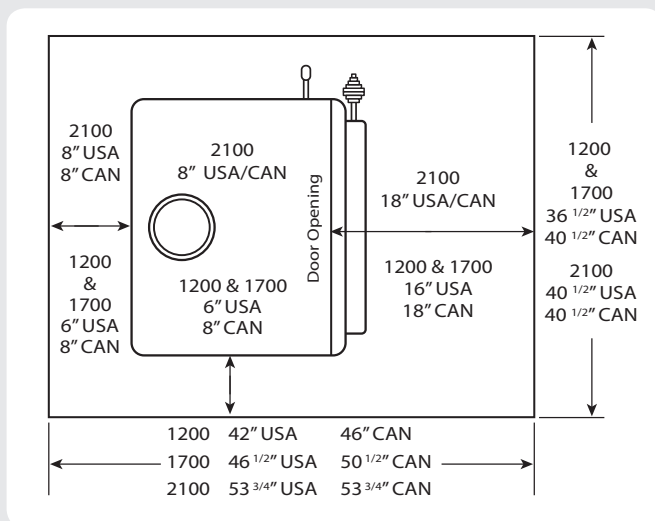
## Clearances from Combustibles

	1200 Single Wall Pipe	1200 Double Wall Pipe	1200 (flat top) Double Wall Pipe w/heat shield	1700 Single Wall Pipe	1700 Double Wall Pipe	1700 (flat top) Double Wall Pipe w/heat shield	2100 Single Wall Pipe
A - side wall to side of unit	13"	13"	13"	20"	13"	13"	22"
B - rear wall to back of unit	11"	10"	8"	12"	10"	7"	12"
C - adjacent wall to corner	9"	8"	6 1/2"	10"	8 1/2"	6"	8"
D - side wall to collar	22"	22"	22"	29"	22"	22"	31"
E - rear wall to collar	14"	13"	11"	15"	13"	10"	16 1/2"
F - adjacent wall to collar	17 1/2"	16 1/2"	15"	18 1/2"	17"	14 1/2"	19"
G - door opening to edge of hearth pad	16" (18"CDN)	16" (18"CDN)	16" (18"CDN)	16" (18"CDN)	16" (18"CDN)	16" (18"CDN)	18"
H - side/back of unit to edge of hearth pad	6" (8"CDN)	6" (8"CDN)	6" (8"CDN)	6" (8"CDN)	6" (8"CDN)	6" (8"CDN)	8"



\* approx. only - see owner's manual for exact figures

## Floor Protection



Measurements are approximate please consult owners manual for details.