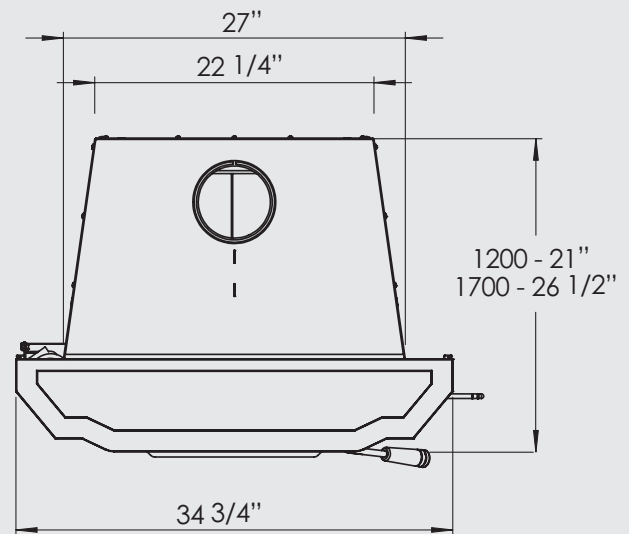
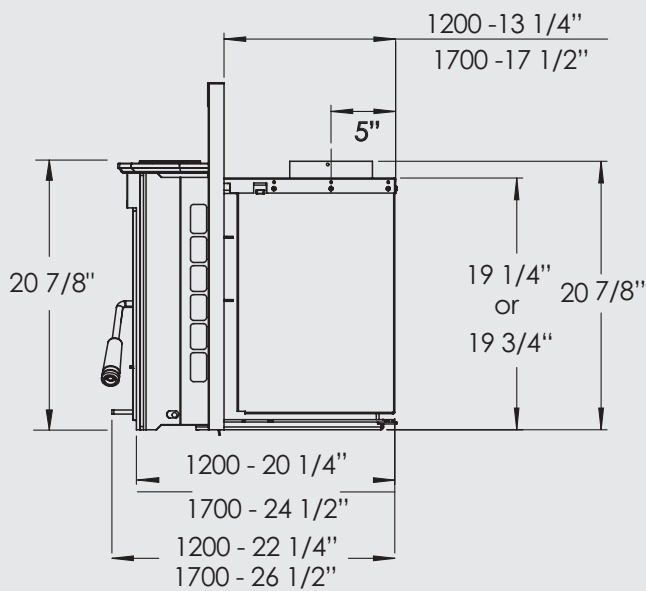
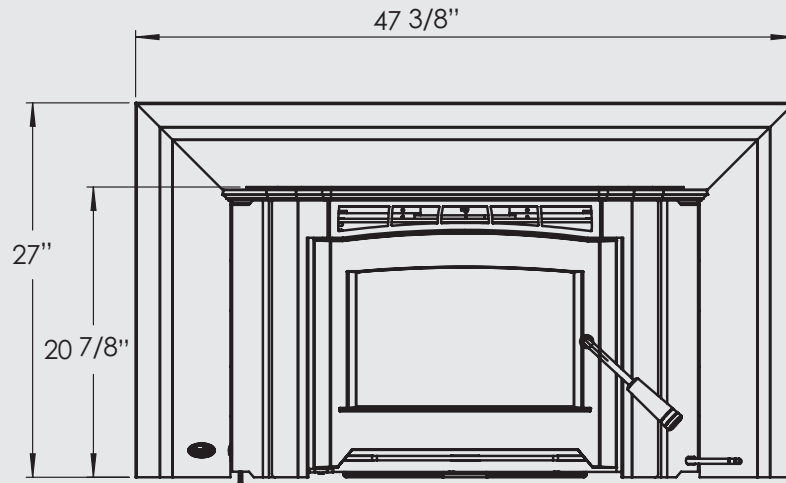
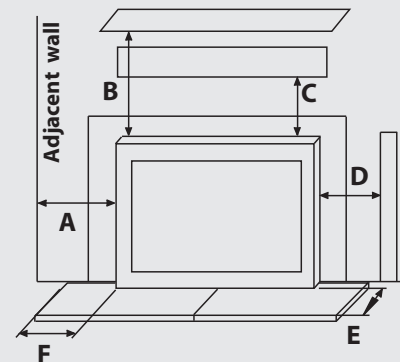


Venice Dimensions



Min. Clearance to Combustibles

| | 1200 | 1700 |
|--|---------------|---------------|
| A - side of unit to side wall | 14" | 14" |
| B - top of unit to bottom of 8" mantle | 21" | 24" |
| C - bottom to max. 3/4" combustible facing | 17 1/2" | 19 1/2" |
| D - side of unit to side facing (3/4 protrusion) | 1" | 1" |
| E - front of door to edge of floor protection | 16" (18" CDN) | 16" (18" CDN) |
| F - side of unit to side of floor protection | 6" (8" CDN) | 6" (8" CDN) |



Measurements are approximate please consult owners manual for details.