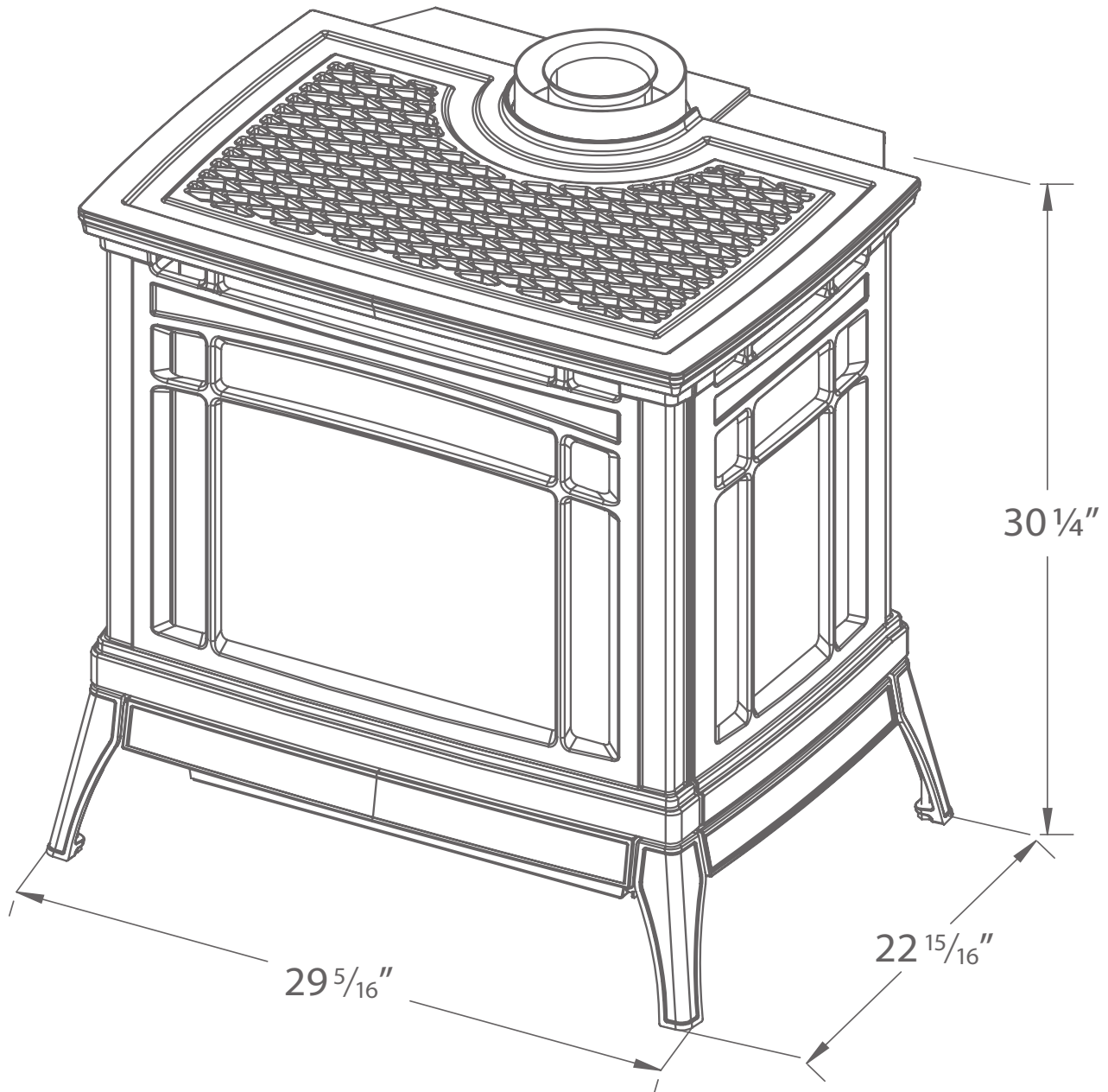


## Berkeley Dimensions



### Clearance to Combustables

Min. distance to the sides of the unit	12"
Min. distance to non-combustible surface behind	5"
Min. distance to non-combustible surface above	27 1/2"

*Please see owner's manual for more information*

*Measurements are approximate please consult owners manual for details.*