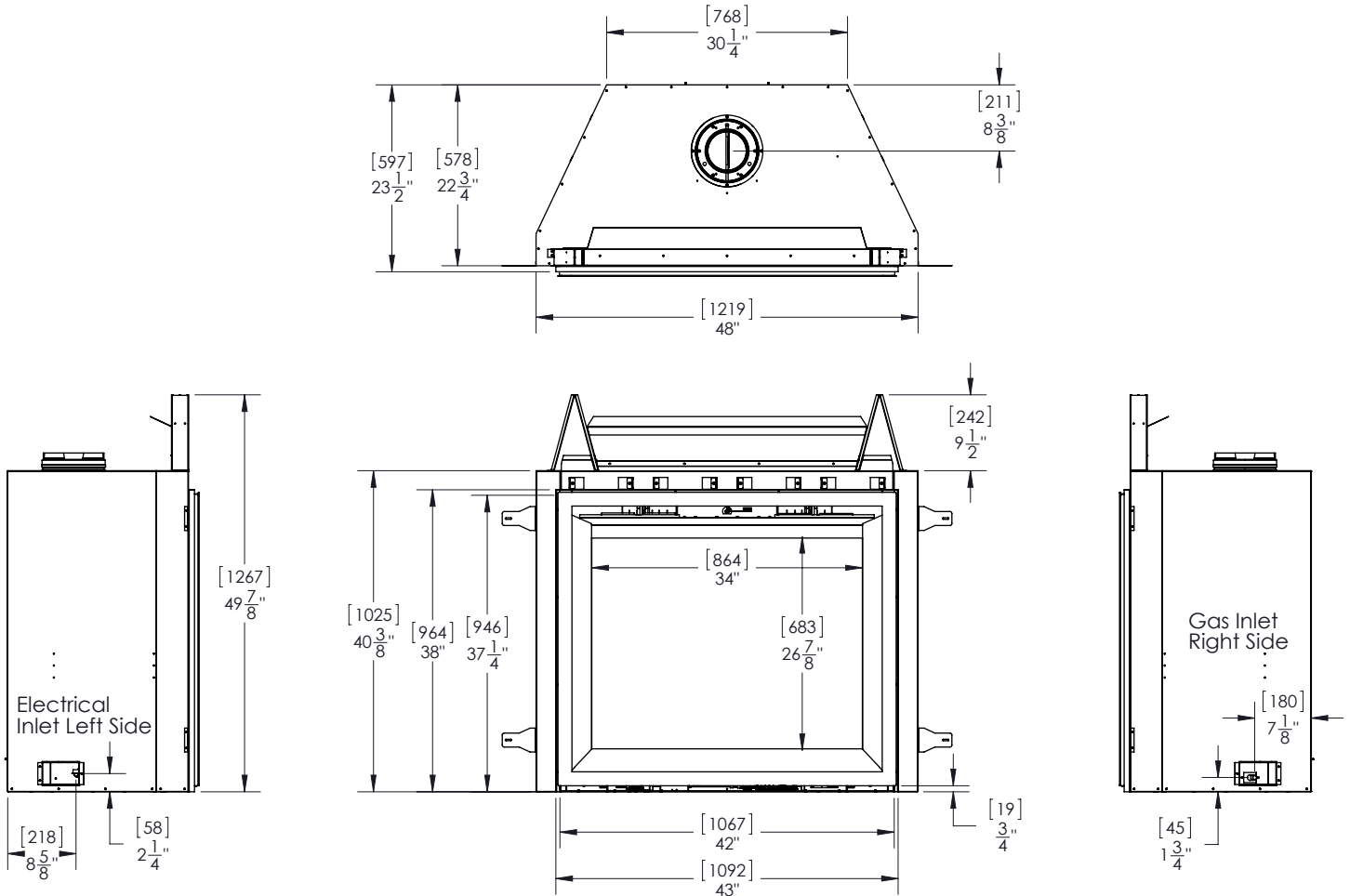


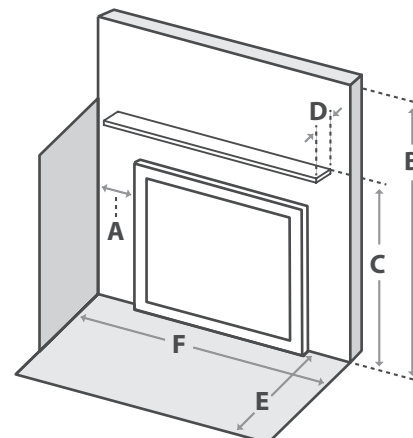
G42 DIMENSIONS



Clearance to Combustibles

G42

A - Side of unit to side wall	7"
B - Minimum clearance to ceiling	78"
C - Minimum clearance to mantle height	45 1/4"
D - Minimum clearance to mantle depth	4"
E - Front of door to edge of floor protection	0"
F - Minimum clearance to alcove width	57"



* Turn down based on AFUE efficiencies on low.

** Steady state rating based on conventional venting configuration.

‡ Efficiency based on the P4 measured efficiency rating of the IPI models