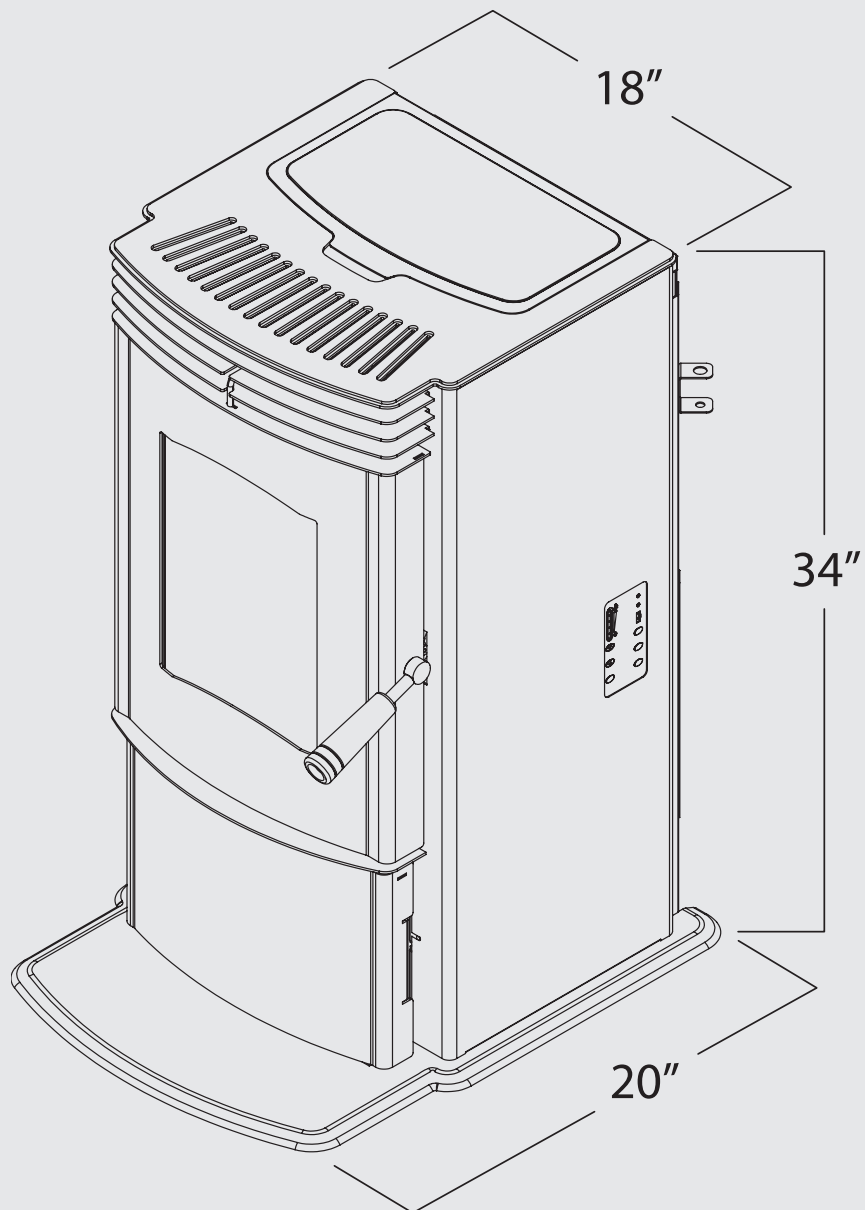


## Mini Dimensions



### Minimum Clearance to Combustibles

	Mini
Minimum distance to the stove's sides	8"
Minimum distance behind the stove	4"
Minimum distance above the stove	48"
Minimum distance corner to wall	3"

Measurements are approximate please consult owners manual for details.