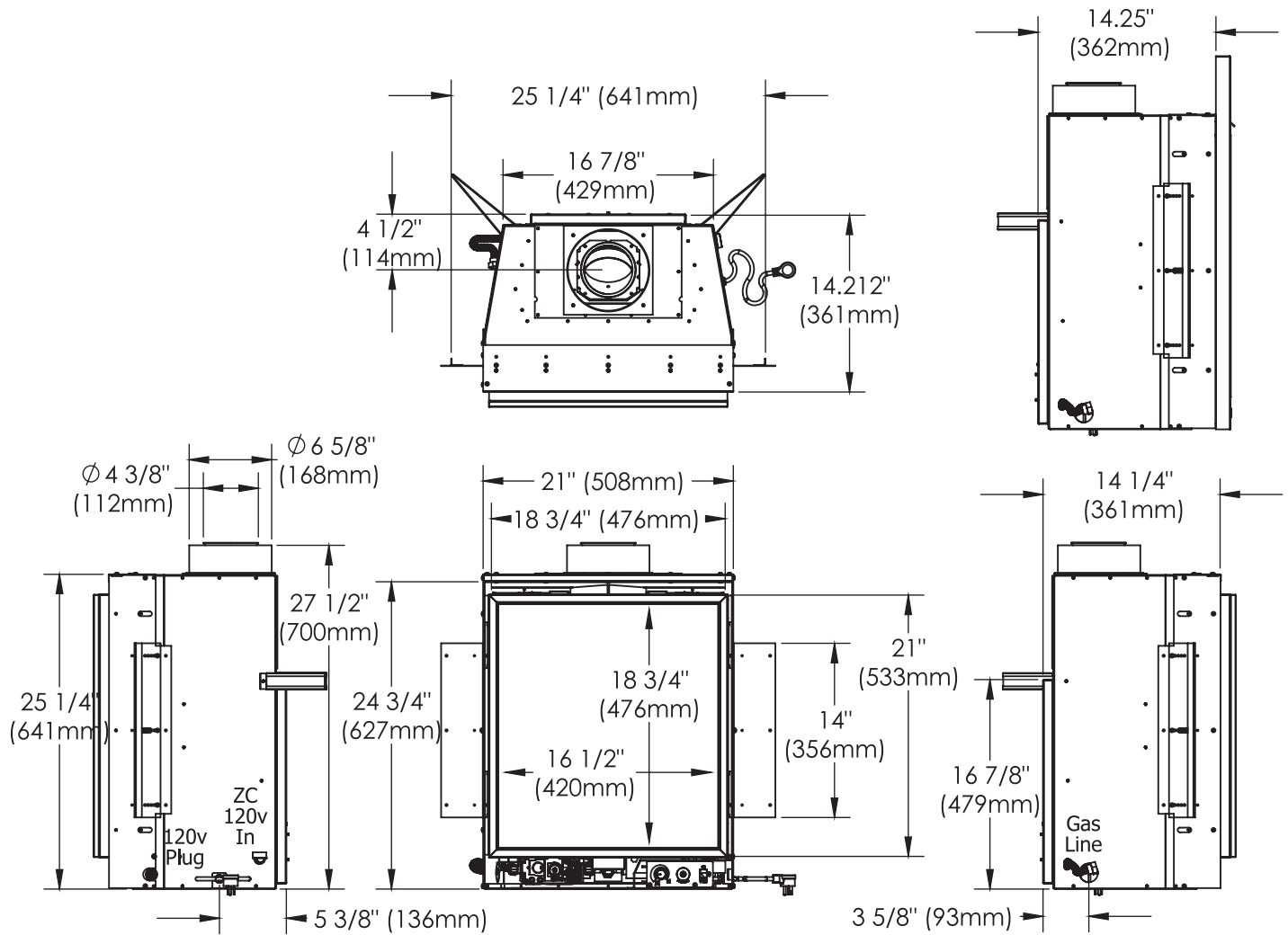
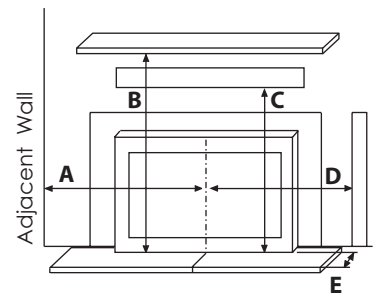


# Q1 Insert Dimensions



## Clearance to Combustibles

|   | Q1      | E20     | E30 | E33 | E44     |
|---|---------|---------|-----|-----|---------|
| A - center of unit to side wall                 | 16 1/2" | 19 1/2" | 21" | 24" | 23 1/2" |
| B - bottom of unit to bottom of 12" mantle      | 41"     | 39 3/4" | 36" | 36" | 40"     |
| C - unit bottom to max. 3/4" combustible facing | 35 1/4" | 37 1/2" | 30" | 30" | 40"     |
| D - center of unit to side facing               | 10"     | 16 1/2" | 22" | 23" | 23"     |
| E - front of door to edge of floor protection   | 12"     | 13"     | 16" | 16" | 16"     |



\*Based on a minimum 1/2" raised hearth (18" flush).

Measurements are approximate please consult owners manual for details.