



Q3 FIREPLACE

Installation Reference Guide

REFER TO OWNER'S MANUAL FOR SPECIFIC INSTALLATION REQUIREMENTS AND ADDITIONAL PRODUCT INSTRUCTIONS

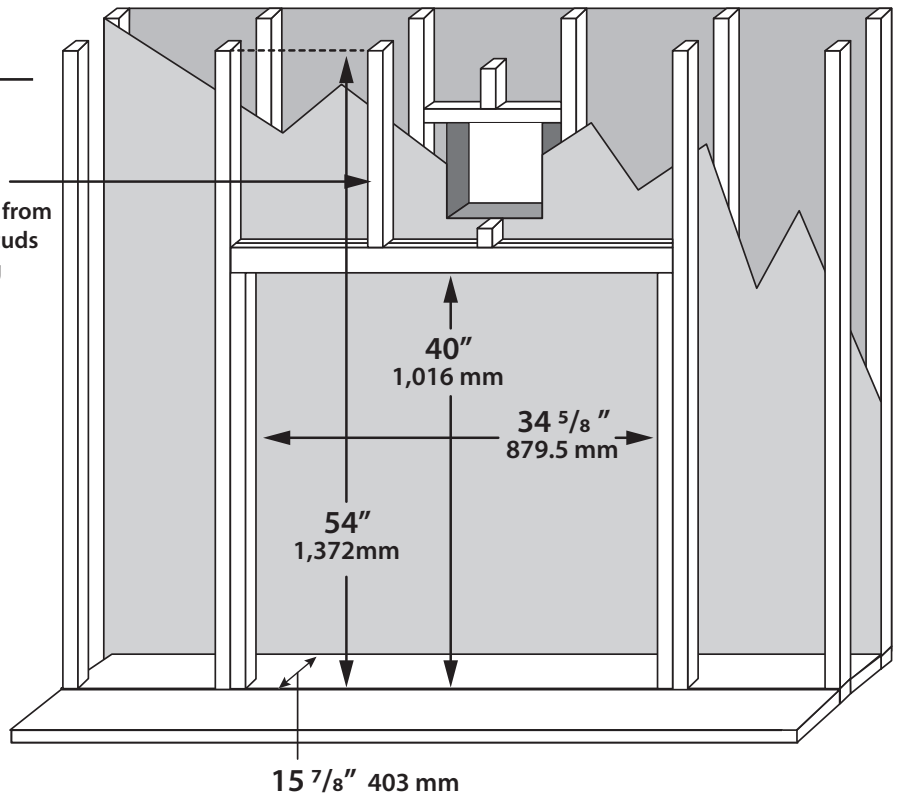
Minimum Framing Dimensions

Note: When framing the unit, core must be taken to consider the final floor thickness, the bottom of the fireplace must sit flush with the finished floor to ensure proper fit of the surround components

Depth	18"	457 mm
Width	34 5/8"	879.5 mm
Header Height	43 1/2"	1105 mm
Enclosure Ceiling (Top Vent)	*82"	2083 mm
Enclosure Ceiling (Rear Vent)	43 1/2"	1105 mm

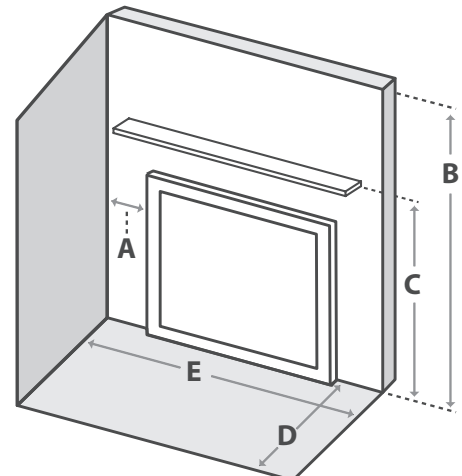
*Minimum dimension with only an elbow off the top. Any additional vertical rise added will increase the enclosure height accordingly.

1" 25mm
Clearance from framing studs to venting

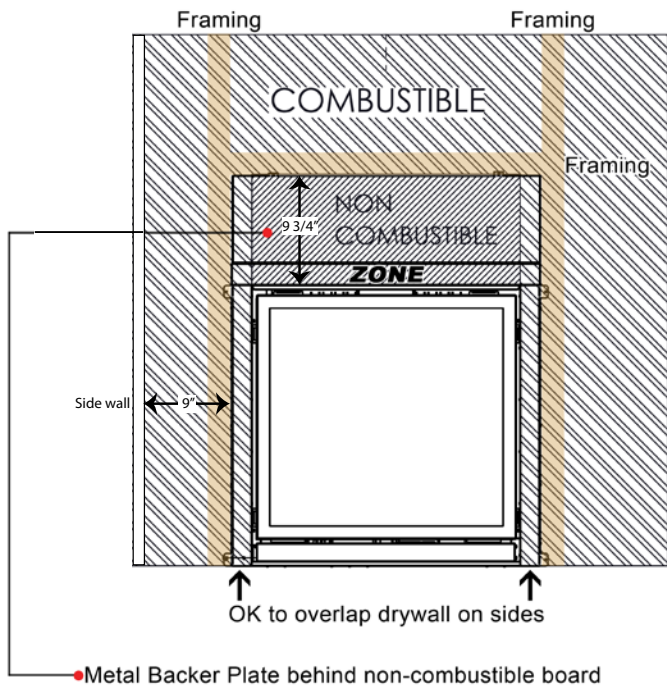


Clearance to Combustibles

A - Side of unit to side wall	9"	229 mm
B - Minimum clearance to enclosure ceiling (Top Vent)	82"	2,083 mm
B - Minimum clearance to enclosure ceiling (Rear Vent)	43 1/2"	1,105 mm
C - Minimum clearance to mantel height	See Chart	See Chart
D - Front of door to edge of floor protection	0"	0 mm
E - Minimum alcove width	52 7/16"	1,332 mm



Non-Combustible Board Placement



Minimum Venting Requirements

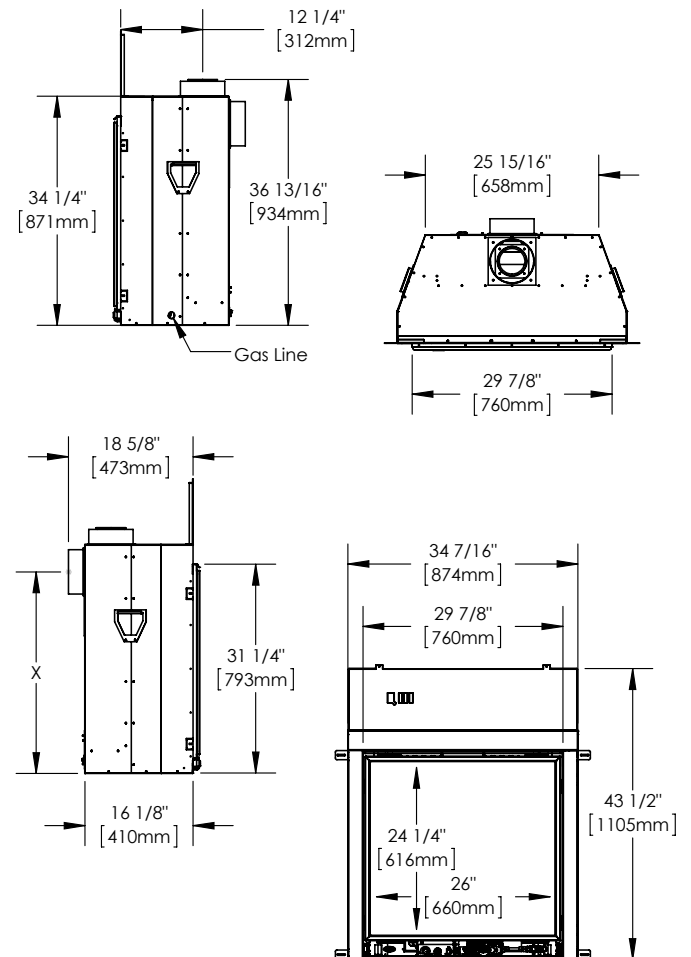
A 1" (25 mm) clearance to combustibles must be maintained around any vertical vent pipe. Around a horizontal vent pipe, the clearance to combustibles should be 2" (51 mm) above and 1½" (38 mm) on the sides and bottom. When combustible materials are directly above a 90° elbow, 3" (76 mm) of clearance are necessary.

	Vertical Pipe to the Side Walls	Horizontal Pipe to the Sides & Bottom	Above an Elbow Above the Unit	Above an Elbow Not Above the Unit	Above Horizontal Vent Pipe	Wall Frame 8" (203mm) or less
Hard Pipe	1" 25.4 mm	1½" 38.1 mm	3" 76.2 mm	3" 76.2 mm	2" 51 mm	10"x10" 25x25cm

The configuration of the venting pipes depends on the locations of walls, ceilings, and studs. However, the pipes cannot be of arbitrary length and arrangement. Because the length of the vertical and horizontal sections dramatically affects the burning efficiency of the fireplace, certain guidelines have been set in Initial Installation - Allowable Co-Axial Vent Configurations. Venting terminals can not be recessed into a wall or siding.

WARNING: This gas appliance must not be connected to a chimney flue serving a separate solid-burning appliances.

Fireplace Dimensions



Mantel Projections

Note: Mantle height dimensions are based from the bottom of the appliance.

