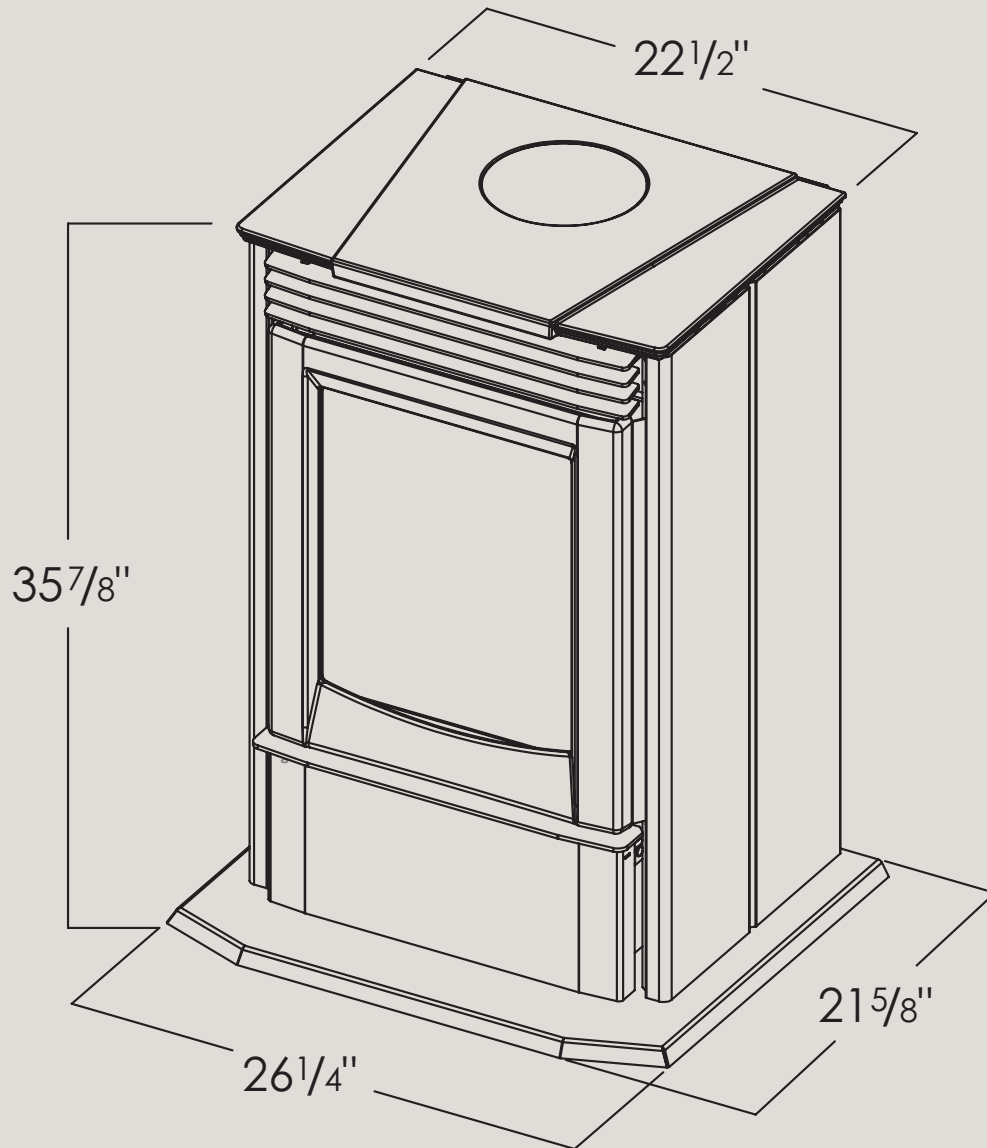


S30 Dimensions



Clearance to Combustibles

Min. distance to the sides of the unit	$10\frac{3}{4}$ "
Min. distance to non-combustible surface behind the unit	4"
Min. distance to non-combustible surface from above the unit	12"

Please see owner's manual for more information

Measurements are approximate please consult owners manual for details.