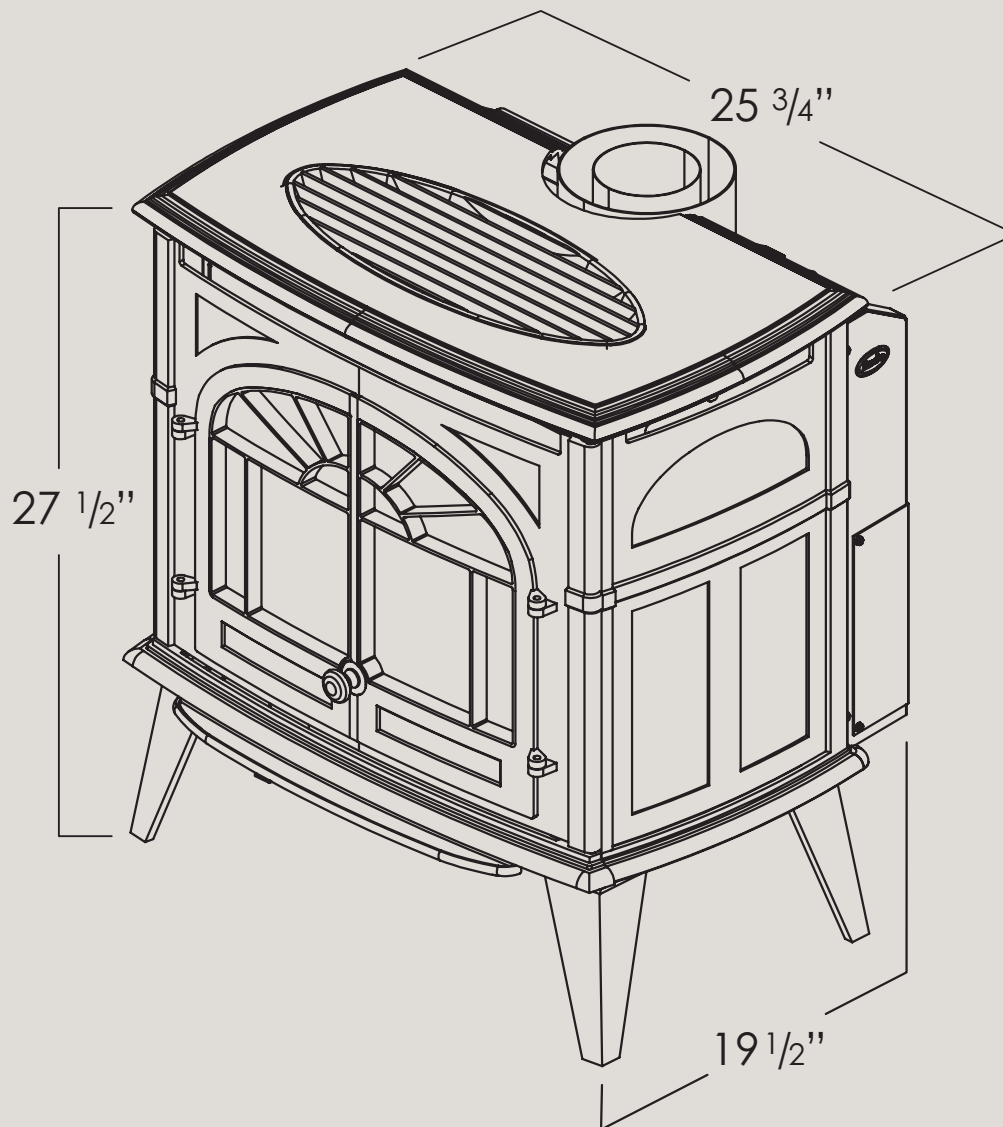


Westport Dimensions



Minimum Clearance to Combustibles

Westport

Min. distance to the sides of the unit

11"

Min. non-combustible surface behind the unit

2.5"

Min. non-combustible surface from above the unit

42"

Measurements are approximate please consult owners manual for details.