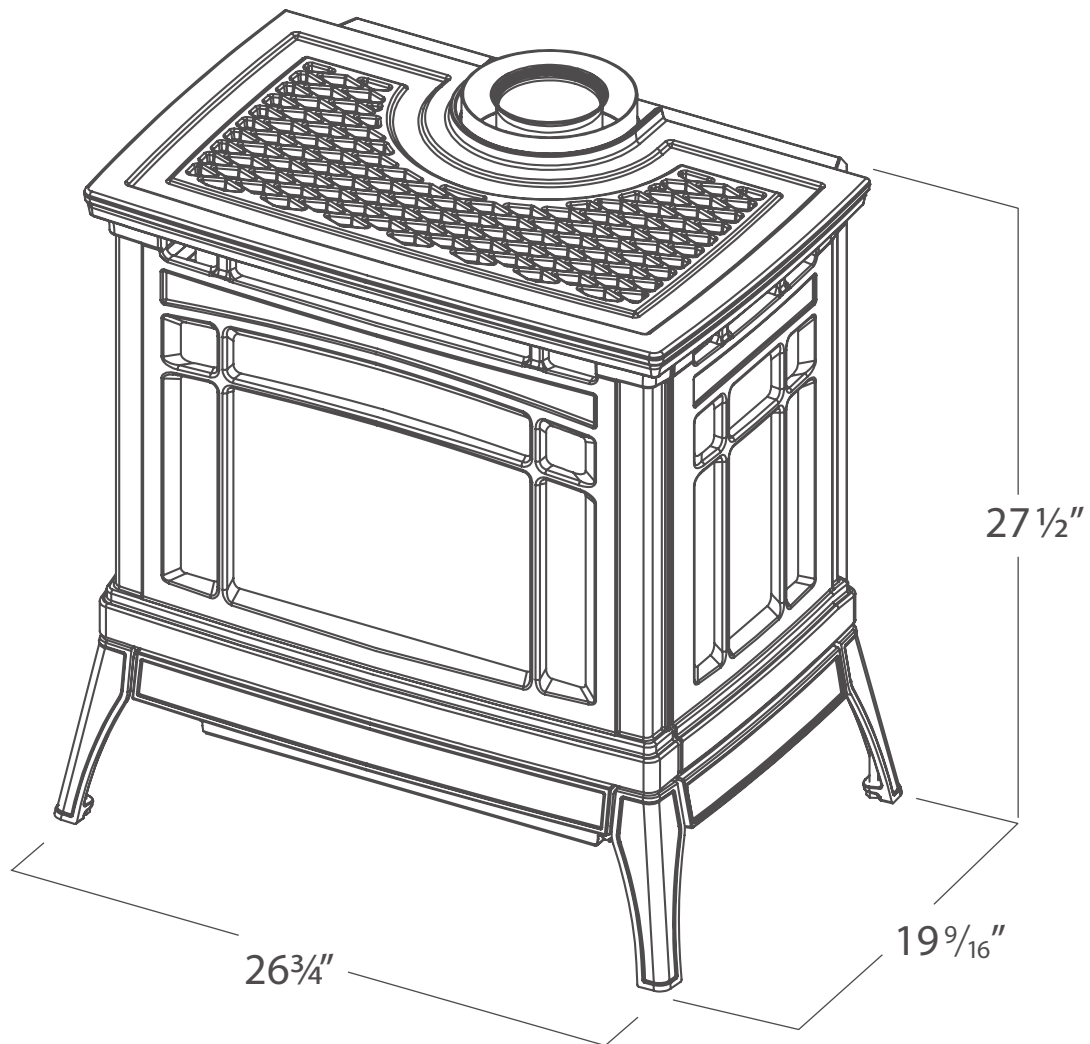


# Westley Dimensions



Measurements are approximate please consult owners manual for details.