



SHERWOOD INDUSTRIES IS AN ENVIRONMENTALLY RESPONSIBLE COMPANY. THIS MANUAL IS PRINTED ON RECYCLED PAPER.  
PLEASE KEEP THESE INSTRUCTIONS FOR FUTURE REFERENCE



PELLET STOVE

# EF THERMO 28

## OWNER'S MANUAL

CE<sub>2008</sub>



**PLEASE READ THIS ENTIRE MANUAL BEFORE INSTALLATION AND USE OF THIS PELLET-BURNING ROOM HEATER. FAILURE TO FOLLOW THESE INSTRUCTIONS COULD RESULT IN PROPERTY DAMAGE, BODILY INJURY OR EVEN DEATH.**

Contact your building or fire officials about restrictions and installation inspection requirements in your area.

50-877

# TABLE OF CONTENTS

---

Introduction.....	3
Rating Label Location.....	3
Pellet Quality.....	3
Safety Warnings & Recommendations.....	4
Specifications.....	6
Water Specifications.....	6
Appliance Dimensions.....	7
Operating Instructions.....	8
Control Board Functions.....	8
Turning Pellet Stove On.....	8
Turning Off Your Pellet Stove.....	9
Slider/Damper Operation.....	9
Routine Cleaning and Maintenance.....	10
Troubleshooting.....	13
Installation Data Sheet.....	15

# INTRODUCTION

---

\* This manual is designed for the home owner in conjunction with the technical manual. \*

## **RATING LABEL LOCATION:**

---

The rating label is located on the inside of the hopper lid.

## **PELLET QUALITY:**

---

**Pellet quality is important, please read the following:**

**Your Enviro pellet stove has been designed to burn 6mm dia wood pellets only. DO NOT use this appliance as an incinerator. DO NOT use unsuitable and non recommended fuels, including liquid fuels as this will void any warranties stated in this manual.**

**The performance of your pellet stove is greatly affected by the type and quality of wood pellets being burned. As the heat output of various quality wood pellets differs, so will the performance and heat output of the pellet stove.**

**CAUTION:** It is important to select and use only pellets that are dry and free of dirt or any impurities such as high salt content. Dirty fuel will adversely affect the operation and performance of the unit and will void the warranty. Ask your dealer for a recommended pellet type.

**ASH:** The ash content of the fuel and operation of your stove will directly determine the frequency of cleaning. The use of high ash fuels may result in the stove needing to be cleaned daily. A low ash fuel may allow longer intervals between cleaning.

**CLINKERING:** [clinkers are silica (sand) or other impurities in the fuel that will form a hard mass during the burning process]. This hard mass will block the air flow through the Burn Pot Liner and affect the performance of the stove. Any fuel, even approved types, may clinker. Check the Burn-Pot Liner daily to ensure that the holes are not blocked with clinkers. If they become blocked, remove the liner (when the unit is cold) and clean/scrape the clinkers out. Clean the holes with a small pointed object if required. Refer to the section Routine Cleaning and Maintenance.

**PELLET FEED RATES:** Due to different fuel densities and sizes, pellet feed rates may vary. This may require an adjustment to the slider damper setting or to the auger feed trim setting on low.

Since Sherwood Industries Ltd. has no control over the quality of pellets that you use, we assume no liability for your choice in wood pellets.

**FILLING FUEL HOPPER:** Open lid on top of unit, check hopper for foreign objects, empty the bag into the hopper, **DO NOT OVER FILL**, and ensure hopper lid closes completely.

**Store pellets at least 36" (1 m) away from the pellet stove.**

**WARNING: Parts of the appliance, especially the external surfaces, will be hot to touch when in operation so use due care and the fire gloves provided.**

**IMPORTANT:** This unit must be connectect to an 80mm stainless steel vent pipe exhausting outside the building.

# **SAFETY WARNINGS & RECOMMENDATIONS**

---

**Please read this entire Owner's Manual before installing or operating your ENVIRO Pellet Stove. Failure to follow these instructions may result in property damage, bodily injury or even death. Any unauthorized modification of the appliance or use of replacement parts not recommended by the manufacturer is prohibited. All national and local regulations and European Standards shall be complied with when operating this appliance.**

**Caution: Do not connect to any air distribution duct or system.**

**IMPORTANT: The heated water from this unit is not for human consumption, but for heating potable water through heat exchange only.**

**Warning:** Never place wood, paper, furniture, drapes or other combustible materials within 80cm (31½") of the front of the unit, 20cm (7⅞") from each side, and 10cm (4") from the back of the unit. Do not let children or pets touch it when it is hot.

To prevent the possibility of a fire, ensure that the appliance is properly installed by adhering to the installation instructions. An ENVIRO dealer will be happy to assist you in obtaining information with regards to your local building codes and installation restrictions.

**FIRE EXTINGUISHER AND SMOKE DETECTION:** All homes with a pellet burning stove should have at least one fire extinguisher in a central location known to all in the household. Smoke detectors should be installed and maintained in the room containing the stove. If it sounds the alarm, correct the cause but do not deactivate. You may choose to relocate the smoke detection device within the room; **DO NOT REMOVE THE SMOKE DETECTOR FROM THE ROOM.**

**CHIMNEY OR RUN AWAY FIRE:** Call local fire department. Close the draft fully. Extinguish the fire in the burn pot liner with a cup of water and close the door. Examine the flue pipes, chimney, attic, and roof of the house, to see if any part has become hot enough to catch fire. If necessary, spray with fire extinguisher or water from the garden hose. **IMPORTANT: Do not operate the stove again until you are certain the chimney and its lining have not been damaged.**

**IN THE EVENT OF A MALFUNCTION:** Turn the water heater feed OFF. Push the ON/OFF button located on the control panel. Have the water heater inspected and serviced by a qualified service technician.

**OPERATION:** The door and ash drawer must be kept closed when the unit is in operation to prevent fume spillage and for proper and safe operation of the pellet stove. Also ensure all gaskets on the door are checked and replaced when necessary. **Do not operate at water pressure below 0.5 bar.**

**FUEL:** This pellet stove is designed and approved to only burn wood pellet fuel with up to 3% ash content. Dirty fuel will adversely affect the operation and performance of the unit and may void the warranty. Check with your dealer for fuel recommendations. Never use gasoline, gasoline-type lantern fuel, kerosene, or similar liquids to start the fire. Keep all such liquids well away from the pellet stove while it is in use.

**THE USE OF CORDWOOD IS PROHIBITED BY LAW.**

**SOOT:** Operation of the stove with insufficient combustion air will result in the formation of soot which will collect on the glass, the heat exchanger, the exhaust vent system, and may stain the outside of the house. This is a dangerous situation and is inefficient. Frequently check your stove and adjust the slider/damper as needed to ensure proper combustion. **See: "SLIDER/DAMPER SETTING".**

**CLEANING:** There will be some build up of fly ash and small amounts of creosote in the exhaust. This will vary due to the ash content of the fuel used and the operation of the stove. It is advisable to inspect and clean the exhaust vent semi-annually or every two tons of pellets.

The appliance, flue gas connector and the chimney flue require regular cleaning. Check them for blockage prior to re-lighting after a prolonged shut down period. Have your unit and venting checked/cleaned/serviced annually by a qualified service technician to prevent excess build-up of dangerous creosote deposits as well as to ensure proper operation and efficiency of this appliance.

Do not use abrasive cleaners to clean the surface or any part of the stove.

# **SAFETY WARNINGS & RECOMMENDATIONS**

**ASHES:** Disposed ashes should be placed in a metal container with a tight fitting lid. The closed container of ashes should be on a non-combustible surface, well away from all combustible materials pending final disposal. If the ashes are disposed of by burial in soil or otherwise locally dispensed, they should be retained in the closed container until all cinders have thoroughly cooled before disposing of them.

**ELECTRICAL: The use of a surge protected power bar is recommended.** The unit must be grounded. The grounded electrical cord should be connected to a standard 220-240 volts (3.3 Amps), 50 hertz electrical outlet and also must be accessible. If this power cord should become damaged, a replacement power cord must be purchased from the manufacturer or a qualified ENVIRO dealer. Be careful that the electrical cord is not trapped under the appliance and that it is clear of any hot surfaces or sharp edges. This unit's maximum power requirement is 800 watts.

**GLASS:** Do not abuse the glass by striking or slamming the door. Do not attempt to operate the stove with broken glass. The stove uses ceramic glass. Replacement glass must be purchased from an ENVIRO dealer. Do not attempt to open the door and clean the glass while the unit is in operation or if glass is hot. To clean the glass, use a soft cotton cloth and mild window cleaner, gas or wood stove glass cleaner, or take a damp paper towel and dip into the fly ash. This is a very mild abrasive and will not damage the glass.

**KEEP ASH PAN FREE OF RAW FUEL.** DO NOT PLACE UNBURNED OR NEW PELLET FUEL IN ASH PAN. A fire in the ash pan may occur.

**INSTALLATION:** Contact your local building or fire official to obtain a permit and any information on installation restrictions and inspection requirements for your area.

It is recommended that the unit be secured into its position in order to avoid any displacement.

Be sure to maintain the structural integrity of your home when passing a vent through walls, ceilings, or roofs. It is recommended that the unit be secured into its position in order to avoid any displacement. This appliance must be installed on a floor with an adequate load bearing capacity. If an existing construction doesn't meet these prerequisite suitable measures (e.g. load distributing plate) must be taken to achieve it.

DO NOT INSTALL A FLUE DAMPER IN THE EXHAUST VENTING SYSTEM OF THIS UNIT.  
DO NOT CONNECT THIS UNIT TO A CHIMNEY FLUE SERVING ANOTHER APPLIANCE.

**FRESH AIR:** Outside Fresh Air intake is strongly recommended. Failure to install intake air may result in the unit smoking during power failures as well as improper combustion. Fresh Air must be connected to all units installed in "Air Tight Homes" or where required by local codes.

Consider all large air moving devices when installing your unit and provide room air accordingly. NOTE: Extractor fans when operating in the same room or space as the appliance, may cause problems. Limited air for combustion may result in poor performance, smoking and other side effects of poor combustion.

The stove's exhaust system works with negative combustion chamber pressure and a slightly positive chimney pressure. It is very important to ensure that the exhaust system be sealed and airtight. The ash pan and viewing door must be locked securely for proper and safe operation of the pellet stove.

Do not burn with insufficient combustion air. A periodic check is recommended to ensure proper combustion air is admitted to the combustion chamber. Setting the proper combustion air is achieved by adjusting the slider damper located on the left side of the stove.

Minor soot or creosote may accumulate when the stove is operated under incorrect conditions such as an extremely rich burn (black tipped, lazy orange flames).

If you have any questions with regards to your stove or the above-mentioned information, please feel free to contact your local dealer for further clarification and comments.

**SINCE SHERWOOD INDUSTRIES LTD. HAS NO CONTROL OVER THE INSTALLATION OF YOUR STOVE, SHERWOOD INDUSTRIES LTD. GRANTS NO WARRANTY IMPLIED OR STATED FOR THE INSTALLATION OR MAINTENANCE OF YOUR STOVE. THEREFORE, SHERWOOD INDUSTRIES LTD. ASSUMES NO RESPONSIBILITY FOR ANY CONSEQUENTIAL DAMAGE(S).**

**SAVE THIS INSTRUCTION MANUAL FOR FUTURE REFERENCE**

# SPECIFICATIONS

## WATER SPECIFICATIONS:

Necessary draught	34.8 Pa (0.348 mbar)
Mass of Appliance	157 Kg
Minimum required load bearing capacity of the floor	247 Kg
Water content	17.3 liters
Exhaust gas temperature at nominal heat output	230°C
Exhaust gas temperature at minimum heat output	120°C
Exhaust mass flow at nominal heat output	7.5 g/s
Exhaust mass flow at minimum heat output	8.0 g/s
Flue pipe diameter	80 mm
Space heating output	to be determined by Lab Testing KW
Water heating output	to be determined by Lab Testing KW
Nominal heating output	25 kW
Heat output range	2.5 kW - 25 kW
Combustion period at Q <sub>N</sub>	12 hours
Setting range for the temperature controller	30°C - 75°C
Fuel (type, size, water content)	Wood pellets, 6 mm dia. maximum, <8% W.C.
Hopper capacity	77.75 liters (55 Kg)
Hopper filing opening	440 mm x 320 mm
Auxiliary power requirements	800 W
Test pressure	4.5 bar
Operating pressure	0.5 bar - 2.5 bar
Maximum water pressure	3.0 bar
Maximum water temperature	90°C
Burn Rate	1.0 - 4.5 Kg/hr
Maximum Power Requirement	800 watts
Voltage Rating Range	220-240 volt at 50 Hz
Amperage Rating	3.3 Amp

Table 1

# SPECIFICATIONS

## APPLIANCE DIMENSIONS:

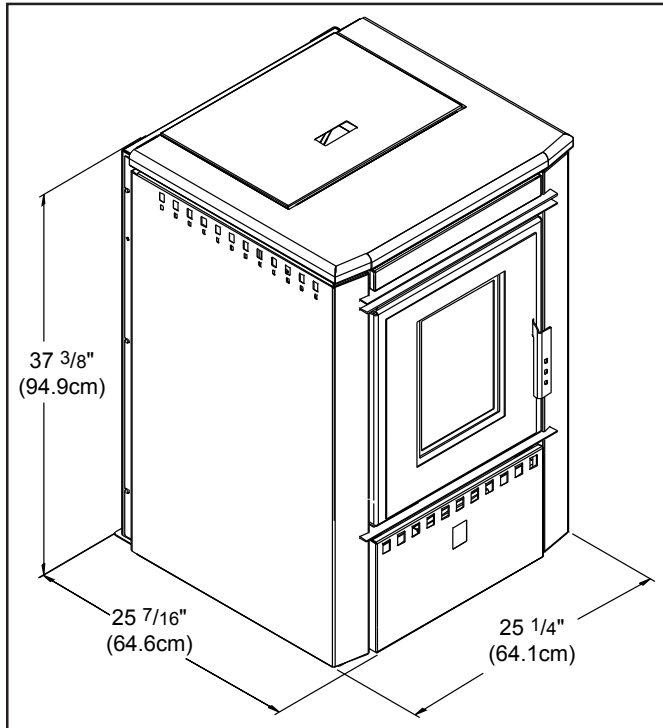


Figure 1

### UNIT DIMENSIONS

HEIGHT:  $37 \frac{3}{8}$ " (949 mm)

WIDTH:  $25 \frac{1}{4}$ " (641 mm)

DEPTH:  $25 \frac{7}{16}$ " (646 mm)

### HEARTH PAD:

WIDTH:  $25 \frac{1}{4}$ " (641 mm)

DEPTH:  $31 \frac{3}{16}$ " (793 mm)

[6" (152.4 mm) in front of unit]

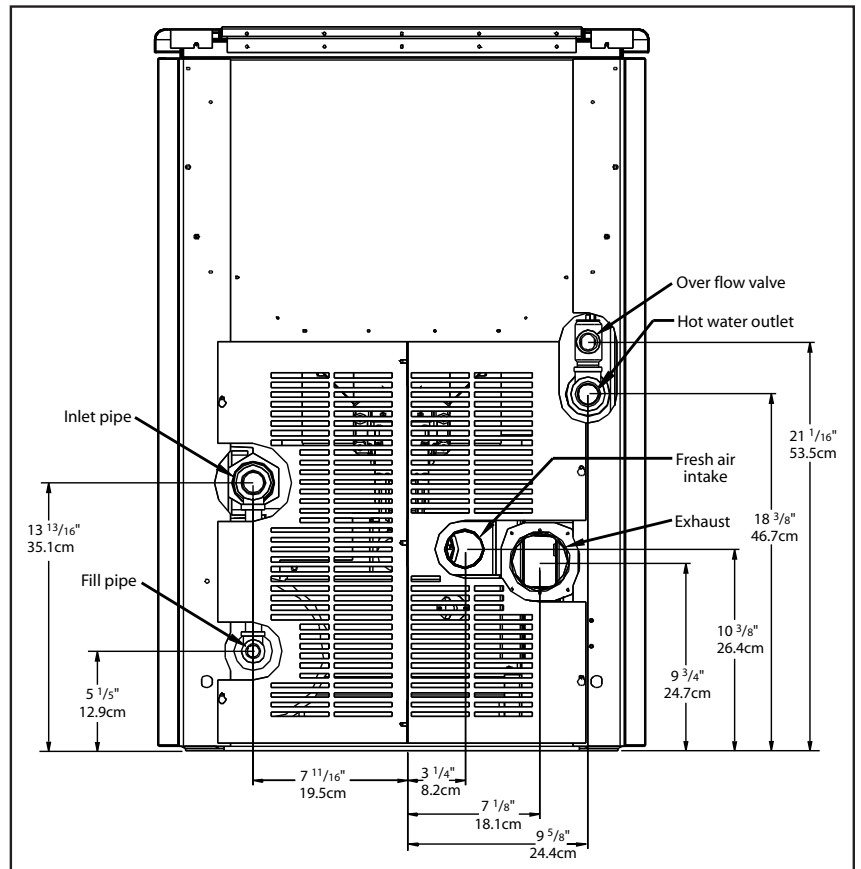


Figure 2

# OPERATING INSTRUCTIONS

## CONTROL BOARD FUNCTIONS:

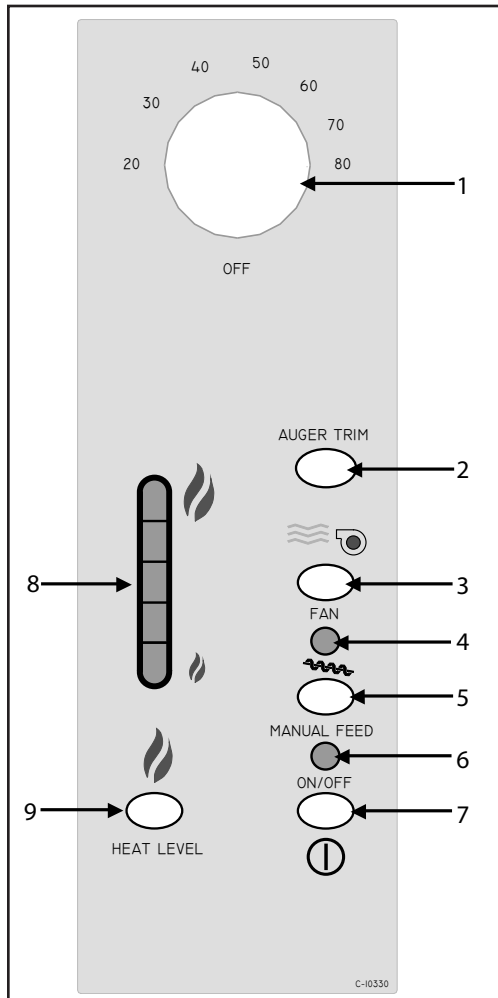


Figure 3

**1. WATER TEMPERATURE DIAL:** Read in degrees Celsius

**2. AUGER TRIM**

**3. CONVECTION BLOWER CONTROL**

**4. AUGER PULSE LIGHT:** The light flashes in conjunction with the auger.

**5. MANUAL AUGER FEED:** If the unit runs out of fuel, this button can be used to "prime the auger system". This button will turn off after 60 seconds and then must be released and pressed again.

**6. SYSTEM LIGHT:** If flashing, the board is under control. If the light is solid, setting can be altered.

**7. ON/OFF BUTTON**

**8. HEAT OUTPUT INDICATOR:** Shows the present heat output setting.

**9. HEAT LEVEL ADJUSTMENT:** When pressed, will change the heat setting of the unit from low to high.

**NOTE:** This unit is capable of continuous operation if the heat demand is high enough to require the unit to stay on.

## TURNING PELLET STOVE ON:

Ensure the hopper has sufficient pellet fuel to start the unit.

1. Set water temperature, using the rotary dial located above the feed controls.
2. Press the ON / OFF button to start the appliance. System light will flash, auger light will flash with the pulse of the auger, heat level indicator will show the start up heat setting with no control for the operator until the system light becomes solid.
3. If this is the first time the unit has been started or the unit has run out of fuel, press the Manual Auger Feed button and hold down for 60 seconds. This will help "prime the auger," deliver fuel to the burn pot, and help light the unit more quickly.
4. When a fire has been established, the system light will become solid and the auger light will continue to flash. The heat output button can be pressed to achieve the desired heat setting.
5. The convection blower (room air blower) will be on, the speed of this blower is controlled by the setting set on the heat output indicator. The convection blower can be turned **OFF** by depressing the convection blower control button. It is recommended that the convection blower be left on at all times.



# OPERATING INSTRUCTIONS

6. When unit is operating on LOW the unit can be adjusted for poorer quality fuels. By depressing the Auger Trim button, WHEN THE UNIT IS ON LOW, the ON time the auger pulses can be changed from 2 seconds ON to 4 seconds ON.

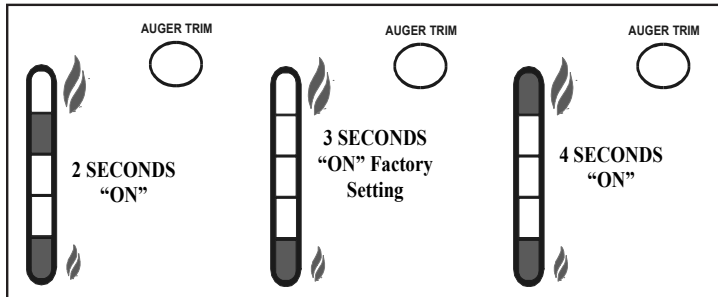


Figure 4

These settings can be used if the unit does not keep a fire going on low (poor quality fuel). These settings could also be used if the low setting is too hot or cold for the surrounding area.

7. Set water and/or room thermostats to desired temperature(s).

## TURNING OFF YOUR PELLET STOVE:

To turn the unit OFF, simply press the ON / OFF button. All LED lights will go out. This will stop the feed of pellets. The blowers will continue to operate and cool the stove. When cool enough, the stove will shut down.

**NOTE:** During the 15 minute start-up sequence the stove can not be turned off by turning the water temperature dial down. If the dial is turned down, the stove will run through its complete start-up sequence and shut down after the stove has lit. The unit can be shut-off manually at this time by pressing the ON/OFF button.

## SLIDER/DAMPER OPERATION:

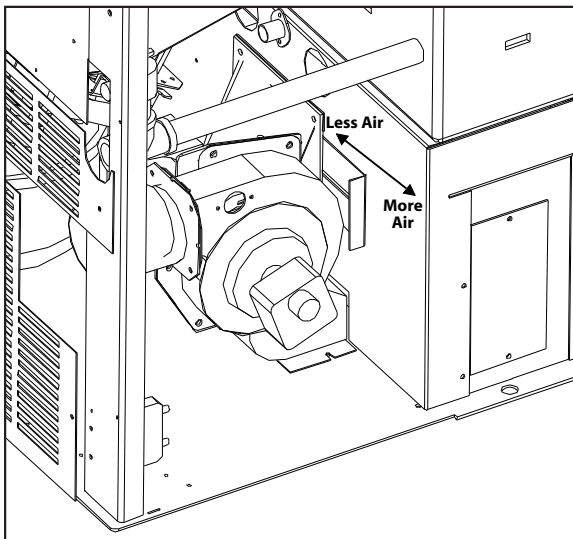


Figure 5



Figure 6

This is used to regulate the airflow through the pellet stove.

- On the low heat output settings, push the slider all the way in (see Figure 5).
- On the high heat output pull the slider out or until a good fire is achieved. A good fire (see Figure 6) is in between a fire with lazy black tipped flames and a forced fire (very quick, shorter flames). A good fire is the most efficient and will have a bright and active flame.
- Slider should be set at a hot magnehelic reading of 0.14" W.C. (34 Pa) for firebox vacuum.

# ROUTINE CLEANING AND MAINTENANCE

The following list of components should be inspected and maintained routinely to ensure that the appliance is operating at its' optimum and giving you excellent heat value:

## TOOLS REQUIRED TO CLEAN UNIT:

Torx T-20 Screwdriver, 5/16" wrench or socket, 75 mm and 50 mm Brush, Soft Cloth, Vacuum with fine filter bag.

<u>2-3 DAYS/WEEKLY</u>	<u>1/2 SEASON or 1 TON OF FUEL</u>
Ash Pan and Door Gaskets	Exhaust Vent
Above Heat Exchanger Tubes	Fresh Air Intake Tube
Burn Pot and Liner	Blower Mechanisms
Ash Pan	Inside Heat Exchanger Tubes
Door Glass	Internal exhaust Box
Inside Firebox	All Hinges
Door Latch	

## ASH PAN AND DOOR GASKETS

(Check every 2-3 days):

After extended use, the gasketing may come loose. To repair this, glue the gasketing on using high-temperature fiberglass gasket glue available from your local dealer. This is important to maintain an airtight assembly. **DO NOT PLACE UNBURNED OR RAW PELLET FUEL IN ASH PAN.**

## ABOVE HEAT EXCHANGER TUBES (Every 2-3 days):

There is a tube cleaner rod at the front of the unit (shown in Figure 7). When the stove is off, pull the rod in and out to remove the ash build up above the heat exchanger tubes.

## BURNER POT AND LINER (Every 2-3 days):

To remove the burn pot and burn pot liner, open the door. Swing the door open. Lift the liner from the burn pot. Lift the burn pot from the firebox by gently lifting up the front of the burn pot, then sliding the assembly from the air intake tube and the ignitor cartridge.

This is the 'pot' where the pellets are burned. Every two to three days (when the unit is cold), remove the burn-pot liner from the stove. Using a metal scrapper, remove material that has accumulated or is clogging the liner's holes. Then dispose of the scrapped ashes from the liner and from inside the burn-pot. Place the burn-pot back into the stove, making sure that the pipes are properly inserted into the burn pot. Place the liner back into the burn-pot, making sure that the ignitor hole in the liner is aligned with the ignitor tube. Push the liner up against the ignitor tube.

## ASH REMOVAL:

**CAUTION WHEN VACUUMING FLY ASH: BECAUSE THE FLY ASH IS VERY FINE, THE USE OF A FINE FILTER VACUUM BAG WILL BE REQUIRED TO PREVENT ASH FROM BEING BLOWN BACK INTO THE ROOM.**

Please pay special attention that there are no hot ashes in the firebox or there could be a possibility of a fire hazard inside the vacuum cleaner. Place all hot ashes into a non-combustible container.

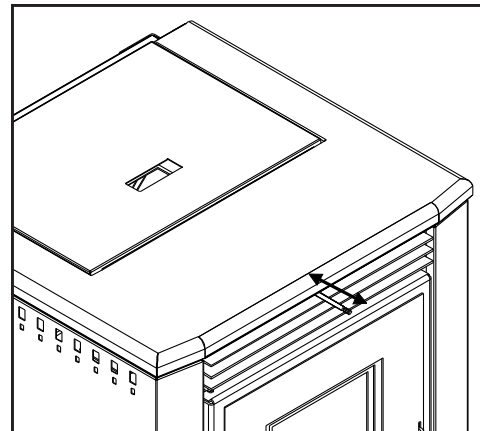


Figure 7

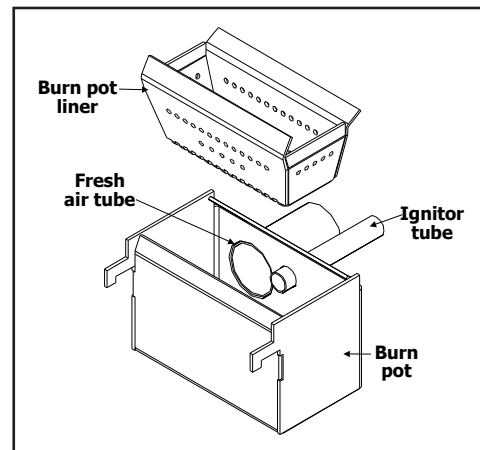


Figure 8

# ROUTINE CLEANING AND MAINTENANCE

## ASH DRAWER:

Remove ash drawer (see Figure 9). Dump the ashes into a metal container stored away from combustibles. Monitor the ash level every week. Remember that different pellet fuels will have different ash contents. Ash content is a good indication of fuel efficiency and quality. Refer to “Warnings and Recommendations” for disposal of ashes.

**DO NOT PLACE UNBURNED OR RAW PELLET FUEL IN ASH PAN.**

## INSIDE FIREBOX

For bi-weekly clean out, ash may be removed from the heat exchange tube by cleaning with a 50 mm round brush.

## BLOWER MECHANISMS:

Unplug the stove then open the right/left side panels to access the two (2) blowers. Clean debris from guards DO NOT lubricate the motors.

## DOOR GLASS

Do not attempt to open the door and clean the glass while the unit is in operation or if glass is hot. To clean the glass, use a soft cotton cloth and mild window cleaner, gas or wood stove glass cleaner, or take a damp paper towel and dip into the fly ash. This is a very mild abrasive and will not damage the glass.

**It is recommended that your dealer replace the glass if broken.**

The door glass is made of 5 mm thick, high temperature PYROCERAMIC. The center panel is 229 mm x 330 mm (9" x 13"). To replace the glass, unscrew and remove the four glass retainers. Remove the glass and any broken pieces. High temperature fiberglass tape should be used around the glass. Replace the glass, center the glass assembly in the frame, then screw the glass retainers back to the frame. The use of substitute materials is prohibited.

## FRESH AIR INTAKE

Inspect prior to relighting after a prolonged shut down period and periodically through the burning season to be sure that the fresh air intake is not clogged with any foreign materials. Ensure that the air intake grills are not blocked.

## EXHAUST VENT

**Soot and Fly-ash: Formation and Need for Removal** - The products of combustion will contain small particles of fly-ash. The fly-ash will collect in the exhaust venting system and restrict the flow of the flue gases. Incomplete combustion, such as occurs during startup, shutdown, or incorrect operation of the room heater will lead to some soot formation which will collect in the exhaust venting system. The exhaust venting system should be inspected prior to relighting after a prolonged shut down period and at least once every half (1/2) year or after one (1) tons of pellets to determine if cleaning is necessary. The chimney must be scrubbed with the appropriate sized steel brush; we recommend contacting your dealer for professional cleaning. To remove dust from the vent pipe, tap lightly on the pipe to dislodge any loose ash. Open the bottom of the "T" to dump the ash, then vacuum as much of the ash out of the vent pipe as possible.

## POST SEASON CLEAN-UP

Once you are finished using the pellet appliance for the season, unplug the stove for added electrical protection. It is very important that the stove be cleaned and serviced as stated above.

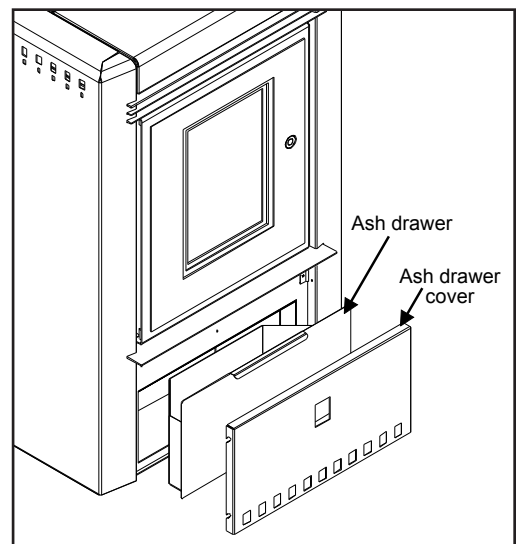


Figure 9

# ROUTINE CLEANING AND MAINTENANCE

## HEAT EXCHANGER AND INTERNAL EXHAUST TUBES:

**ONLY TO BE CLEANED WHEN THE UNIT IS COLD.** Clean away any fly ash that may have collected in and on the tubes. As different types of pellets produce different amounts of ash, cleaning of the tubes should be done on a regular basis to enable the unit to run efficiently.

1. Remove the top by loosening the two (2) screws at the back and remove the two (2) under the hopper lid shown in Figure 10. Pull the top up at the back and slide it forward.
2. Remove the cab sides by loosening the three (3) T-20 screws on the back of each side (see Figure 9). Remove the ash drawer cover and ash drawer (see Figure 8) then remove the T-20 screws from the two (2) front tabs (see Figure 11).
3. Remove the heat exchanger cover from the top of the stove by removing the screw on each side shown in Figure 12.

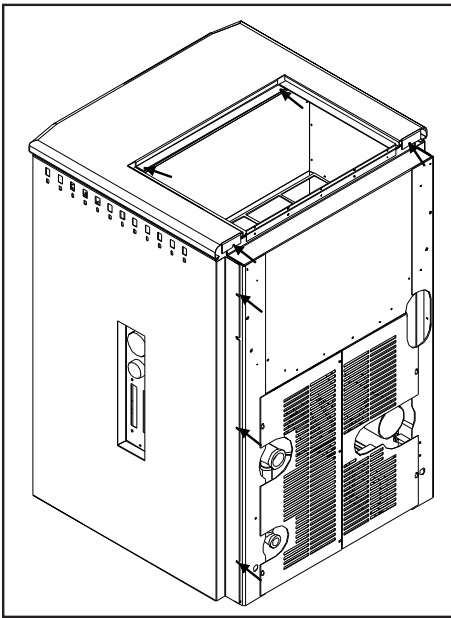


Figure 10

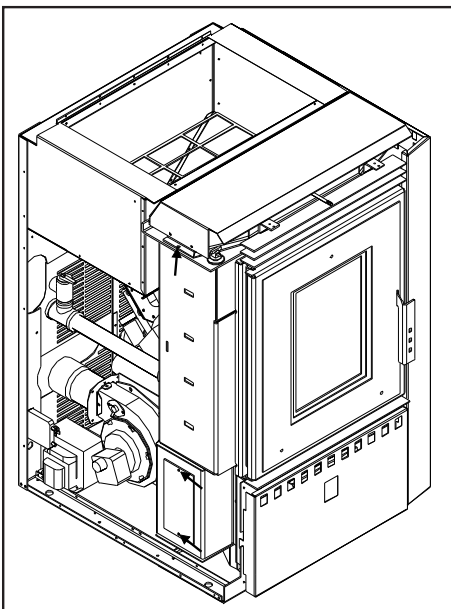


Figure 12

4. With the heat exchanger cover removed, the heat exchanger tubes can be cleaned. Scrub the top surface of the heat exchanger.
5. Clean the tubes referred to in Figure 13 as #1; one on each side. Use a 3" (75 mm) cleaning brush to scrub the tubes from top to bottom until buildup is removed.
6. Clean the tubes referred to in Figure 13 as #2; nine total. Use a 2" (50 mm) cleaning brush to scrub the tubes from top to bottom until all buildup is removed.

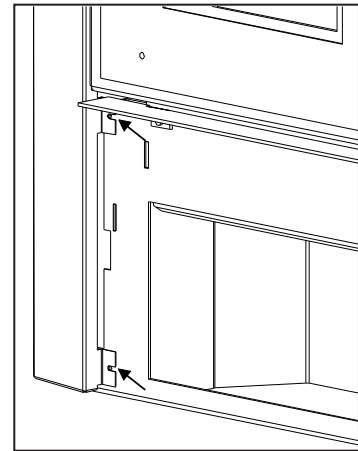


Figure 11

7. With the cab sides removed, you will see a clean-out cover on each side (see Figure 12), remove the two (2) T-20 screws from the cover. Vacuum out all ash from behind the cover.
8. Open the door and scrub the inside of the firebox.
9. Vacuum up all loose ash that has been brushed off from all areas.
10. Re-install the clean-out covers, the heat exchanger cover, the cab sides and the top.

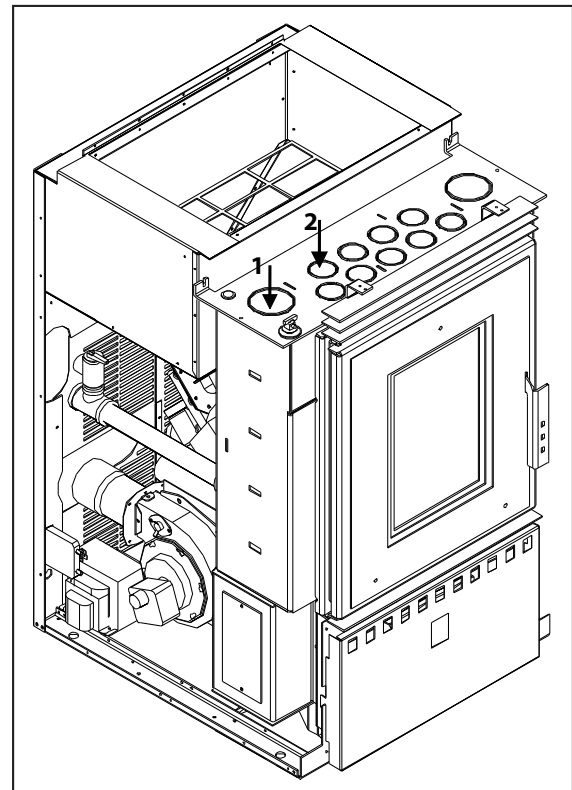


Figure 13

# TROUBLESHOOTING

---

**\*NOTE: All troubleshooting procedures should be carried out by qualified technicians or installers.**

## **DO NOT:**

- Hold the ON / OFF BUTTON; this is a momentary contact switch and can be damaged if held down too long.
- Service the stove with wet hands. The stove is an electrical appliance, which may pose a shock hazard if handled improperly. Only qualified technicians should deal with possible internal electrical failures.
- Do not remove any screws in the firebox without first lubricating them with penetrating oil.

## **WHAT TO DO IF:**

1. The stove will not start.
2. The stove will not operate when hot.
3. The convection blower will not function normally.
4. Control settings (heat level) have no effect on fire.
5. The stove will not shut off.
6. The stove keeps going out.
7. The #2 light is flashing on the heat level indicator light

### **1. The stove will not start.**

- ✓Make sure the stove is plugged in and the wall outlet is supplying power.
- ✓Push the ON /OFF button.
- ✓If the Control Board has been placed in the ON /OFF thermostat mode, then turn the thermostat up to call for heat.
- ✓If the unit still does not start, contact your local service dealer for service.

### **2. The stove will not operate when hot.**

- ★Check the hopper for fuel.
- ★Poor Quality Fuel – Insufficient energy in the fuel to produce enough heat to keep the stove burning or operational.
- ★The third red LED light in the heat level indicator light will flash if a fire is not detected or if the fire has gone out.
- ★The unit may require cleaning. Contact your local dealer for service.
- ★Contact your local dealer for additional troubleshooting.

### **3. The convection blower will not function normally.**

- ★Clean all grill openings at the back and below unit.
- ★Press the fan button. Does the fan come on? Press again to verify that the blower turns on; if not, contact your local dealer for service.

### **4. Control settings (Heat Level) have no effect on the fire.**

**NOTE:** If the system light is flashing, the Control Board has complete control of the unit. When the unit's system light becomes solid, then control of the unit is given back to the operator.

- ✓If there is no control of the Heat Level button, make sure the thermostat is calling for heat.
- ✓Call your local dealer for service.

# TROUBLESHOOTING

---

## **5. The stove will not shut off.**

- ★If the unit will not shut off, ensure that the thermostat (if equipped) is turned down below the room temperature (thermostat mode in the ON / OFF position).
- ★If the unit is in the HI/LOW mode the unit will not shut off but will go to an idle setting (LOW). Press the ON/OFF button to turn the unit off.

## **6. The stove keeps going out.**

If the stove goes out and leaves fresh unburned pellets or cigarette-like ashes in the burn pot liner, the fire is going out before the stove shuts off.

- ✓Check to see that the Slider / Damper is in the correct position.
- ✓Turn the Heat Level up slightly (poor quality pellets will require slightly higher settings).
- ✓Set the auger trim till the #1 and #5 lights are illuminated.

If the stove goes out and there are partially burned pellets left in the burn pot liner, the stove has shut down due to a lack of air, exhaust temperature, or power failure.

- ★Adjust the Slider / Damper.
- ★Check to see if the stove needs a more complete cleaning.
- ★Did the power go out?
- ★Turn the Heat Level up slightly (poor quality pellets will require slightly higher settings).
- ★Contact your local Dealer for service.

## **7. The #2 light is flashing on the heat level indicator light** (see #8 in Figure 3).

- ★The water temperature high limit switch has tripped. Remove right cabinet side and manually reset the high limit switch.
- ★The low water pressure switch has tripped. Increase the water pressure in the system.

**To reset Circuit Board after a trouble code - push the ON/OFF button.**

# INSTALLATION DATA SHEET

The following information must be recorded by the installer for warranty purposes and future reference.

NAME OF OWNER:  _____
ADDRESS:  _____ _____ _____
PHONE: _____

NAME OF DEALER:  _____
ADDRESS:  _____ _____ _____
PHONE: _____

MODEL: _____
SERIAL NUMBER: _____
DATE OF PURCHASE: _____ (dd/mm/yyyy)
DATE OF INSTALLATION: _____ (dd/mm/yyyy)
MAGNEHELIC AT INSTALL: _____
INSTALLER'S SIGNATURE:  _____

NAME OF INSTALLER:  _____
ADDRESS:  _____ _____ _____
PHONE: _____

**WARRANTY:** If you have any concerns with your unit please contact the dealer where you purchased the stove.

MANUFACTURED BY:  
SHERWOOD INDUSTRIES LTD.  
6782 OLDFIELD RD. SAANICHTON, BC, CANADA V8M 2A3  
www.enviro.com  
April 30, 2008  
C-1205