



G50LI

DIRECT VENT FIREPLACE - IPI

OWNER'S MANUAL

WARRANTY REGISTRATION
enviro.com/warranty



Intertek

C#4001609

WARNING: If the information in this manual is not followed exactly, a fire or explosion may result causing property damage, personal injury or loss of life. Installation and service must be performed by a qualified installer, service agency or the gas supplier.

SAFETY PRECAUTIONS



WARNING:

FIRE OR EXPLOSION HAZARD

Failure to follow safety warnings exactly could result in serious injury, death, or property damage.

- **Do not store or use gasoline or other flammable vapours and liquids in the vicinity of this or any other appliance.**

- **WHAT TO DO IF YOU SMELL GAS**
 - **Do not try to light any appliance.**
 - **Do not touch any electrical switch; do not use any phone in your building.**
 - **Leave the building immediately.**
 - **Immediately call your gas supplier from a neighbor's phone. Follow the gas supplier's instructions.**
 - **If you cannot reach your gas supplier, call the fire department.**

- **Installation and service must be performed by a qualified installer, service agency or the gas supplier.**

INSTALLER:

Leave this manual with the appliance.

CONSUMER:

Retain this manual for future reference.

This appliance may be installed in an after-market permanently located, manufactured (mobile) home, where not prohibited by local codes.

This appliance is only for use with the type of gas indicated on the rating plate. This appliance is not convertible for use with other gases, unless a certified kit is used.

Only doors certified with the appliance shall be used

Massachusetts installations (Warning): This product must be installed by a licensed plumber or gas fitter when installed within the Commonwealth of Massachusetts. Other Massachusetts code requirements: Flexible connector must not be longer than 36in., a shut off valve must be installed; only direct vent sealed combustion products are approved for bedrooms/bathrooms. A carbon monoxide detector is required in all rooms containing gas fired direct vent appliances. The fireplace damper must be removed or welded in the open position prior to installation of a fireplace insert.

SAFETY PRECAUTIONS

FOR SAFE INSTALLATION AND OPERATION OF YOUR "ENVIRO" HEATER, PLEASE CAREFULLY READ THE FOLLOWING INFORMATION:

- All ENVIRO gas-fired appliances must be installed in accordance with their instructions. Carefully read all the instructions in this manual first. Consult the building authority having jurisdiction to determine the need for a permit prior to commencing the installation.
- **NOTE:** Failure to follow these instructions could cause a malfunction of the fireplace, which could result in death, serious bodily injury, and/or property damage.
- Failure to follow these instructions may also void your fire insurance and/or warranty.

GENERAL

• Installation and repair should be done by a qualified service person. The appliance should be inspected before the first use and, at least, annually by a qualified service person. More frequent cleaning may be required due to excessive lint from carpeting, bedding material, etc. It is imperative the control compartments, burners and circulating air passageways of the appliance be kept clean.

• Due to high temperatures, the appliance should be located out of high traffic areas and away from furniture and draperies.

Children and adults should be alerted to the hazards of high surface temperatures and should stay away to avoid burn or clothing ignition.

• Young children should be carefully supervised when in the same room as the appliance. Toddlers, young children and others may be susceptible to accidental contact burns. A physical barrier is required if there is a risk for individuals in the house. To restrict access to a fireplace or stove install an adjustable safety gate to keep toddlers, young children and other at risk individuals out of the room and away from hot surfaces. Any safety screen, guard, or barrier removed for servicing an appliance must be replaced prior to operating the appliance.

• Clothing or other flammable materials should not be placed on or near the appliance.

• A barrier designed to reduce the risk of burns from the hot viewing glass is provided with this appliance and shall be installed for the protection of children and other at-risk individuals. If the barrier becomes damaged, the barrier shall be replaced with the manufacturer's barrier for this appliance.

FOR YOUR SAFETY

• Installation and service must be performed by a qualified installer, service agency or gas supplier.

• This installation must conform to local codes or, in the absence of local codes, with the National Fuel Gas Code, ANSI Z223.1/NFPA 54, or the Natural Gas and Propane Installation Code, CSA B149.1.

• To prevent injury, do not allow anyone who is unfamiliar with the stove to operate it.

• To prevent injury, if the pilot or pilot and burners have gone out on their own, open the glass door and wait 5 minutes to air out before attempting to relight the stove.

• Always keep the area around these appliances clear of combustible material, gasoline and other flammable liquids and vapours.

• These appliances should not be used as a drying rack for clothing or for hanging Christmas stockings/decorations.

• Due to the paint curing on the stove, a faint odor and slight smoking will likely be noticed when the stove is first used. Open a window until the smoking stops.

Always connect this gas stove to a vent system and vent to the outside of the building envelope. Never vent to another room or inside the building. Make sure the specified vent pipe is used, properly sized and of adequate height to provide sufficient draft. Inspect the venting system annually for blockage and signs of deterioration.

WARNING: Failure to position the parts in accordance with the diagrams in this booklet, or failure to use only parts specifically approved with this appliance, may result in property damage or personal injury.

WARNING: Do not operate with the glass front removed, cracked or broken. Replacement of the glass should be done by a licensed or qualified service person.

• Never use solid fuels such as wood, paper, cardboard, coal, or any flammable liquids, etc., in this appliance.

• Do not use this appliance if any part has been under water. Immediately call a qualified service technician to inspect the appliance and to replace any part of the control system or any gas control which has been under water.

• Do not abuse the glass by striking it or slamming the door shut.

• If the G50 unit is pulled out of its installation, and the vent-air intake system is disconnected for any reason, ensure that the vent-air intake pipes are reconnected and re-sealed in accordance to the instructions noted in INITIAL INSTALLATION - DIRECT VENT



HOT GLASS WILL CAUSE BURNS
DO NOT TOUCH GLASS UNTIL COOLED.
NEVER ALLOW CHILDREN TO TOUCH GLASS.



A barrier designed to reduce the risk of burns from the hot viewing glass is provided with this appliance and shall be installed for the protection of children and other at-risk individuals.

TABLE OF CONTENTS

Safety Precautions	2
Codes And Approvals	5
Specifications	6
Dimensions:.....	6
Rating Label & Lighting Instructions Location:	6
Operating Instructions	7
Lighting and Instructions:.....	7
Remote Control Operations:.....	8
System Description:.....	8
Technical Data:.....	8
Remote Transmitter:.....	8
Integrated Fireplace Controller (IFC):.....	9
Operating Procedure:.....	10
Normal Sounds During Operation:.....	13
Pilot Light:	14
Air Shutter (Venturi):	14
Maintenance And Service	15
Routine Maintenance:.....	15
Cleaning The Glass:.....	15
Cleaning The Firebox:.....	15
Replacing The Glass:	15
Cleaning Decorative Surfaces:	16
Surround Panel Removal:	16
Door Cover Removal:.....	17
Glass Door Removal:	17
Burner Assembly Removal:.....	18
Fuse Replacement:.....	18
Ember Lights Removal:.....	19
Top Light Replacement:.....	20
Fuel Conversion:	21
Initial Installation	23
Introduction:.....	23
Unit Install Preparation:.....	23
Placement and Framing:	27
Vent Heat Shields:.....	28
Cool Surface Framing:.....	29
Cool Surface Activation:.....	32
Floor Protection:	33
Mantel Requirements:.....	33
Flat Wall Installation:.....	34
Recess Installation:	35
Corner Installation:	36
Minimum Venting Requirements:	37
Flex Venting:.....	38
Clearances & Non-Combustible :	39
TV Installation Considerations:	41
Direct Vent:	42
Vent Termination Restrictions:	42
Venting Clearances:.....	43
Approved Venting Parts:	44
Allowable Co-Axial Vent Configurations:	45
Exhaust Restrictor Setting:.....	47
Horizontal Termination:.....	48
Vertical Termination:.....	49
Gas Line Connection and Testing:.....	51
Electrical Requirements:	52
Secondary Installation	53
Panel and Media Installation:	53
Log Set Installation:	54
Trouble Shooting	57
Parts List	58
Parts Diagram	59
Warranty	60

CODES AND APPROVALS

DIRECT VENT ONLY: This type is identified by the suffix DV. This appliance draws all of its air for combustion from outside the dwelling, through a specially designed vent pipe system.

This appliance has been tested and approved for installations from 0 feet to 4500 feet (1372 m) above sea level.

In the USA: The appliance may be installed at higher altitudes. Please refer to your American Gas Association guidelines which state: the sea level rated input of Gas Designed Appliances installed at elevations above 2000 (610 m) feet is to be reduced 4% for each 1000 feet (305 m) above sea level. Refer also to local authorities or codes which have jurisdiction in your area regarding the de-rate guidelines.

In Canada: When the appliance is installed at elevations above 4500 feet (1372 m), the certified high altitude rating shall be reduced at the rate of 4% for each additional 1000 feet (305 m).

- This appliance has been tested by INTERTEK and found to comply with the established VENTED GAS FIREPLACE HEATER standards in CANADA and the USA as follows:

VENTED GAS FIREPLACE HEATER (G50; NATURAL GAS, PROPANE GAS)

CERTIFIED TO: ANSI Z21.88-2017/CSA 2.33-2017 VENTED GAS FIREPLACE HEATERS

CSA 2.17-2017 GAS FIRED APPLIANCES FOR HIGH ALTITUDES

This ENVIRO G50 Fireplace:

- Has been certified for use with either natural gas or propane (see rating label).
- Is not for use with solid fuels.
- Is approved for a bedroom or bed sitting room. (**IN CANADA:** must be installed with a listed wall thermostat. **IN USA:** see current ANSI Z223.1 for installation instructions.)
- Must be installed in accordance with local codes. If none exist, use current installation code CAN/CGA B149.1 in Canada or ANSI Z223.1/NFPA 54 in the USA.
- Must be properly connected to an approved venting system and not connected to a chimney flue serving a separate solid-fuel burning appliance.

IMPORTANT NOTICE (Regarding first fire up): When the unit is turned on for the first time, it should be turned onto high without the fan on (if equipped) for the first 4 hours. This will cure the paint, logs, gasket material and other products used in the manufacturing process. It is advisable to open a window or door, as the unit will start to smoke and can irritate some people. After the unit has gone through the first burn, turn the unit off including the pilot, let the unit get cold then remove the glass door and clean it with a good gas fireplace glass cleaner, available at your local ENVIRO dealer.



SPECIFICATIONS

G50 DIMENSIONS:

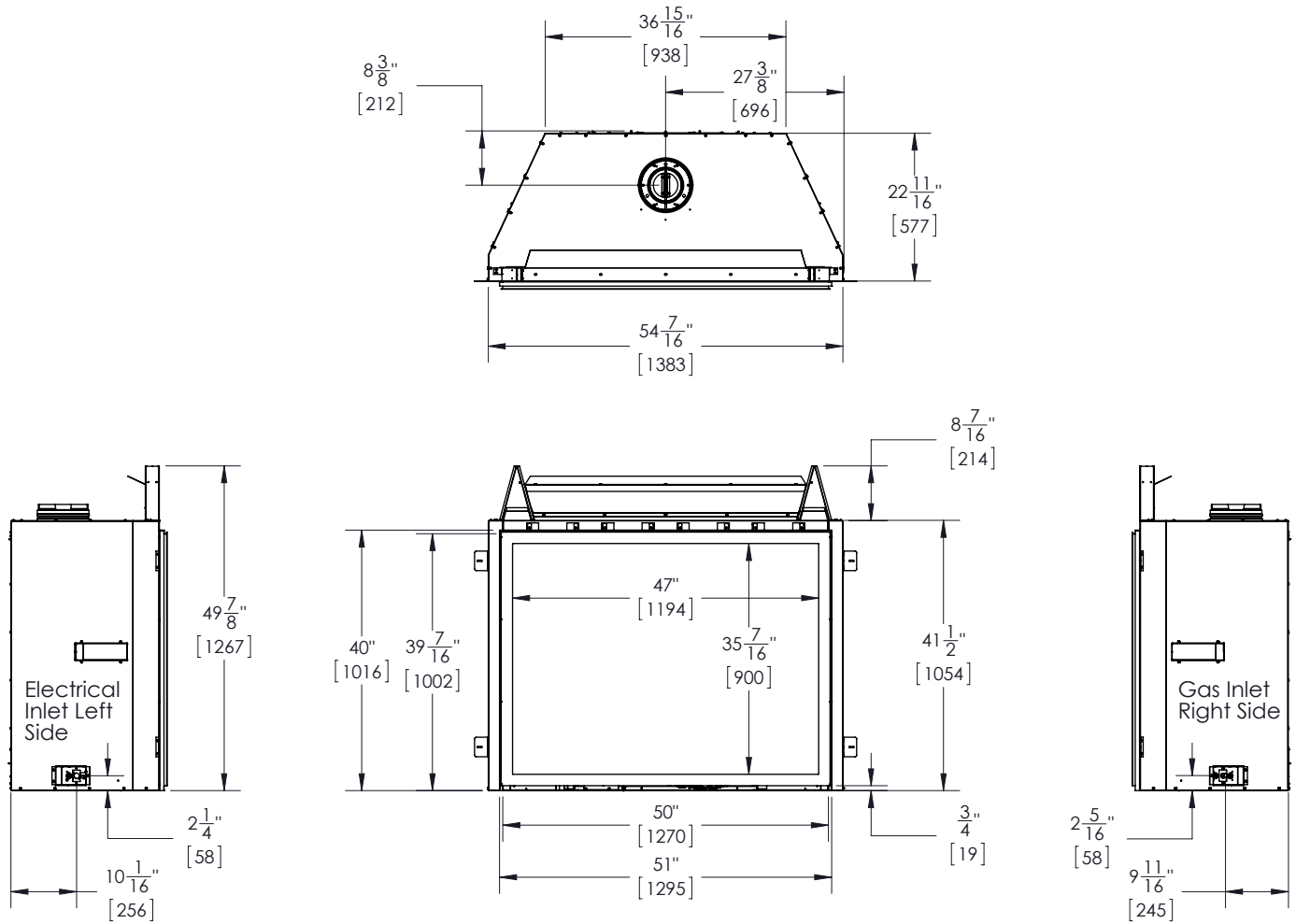


Figure 1. G50 Dimensions

RATING LABEL & LIGHTING INSTRUCTIONS LOCATION:

Remove the surround completely to access the rating label and lighting instructions. The sheet is attached to a length of chain and are never to be tampered with or removed. All important information for your fireplace is on this label as well as the model specific serial number which you will need for warranty information. The sheet is located inside the cabinet under the gas valve.

OPERATING INSTRUCTIONS

For Your Safety, Read Safety Precautions And Lighting Instructions Before Operating

WARNING: IF YOU DO NOT FOLLOW THESE INSTRUCTIONS EXACTLY A FIRE OR EXPLOSION MAY RESULT, CAUSING PROPERTY DAMAGE, PERSONAL INJURY OF LOSS OF LIFE.

LIGHTING AND INSTRUCTIONS:

FOR YOUR SAFETY READ BEFORE OPERATING

WARNING: IF YOU DO NOT FOLLOW THESE INSTRUCTIONS EXACTLY, A FIRE OR EXPLOSION MAY RESULT CAUSING PROPERTY DAMAGE, PERSONAL INJURY OR LOSS OF LIFE.

A. This appliance is equipped with an ignition device which automatically lights the pilot. Do not try to light the pilot by hand.

B. BEFORE OPERATING smell all around the appliance area for gas. Be sure to smell next to the floor because some gas is heavier than air and will settle on the floor.

WHAT TO DO IF YOU SMELL GAS:

- Do not try to light any appliance.
- Do not touch any electrical switch; do not use any phone in your building.
- Immediately call your gas supplier from a neighbor's phone. Follow the gas supplier's instructions.
- If you cannot reach your gas supplier, call the fire department.

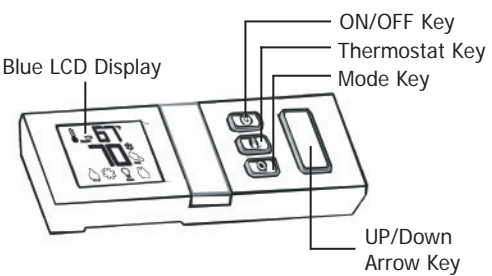
C. Use only your hand to push in or turn the gas control knob. Never use tools. If the knob will not push in or turn by hand, don't try to repair it, call a qualified service technician. Force or attempted repair may result in a fire or explosion.

D. Do not use this appliance if any part has been under water. Immediately call a qualified service technician to inspect the appliance and to replace any part of the control system and any gas control which has been under water.

OPERATING INSTRUCTIONS

1. STOP! Read the safety information above on this label.
2. Read the owner's manual including the section on "Remote Control" operation.
3. Set the thermostat to the lowest setting.
4. Turn off all electric power to the appliance.
5. Do not attempt to light the pilot by hand.
6. Wait five (5) minutes to clear out any gas. Then smell for gas, including near the floor. If you smell gas, STOP! Follow "B" in the safety information above on this label. If you don't smell gas, go to the next step.
7. Turn on all electric power to the appliance.
8. Using the remote control, set thermostat to desired setting, or press the ON/OFF key on the remote. "ON" will be indicated on the display of the remote and an audible "beep" will be heard at the unit to indicate the command has been received.

9. This appliance is equipped with a completely automatic ignition and lighting control. The control will attempt to light the pilot several times if necessary. If it is unsuccessful, it will discontinue operations. If the appliance will not operate, follow the instructions "To Turn Off Gas To Appliance" and call your service technician or gas supplier.



The diagram shows a white remote control with a blue LCD display on the left side. To the right of the display are four buttons: a square button labeled 'ON/OFF Key', a circular button labeled 'Thermostat Key', a rectangular button labeled 'Mode Key', and a vertical arrow key labeled 'UP/Down Arrow Key'.

TO TURN OFF GAS TO APPLIANCE

1. Set thermostat to lowest setting, or press the ON/OFF Key. "OFF" will be indicated on the display and an audible "Beep" will be heard at the unit to indicate the command has been received.
2. Turn off all electric power to the appliance if service is to be performed.

Figure 2. Lighting Instruction Label

OPERATING INSTRUCTIONS

For Your Safety, Read Safety Precautions And Lighting Instructions Before Operating

REMOTE CONTROL OPERATIONS:

Proflame 2 is a modular remote control system that directs the functions of the fireplace. The Proflame 2 remote transmitter is configured to control the on and off function of the main burner and split flow valve. The systems also allows your to modulate the flame level, fan speed, and accent light features.

SYSTEM DESCRIPTION:

The Proflame 2 Remote Control System consists of two (2) elements:

1. Proflame 2 Transmitter.
2. Integrated Fireplace Controller (IFC) and a wiring harness to connect to the gas valve and stepper motor.

ATTENTION!

- TURN "OFF" THE MAIN GAS SUPPLY OF THE APPLIANCE DURING INSTALLATION OR MAINTENANCE OF THE IFC.
- TURN "OFF" MAIN GAS SUPPLY TO THE APPLIANCE PRIOR TO REMOVING OR REINSERTING THE BATTERIES IN THE BATTERY HOLDER

TECHNICAL DATA:

Transmitter (Remote Control):

Supply voltage: 4.5 V (three 1.5 V AAA batteries)
Radio frequency: 315 MHz

Integrated Fireplace Controller (IFC):

Supply voltage: AC IN - 120 V / 60 Hz
Battery Backup IN - 6 Vdc - 200mA (four 1.5 V AA batteries)
Spark voltage / frequency: >10kV / 1Hz
Comfort modulating fan: 120 V / 60 Hz / 2A
Ember Lights: 120 V / 60 Hz / 850mA [total]
Top Light: 120 V / 60Hz / 200mA

REMOTE TRANSMITTER:

The Proflame 2 uses a streamline design remote transmitter to allow the user to interact with the system. The simple button layout and LCD display offer a user friendly experience. The MODE key is used to cycle through different features and the THERMOSTAT key is used to manage thermostatic functions. The transmitter is powered by three (3) AAA type batteries.

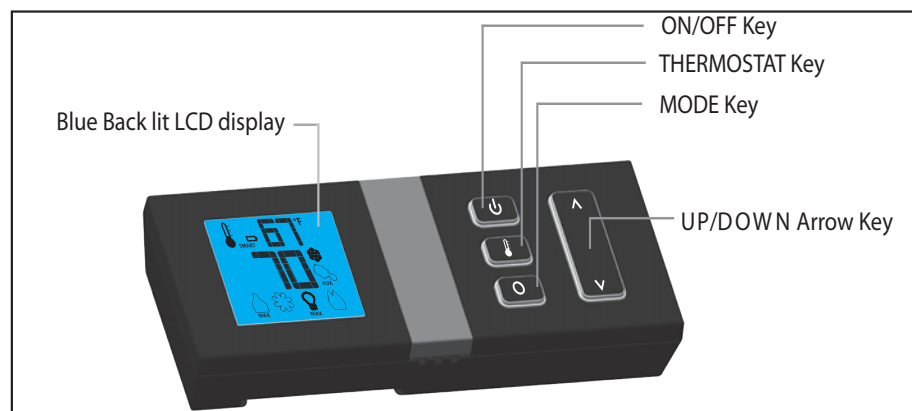


Figure 3: Proflame 2 Transmitter.

OPERATING INSTRUCTIONS

WARNING: Fire Hazard. Can cause severe injury or death. The Transmitter causes ignition of the appliance. The appliance can turn on suddenly. Keep away from the appliance burner when operating the remote system.

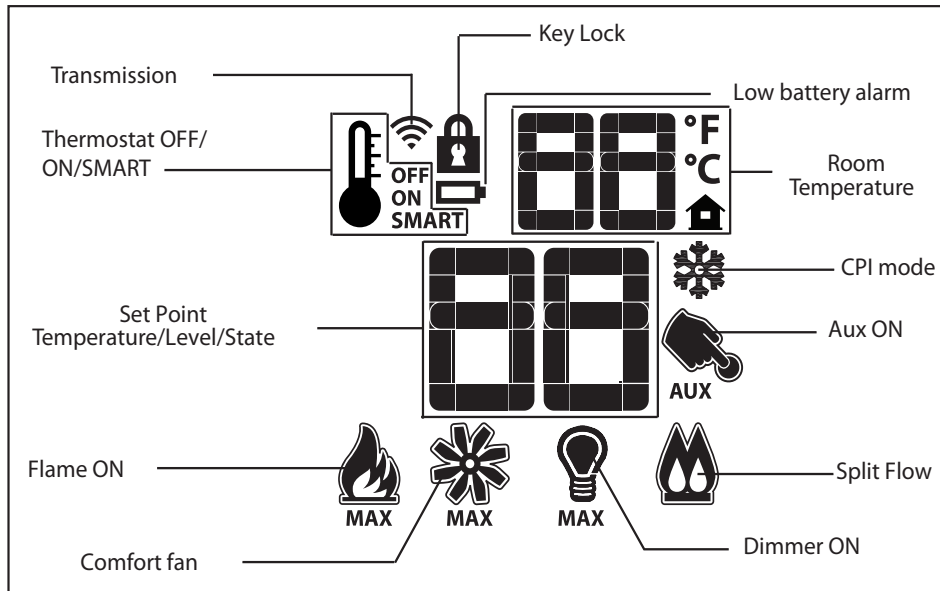
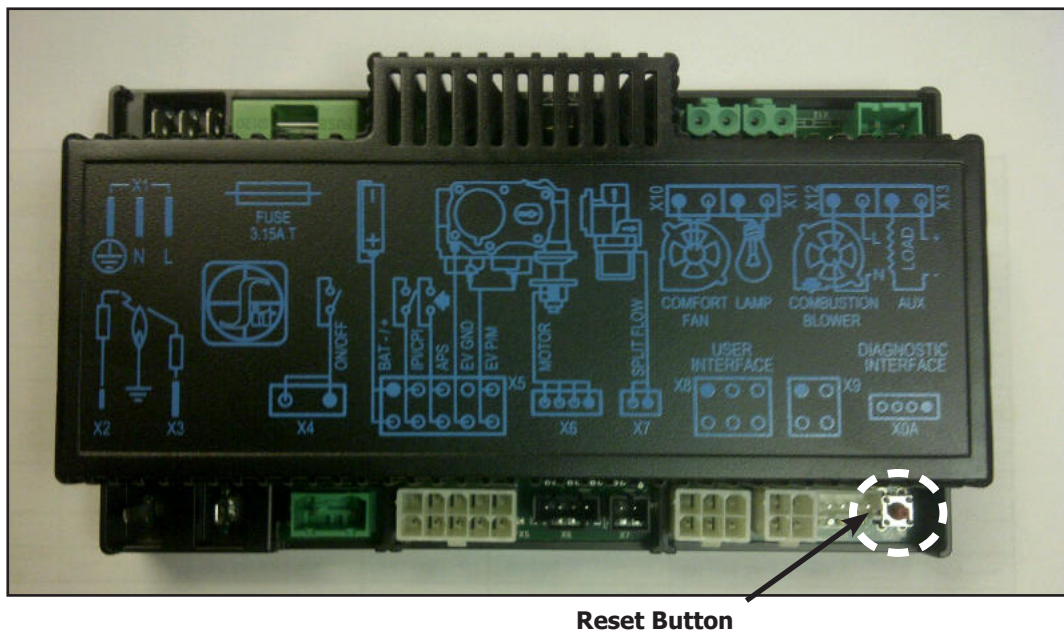


Figure 4: Proflame 2 Transmitter LCD Screen.

CAUTION: Property Damage Hazard. Excessive heat can cause property damage. The appliance can stay lit for many hours. Turn off the appliance if it is not going to be attended for any length of time. Always place the Transmitter where children cannot reach it.

INTEGRATED FIREPLACE CONTROLLER (IFC):

The IFC is the master controller for your fireplace control system known as Proflame 2. This unit will control all aspects of the fireplace by receiving commands from the remote transmitter. This controller is powered by 120VAC but can also run off a (4) AA battery back-up if there is a power outage. Only main burner control can be used while operating with the battery back up; auxiliary components, such as the convection fan, cannot be used. Use the reset button (see Figure 5) to synchronize the remote transmitter to the IFC for the first time, or after batteries have been replaced.



Reset Button

Figure 5: Integrated Fireplace Controller

OPERATING INSTRUCTIONS

OPERATING PROCEDURE:

Initializing The System

Install the four (4) supplied AA batteries into the IFC battery holder. The remote transmitter should come from the manufacturer with the batteries already installed. Press the reset button on the IFC (see Figure 5) and listen for three (3) beeps. Press the ON key on the remote transmitter and listen for another beep sequence. Once the command has been accepted then the system is initialized and ready for use.

Note: Other remote transmitters may interfere with the system if you have another within the vicinity.

Temperature Indication Display

Press the Thermostat key and the Mode key simultaneously while the system is OFF. The remote transmitter will indicate which temperature scale is being displayed ($^{\circ}\text{C}$ or $^{\circ}\text{F}$). Repeat this sequence to change the scale (see Figure 6).

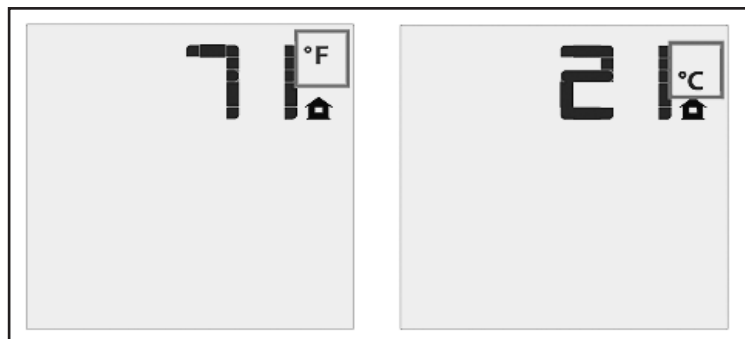


Figure 6: Temperature Scale Display

Turn on the Appliance

Press the ON/OFF key on the remote transmitter; the display will illuminate and show all active icons. A single beep from the IFC will confirm the command from the remote and the start up sequence will begin. The spark electrode will ignite the pilot flame which will engulf the flame sensor hook. After the sensor reaches sufficient temperature, the main burner valve will open and the flame will ignite moments after.

Note: If the pilot takes too long to ignite there may be air in the gas line. The system will enter a 5 minute lock-out and cancel the start-up procedure if too many spark attempts have been made. If pilot cannot light after 3 lock-out cycles then contact your gas fitter.

Continuous Pilot Mode

Press the Mode key with the fireplace turned off. Use the UP/DOWN key to cycle between intermittent pilot ignition (IPI) and continuous pilot ignition (CPI). Press the mode key to make your selection and the IFC will beep to confirm your command.

Note: It is recommended to use CPI mode when the temperature outside is below 50°F (10°C) to keep the vent sufficiently heated to assist with warm-up procedure. Using CPI will also eliminate excessive condensation on the glass during start-up.

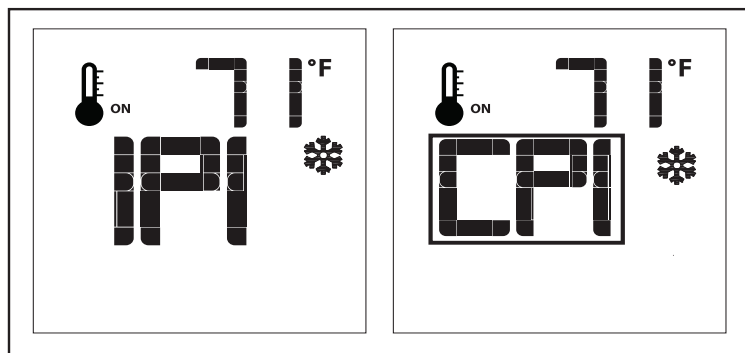


Figure 7: CPI Pilot Mode.

Turn off the Appliance

Press the ON/OFF key on the transmitter to turn the fireplace off. The IFC will confirm your command with a single beep. The pilot light (IPI) and the main burner will turn off. The pilot will remain lit if the fireplace is in CPI mode. Room temperature information will still be displayed on the remote when the unit is off.

OPERATING INSTRUCTIONS

Room Thermostat (Transmitter Operation)

The remote transmitter acts as a room thermostat. The thermostat can be set to a desired temperature to control the comfort level in a room. Press the THERMOSTAT key to activate this function. The transmitter display will indicate the thermostat is ON and the set temperature can be adjusted with the UP/DOWN key. The flame will cycle on and off to regulate temperature in this mode.

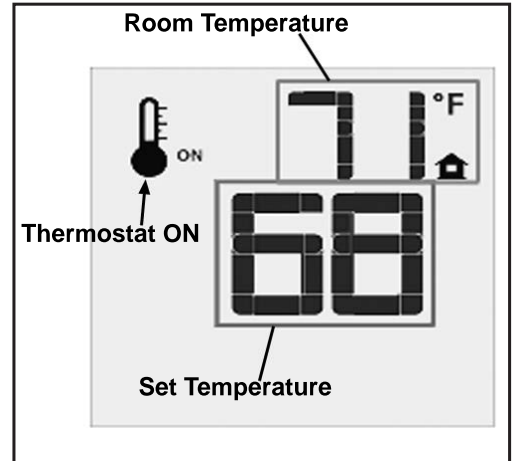


Figure 8: Thermostat Function

Smart Thermostat (Transmitter Operation)

The remote acts as a smart thermostat. Press the THERMOSTAT key unit SMART is displayed. The smart thermostat function has the ability to modulate the flame level with reference to the set point. The flame will level down when the actual temperature approaches the set temperature. This function will not operate the split flow valve to regulate temperature.

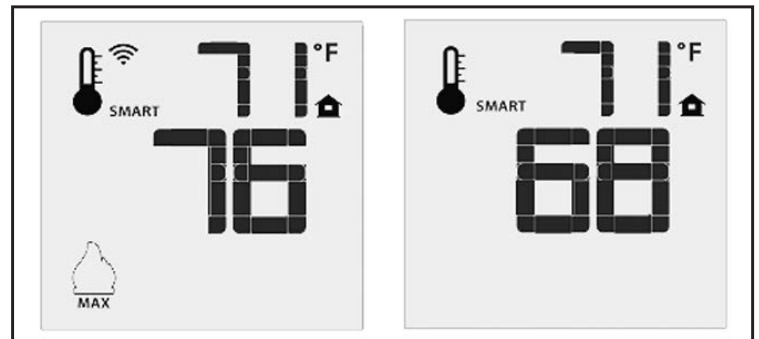


Figure 9: Smart Thermostat Function

Remote Flame Control

The Proflame 2 remote control system has six (6) flame levels. Adjust the flame level using the UP/DOWN key; each time the button is pressed the IFC will beep to confirm your command. The remote display will show which level the flame is currently at.

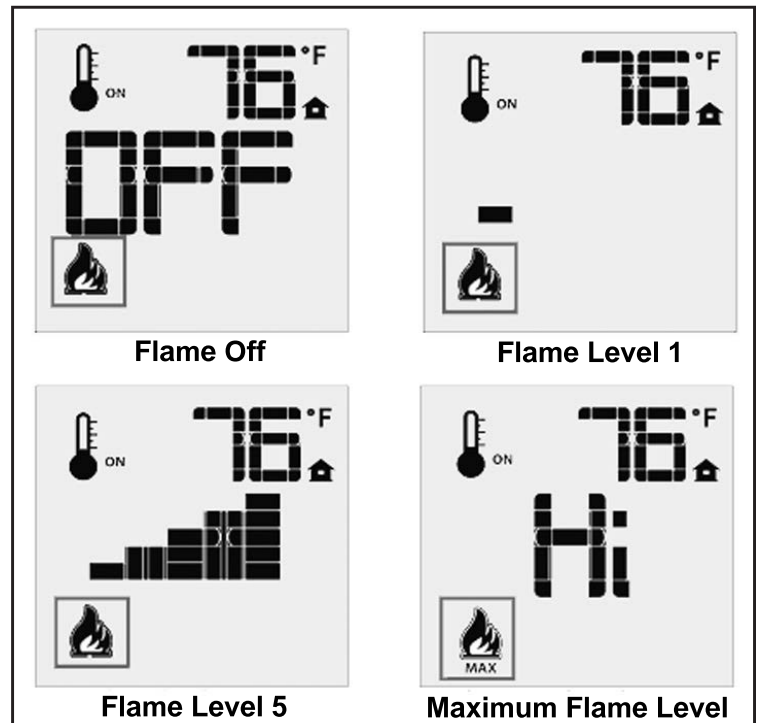


Figure 10: Flame Control

OPERATING INSTRUCTIONS

Fan Control

The Proflame 2 remote control system has six (6) fan speed levels. Adjust the fan speed using the UP/DOWN key; each time the button is pressed the IFC will beep to confirm your command. The remote display will show which level the fan speed is currently at.

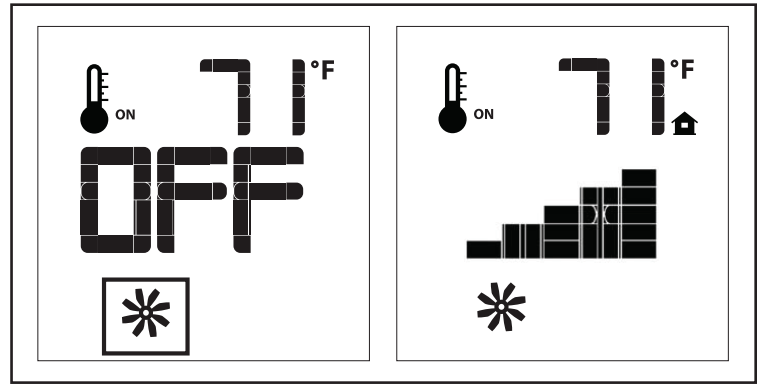


Figure 11: Fan Control

Key lock

This function will lock the keys to avoid unsupervised operation. Press the MODE and UP key simultaneously to activate this function. Repeat this sequence to deactivate. A lock icon will be displayed on the screen when activated.



Figure 12: Key Lock

Low Battery Power Detection

A low battery icon will be displayed on the remote transmitter when the batteries are low. It is advisable to change the batteries at this point before all power is lost from the remote.

There is now icon on the remote transmitter indicating low battery power for the IFC. The IFC will emit a beep when the ON/OFF key is pressed indicating the batteries are low.

The system will need to be initialized after battery replacement (see INITIALIZING THE SYSTEM). The life span of the batteries depends on various factors such as battery quality, ignition attempts, remote usage, and power outage duration.

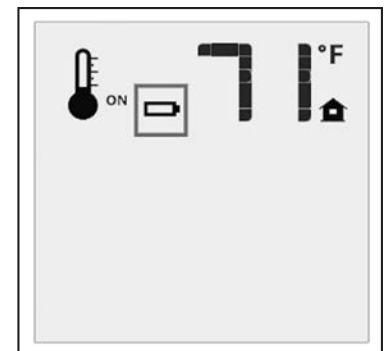


Figure 13: Low Battery

Split Flow Operation

The split flow operation will turn off the rear burner which will greatly reduce the heat output of the fireplace. Press the mode key on your remote transmitter to access the split flow function indicated by a double flame icon (see Figure 14). Use the UP/DOWN key to cycle between the split flow valve on and off. This function will not affect the flame setting of the remaining flame.

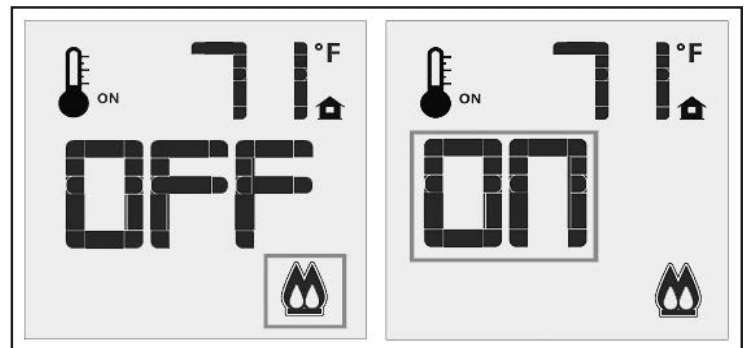


Figure 14: Split Slow Function

OPERATING INSTRUCTIONS

Ember Lights Control

The ember lights are at the front of the fireplace and can be controlled with the transmitter. The Proflame 2 remote control system has six (6) light intensity levels. Adjust the light intensity using the UP/DOWN key; each time the button is pressed the IFC will beep to confirm your command. The remote display will show what level the ember lights are currently at.

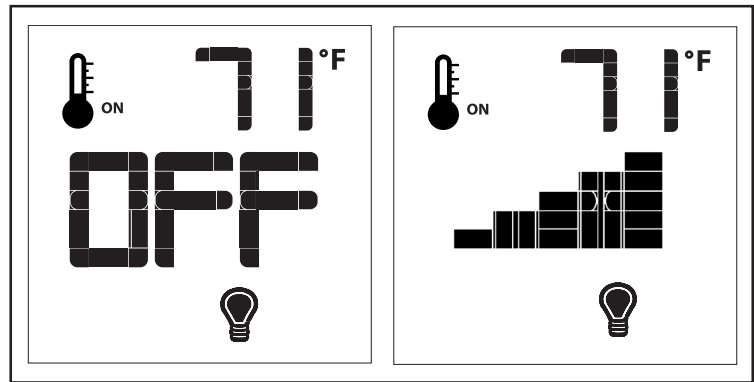


Figure 15: Ember Light Control

Top Light Control

The top light is used to illuminate the log set in the fireplace, even when the flame is off. The on/off operation can be controlled using the remote transmitter. Use the MODE key to select the auxiliary icon and use the UP/DOWN key to activate the top light; the IFC will beep to confirm your command. This feature is not adjustable.

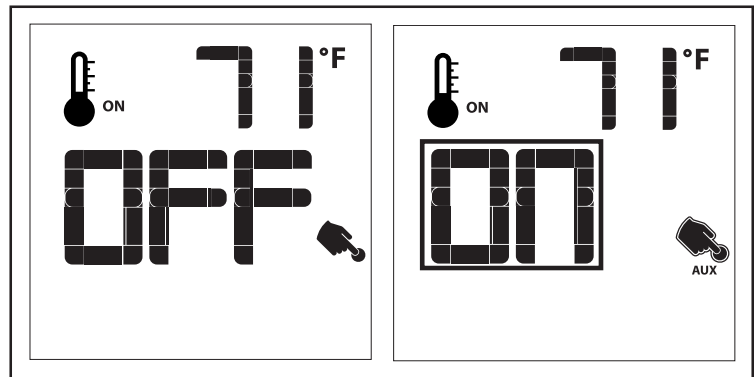


Figure 16: Top Light Control

NORMAL SOUNDS DURING OPERATION:

Table 1: Normal Sounds

Component	Normal Sound Description
Main Unit	Creaking when heating up or cooling down
Pop / Bang	Single bang during heat up / cool down caused by thermal expansion
Burner	Light pop or poof when turned on or off
Pilot Flame	Quiet whisper while the pilot flame is on
Blower / Fan	Air movement that increase and decreases with the speed of the blower
Split Flow Valve	Dull click when turning on or off, this is the valve opening and closing

OPERATING INSTRUCTIONS

PILOT LIGHT:

The pilot flow adjustment is set to maximum at the factory and should not need to be adjusted. The pilot flame should cover $\frac{3}{8}$ " to $\frac{1}{2}$ " (10 to 13mm) of the flame sensor (see Figure 17). However, should the need arise, turn the adjustment screw to alter the pilot gas flow.

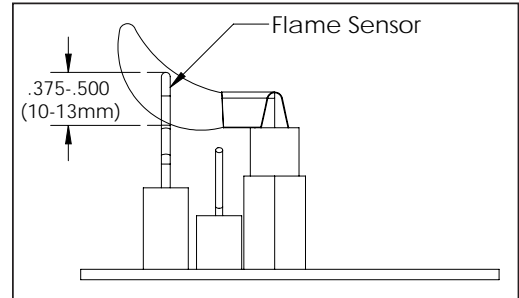


Figure 17. Pilot Light

AIR SHUTTER (VENTURI):

The air shutter plays a very important role in flame appearance and combustion quality. The shutter adjusts how much air gets mixed with the gas before it ignites; adjustments can be made to accommodate various climates and vent configurations.

Remove surround to access the air shutter. Find the two levers underneath the firebox (see Figure 18). The front and rear burners can be controlled independently. Moving either lever inward will make the flame appear more yellow and tall; moving the lever outward will make the flames appear more blue and short.

Typically natural gas flames will require the shutter to be more closed.

Typically LP flames will require the shutter to be more open.

If you cannot attain a healthy flame by making air shutter adjustments, you may have the incorrect restrictor setting or venting problem.

If the flame is very flickery, fast moving, and low then increase the restriction.

If the flame is very tall, lazy, and dirty then decrease the restriction.

More details can be found in the venting section of this manual.

Caution: Wear heat resistant gloves when making adjustments to the air shutter. Perform adjustments after 15 minutes.

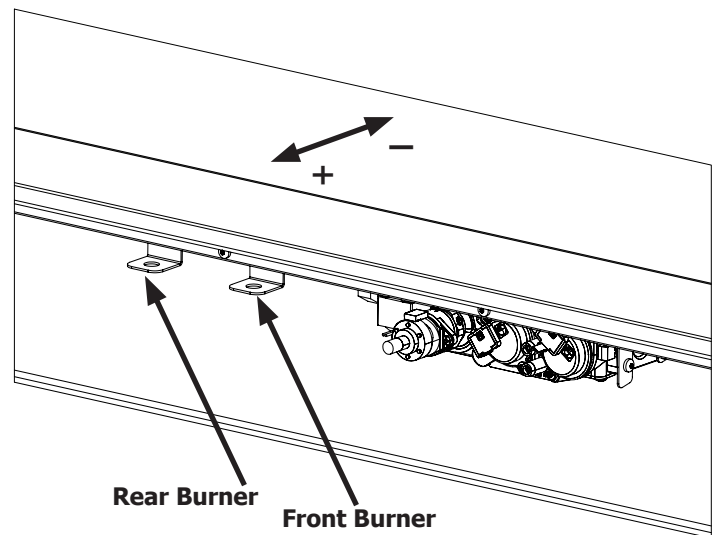


Figure 18. Air Shutter Location

MAINTENANCE AND SERVICE

ROUTINE MAINTENANCE:

Run through the following procedures to ensure the system is clean and working properly at least once a year. Check the burner to see if all the ports are clear and clean. Check the pilot to make sure it is not blocked by anything. The pilot flame should be blue with little or no yellow tips.

WARNING: Failure to position parts in accordance with this manual, or failure to use only parts specifically approved with this appliance may result in property damage or personal injury.

The venting system must be periodically examined; it is recommended the examination is done by a qualified agency.

CLEANING THE GLASS:

With the fireplace cooled, remove the surround panel and glass door (See MAINTENANCE AND SERVICE - SURROUND PANEL REMOVAL and MAINTENANCE AND SERVICE - GLASS DOOR REMOVAL). Check the gasket material on the back of the glass, making sure that it is attached and intact.

During a cold start up, condensation will sometimes form on the glass. This is a normal condition with all gas fireplaces. This condensation can allow dust and lint to cling to the glass surface which requires periodic cleaning.

Initial paint curing of the appliance can leave a slight film behind the glass, a temporary problem. The glass will need cleaning about two weeks after installation.

Use a mild glass cleaner and a soft cloth. Abrasive cleaners will damage the glass and painted surfaces. Depending on the amount of use, the glass should require cleaning no more than two or three times a season.

WARNING: Do not clean the glass when it is hot.

CLEANING THE FIREBOX:

Carefully remove the logs, they are fragile. Gently remove all the media and place on a paper towel. Vacuum the bottom of the firebox thoroughly. Carefully clean any dust off the logs and remove any lint from the burner and pilot. At this time, inspect the burner tube for cracking or severe warping. If a problem is suspected, contact the dealer. Check the logs for deterioration or large amounts of soot; a small amount on the bottom side of the logs is normal. Replace the logs as shown in the SECONDARY INSTALLATION - LOG SET INSTALLATION section. If new/more media is required, contact your nearest ENVIRO dealer.

REPLACING THE GLASS:

The glass in the fireplace is a high temperature ceramic. If the glass is damaged in any way, a factory replacement is required (see PARTS LIST). Wear gloves when handling damaged glass door assembly to prevent personal injury. Do not operate with the glass front removed, cracked or broken. Removal and replacement of the glass from the door **must** be done by a licensed or qualified service person. **The glass must be purchased from an ENVIRO dealer. No substitute materials are allowed.** To remove the door (see MAINTENANCE AND SERVICE - GLASS DOOR REMOVAL). The replacement glass will come with a new gasket installed. Remove any silicone remnants from the door. Apply high temperature around the perimeter of the door and install the new piece of glass with gasket. Apply even pressure to the glass to allow the silicone to adhere to the gasket material.

MAINTENANCE AND SERVICE

CLEANING DECORATIVE SURFACES:

Painted and porcelain faces should be wiped with a damp cloth periodically. If a plated face has been purchased, it should be unpackaged carefully to avoid getting anything on the surface of the finish, including cleaners, polish and finger prints. It is important to note that fingerprints and other marks can leave a permanent stain on plated finishes. **To avoid this, give the face a quick wipe with denatured alcohol on a soft cloth BEFORE lighting the fireplace.** Never clean the face when it is hot. Do not use other cleaners as they may leave a residue, which can become permanently etched into the surface.

SURROUND PANEL REMOVAL:

WARNING: Do not attempt to remove the surround panel until the unit has completely cooled.

There are four mounting hooks that hold the surround into position (see Figure 19). To remove the surround, it is easiest to grab with both hands on either side and lift up and bring outward. Upon installation, some adjustment from left to right may be needed to center the surround.

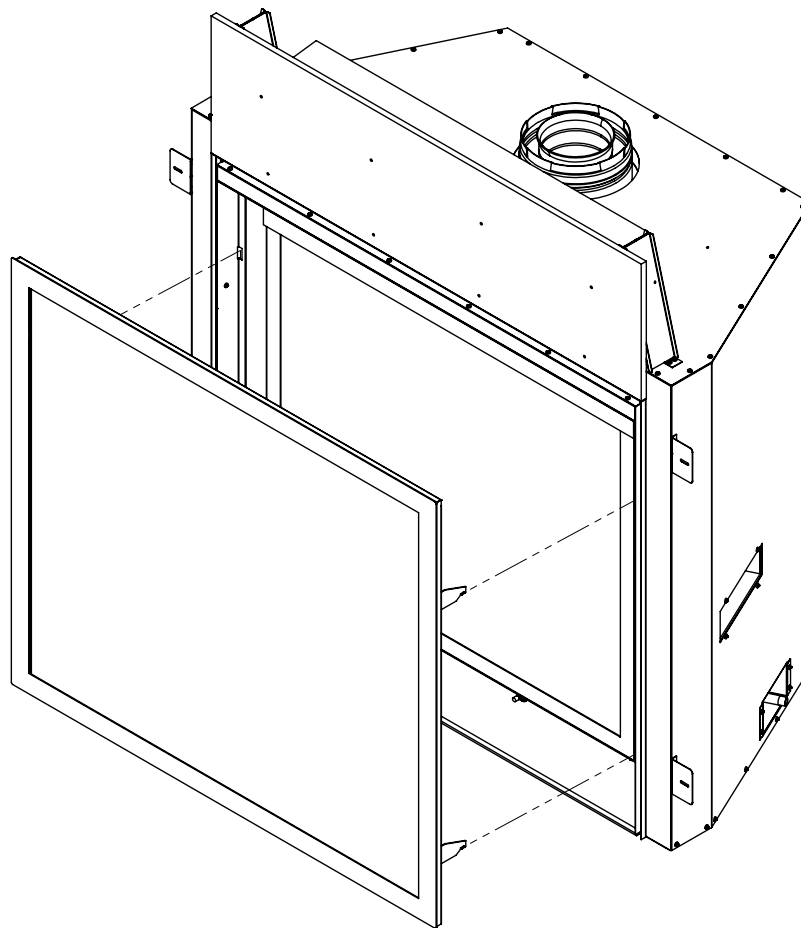


Figure 19. Surround Removal

MAINTENANCE AND SERVICE

DOOR COVER REMOVAL:

To remove the door cover, remove the two (2) wing nuts using your fingers then lift up and outward. Wing nuts are only for shipping and do not need to be reinstalled.

WARNING: Do not touch or attempt to remove the glass door if the fireplace is not completely cold.

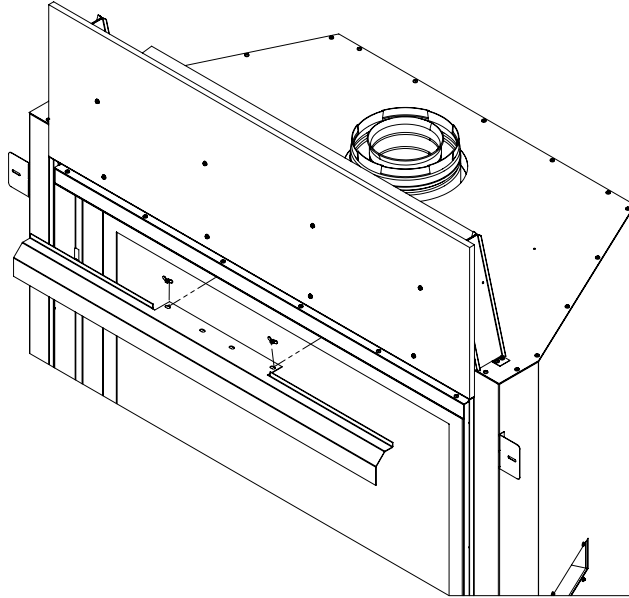


Figure 20. Door Cover Removal

GLASS DOOR REMOVAL:

To remove the glass door use a 3/8 socket to remove the 5 door bolts, rotate outward, and lift. To replace the door simply reverse the order; do not over tighten the bolts or they may strip.

WARNING: Do not touch or attempt to remove the glass door if the fireplace is not completely cold.

WARNING: Never operate the fireplace with the glass door removed.

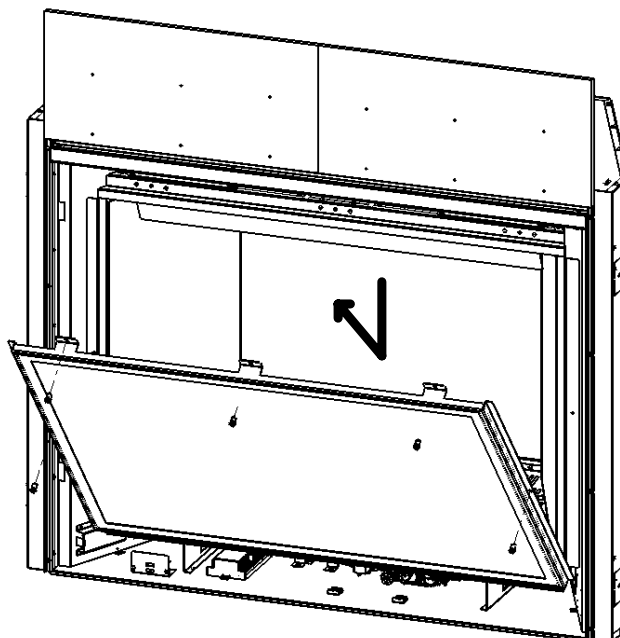


Figure 21. Glass Door Removal

MAINTENANCE AND SERVICE

The burners will need to be removed for maintenance and fuel conversion. Follow the procedure carefully.

Proceed only when the unit has completely cooled down.

BURNER ASSEMBLY REMOVAL:

1. Remove the surround panel (see MAINTENANCE AND SERVICE - SURROUND PANEL REMOVAL).
2. Remove the door cover (see MAINTENANCE AND SERVICE - DOOR COVER REMOVAL).
3. Remove the glass door (see MAINTENANCE AND SERVICE - GLASS DOOR REMOVAL)
4. Remove log set (if installed).
5. Remove the Log Grate by removing T20 screws.
6. Remove the four (4) T20 screws securing the front burner pan (see Figure 22). If needed, there are four T20 screws that fasten the Burner Wings to the burner that can be removed for easier access to the two lower T20 screws. Once the specified screws are removed lift up to remove.

To re-install the burners, follow steps above in reverse. When placing the burners back in the unit be sure not to move the air shutter.

Do not over tighten the burner screws or they might strip; just get them snug.

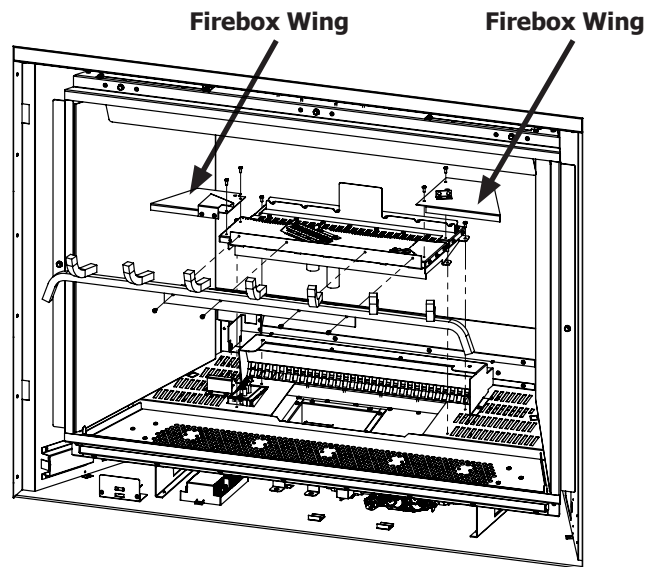


Figure 22. Front Burner Removal

FUSE REPLACEMENT:

1. Disconnect electrical power to the unit.
2. Remove the surround panel (see MAINTENANCE AND SERVICE - BURNER ASSEMBLY REMOVAL).
3. Remove the fuse cover by removing the two T-20 screws (see Figure 23).
4. Remove either fuse by removing the two T-20 screws (see Figure 23) if they appear damaged.
5. Reconnect power to the unit.

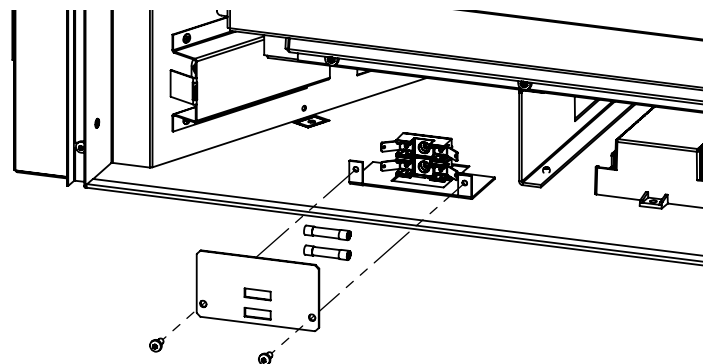


Figure 23. Fuse Removal

MAINTENANCE AND SERVICE

EMBER LIGHTS REMOVAL:

1. Disconnect electrical power to the unit.
2. Remove burner (see MAINTENANCE AND SERVICE - FRONT BURNER REMOVAL).
3. Remove glass media (if installed).
4. Remove media tray by removing the six (6) T-20 screws (see Figure 24).
5. Lift up light tray to reveal cover plate, remove the four (4) T-20 screws and feed the wires out along with the light tray (see Figure 25). Disconnect the wire connectors to fully remove. **Do not ever remove merettes.**
6. Wear cotton gloves when replacing halogen bulbs. Grab bulb firmly at the base and pull straight out to remove; replace bulb as necessary. Grab new bulb by the styrofoam sleeve - it is vital that your bare fingers to not contact the bulb (see Figure 26). **The oils from your fingers will greatly reduce the life-span of the bulb.**
7. Reconnect electrical power.

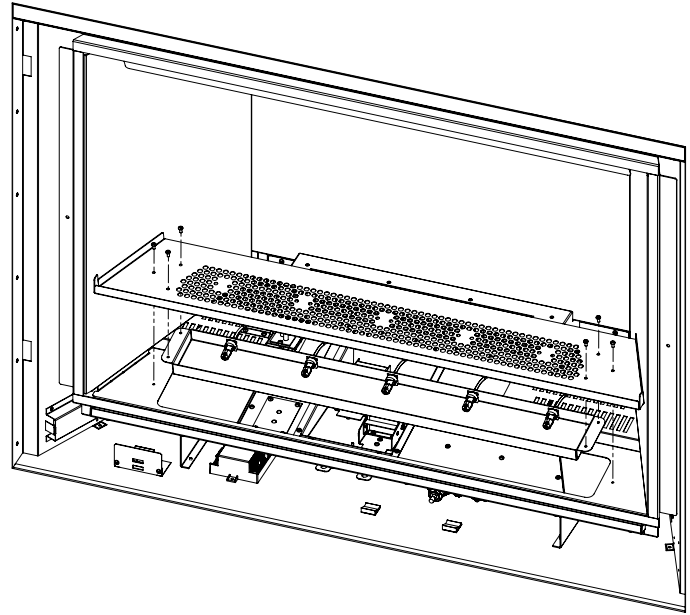


Figure 24. Media Tray Removal

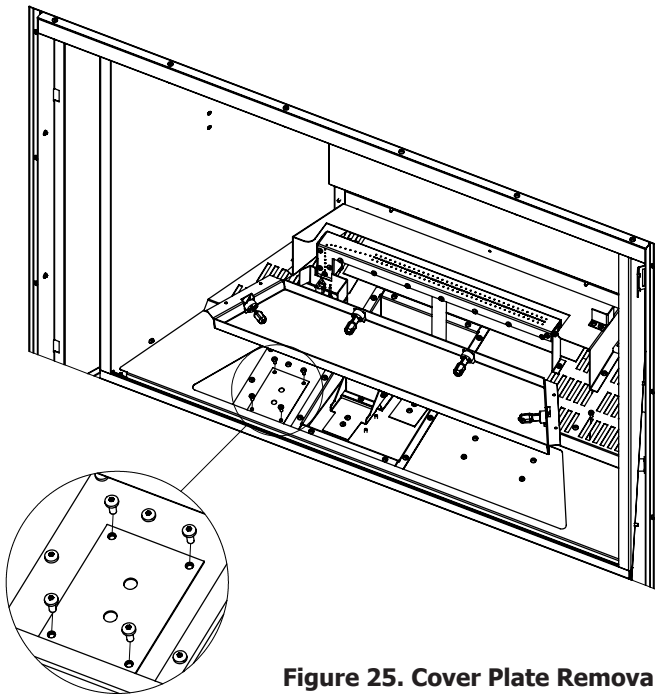


Figure 25. Cover Plate Removal

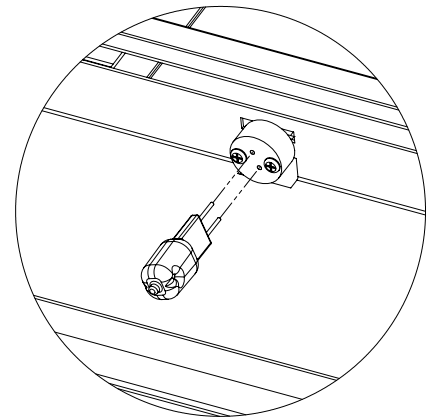


Figure 26. Halogen Bulb Replacement

MAINTENANCE AND SERVICE

TOP LIGHT REPLACEMENT:

1. Disconnect electrical power to the unit.
2. Remove glass door (see MAINTENANCE AND SERVICE - GLASS DOOR REMOVAL).
3. Remove light deflector (see Figure 27).
4. Remove the top light assembly by removing four (4) screws using a 5/16 socket (see Figure 28).
5. Grab the connectors firmly at the base to disconnect them from the bulb assembly. Remove assembly from unit then disconnect the ground wire.

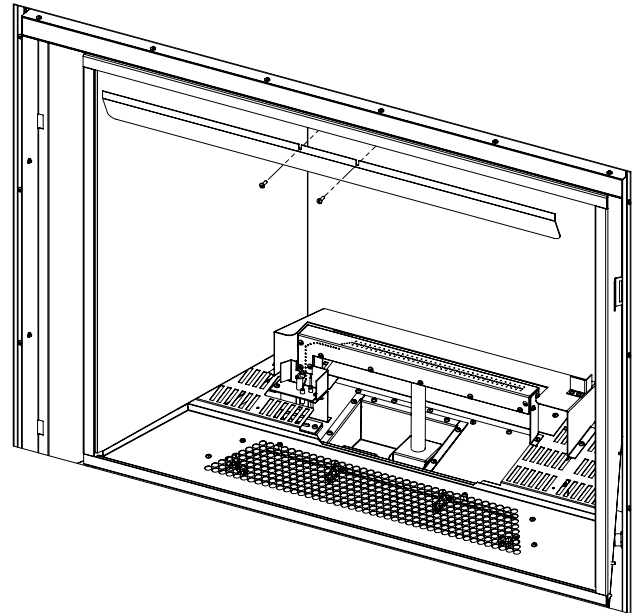


Figure 27: Light Deflector Removal

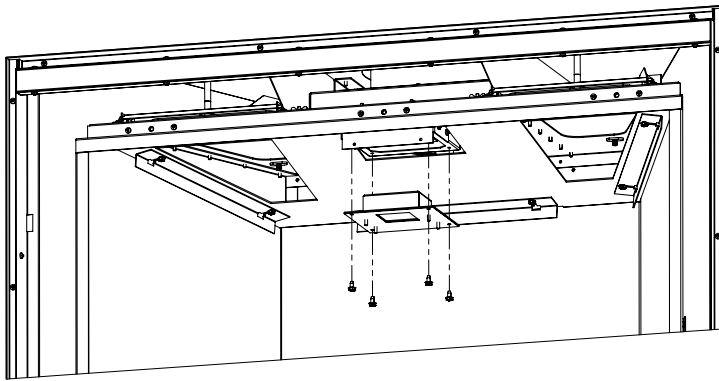


Figure 28: Top Light Removal

6. Remove the light cover by removing the two (2) T-20 screws. If light gasket is damaged, contact your ENVIRO dealer for replacement.
7. Replace the light assembly as necessary and assemble back into unit.
8. Reconnect electrical power.

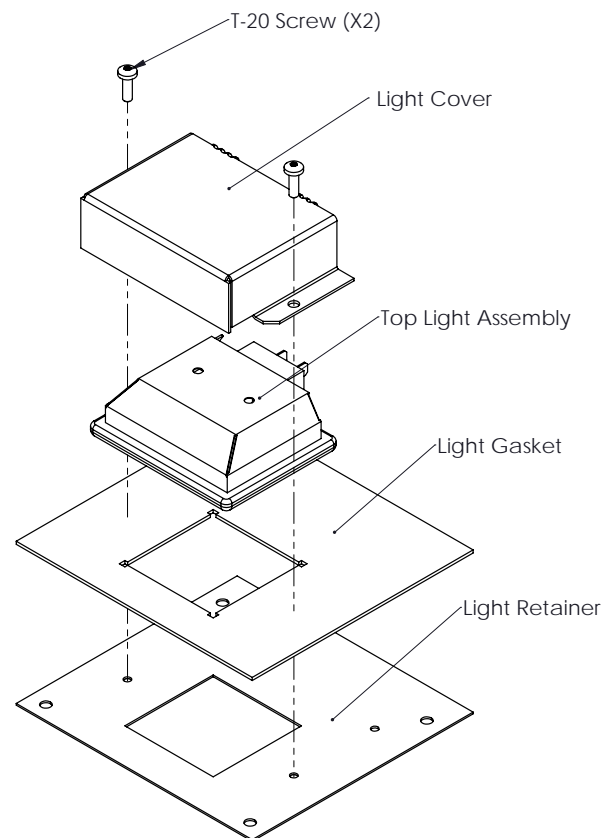


Figure 29: Top Light Assembly

MAINTENANCE AND SERVICE

FUEL CONVERSION:

TO BE INSTALLED BY A QUALIFIED SERVICE AGENCY ONLY

Please read and understand these instructions before installing.

Warning: This conversion kit shall be installed by a qualified service agency in accordance with the manufacturer's instructions and all applicable codes and requirements of the authority having jurisdiction. If the information in these instructions is not followed exactly, a fire, explosion or production of carbon monoxide may result causing property damage, personal injury or loss of life. The qualified service agency is responsible for the proper installation of this kit. The installation is not proper or complete until the operation of the converted appliance is checked as specified in the manufacturer's instructions supplied with the kit.

Kit Parts List for G50LI Model:

- 1 - LP Stepper Motor w/ Hardware
- 2 - Burner Orifices (LP - Front #53 Rear #52 DMS) as marked [included with unit]
- 3 - Conversion Labels [included with unit]
- 1 - Installation Instruction Sheet [included in Owner's Manual]

Carefully inspect all parts supplied with this conversion kit. If any parts have been damaged or are missing, contact your dealer, distributor or courier company to have them replaced before starting this installation.

CONVERSION KIT INSTALLATION:

1. **Disconnect the gas supply completely as well as any electrical power source before proceeding.**
2. Remove surround panel, door cover, glass door, front burner, and rear burner (see MAINTENANCE AND SERVICE section of Owner's Manual).
3. Convert the existing burner orifices with the ones provided in this kit using a 3/8 inch deep socket.
WARNING: BE SURE TO INSTALL THE CORRECT ORIFICE INTO THE CORRECT PORT

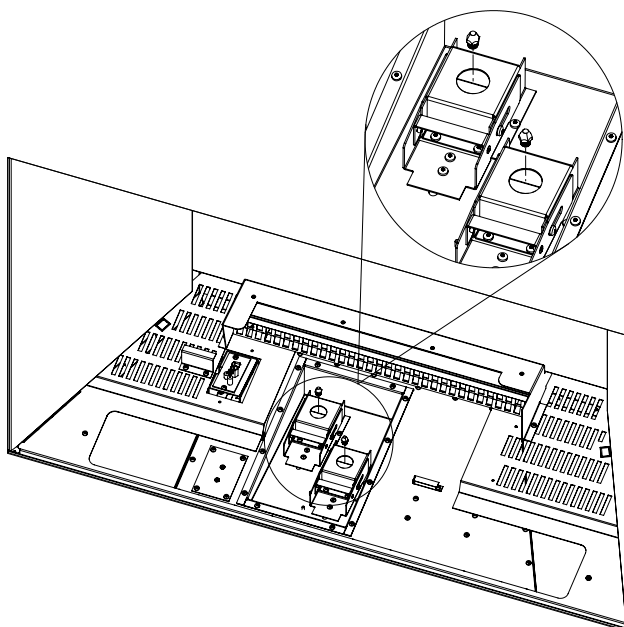


Figure 29: Orifice Locations

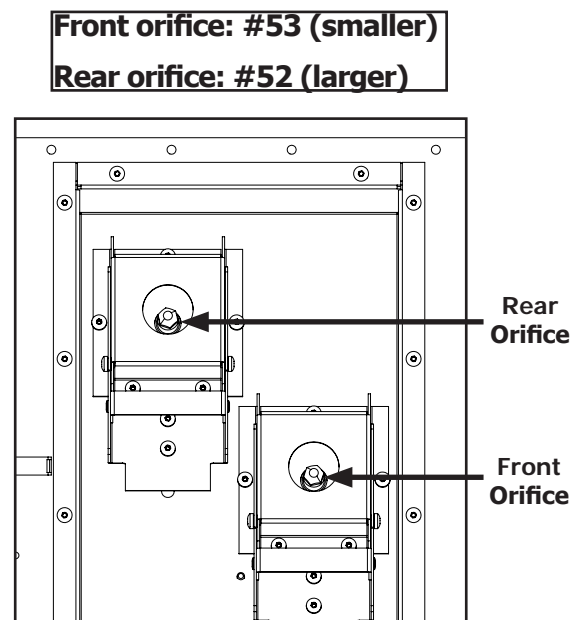


Figure 30: Orifice Locations

MAINTENANCE AND SERVICE

4. Convert the existing pilot orifice using a 7/16 inch wrench. Loosen the pilot head and move the orifice slider to the opposite side. A red dot on the exposed side will indicate the pilot is set to LP. Retighten pilot, if head does not reach proper orientation in the snug position then contact your Enviro dealer.
5. Convert the gas valve:
 - a) Remove the existing stepper motor using a T20 screwdriver (see Figure 32).
 - b) Remove the rubber diaphragm and spring within; do not reuse.
 - c) Install the new stepper motor with integrated diaphragm assembly using longer hardware.
 - d) Plug new motor into existing wiring harness.



Figure 31: Pilot Slider

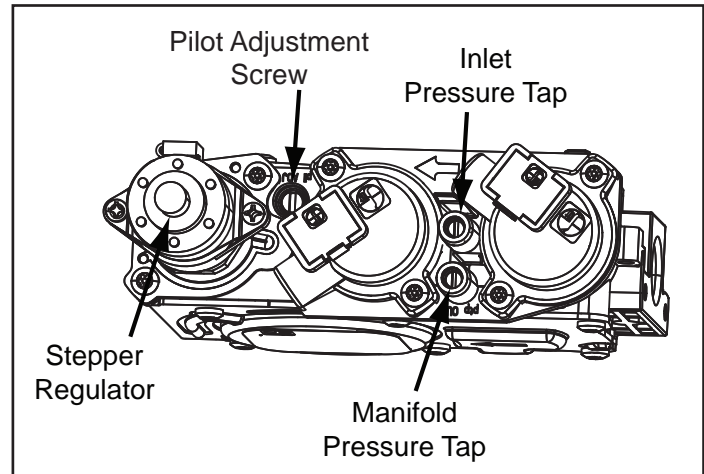


Figure 32: Gas Valve Diagram

1. Reinstall burners, log grate, burner media, logs, and glass door (see MAINTENANCE AND SERVICE section of Owner's Manual).
2. Purge any air from gas line and reconnect to unit.
3. Use a small brush and apply a warm soapy water solution to all gas connections. If a gas leak is present, bubbling will occur. Gas leaks can be repaired by using a gas approved pipe thread sealant. **WARNING: NEVER USE AN OPEN FLAME WHEN TESTING FOR GAS LEAKS.**
4. Reconnect electrical power to the unit.
5. Light the pilot and recheck for leaks in the aluminum pilot line. If a leak is evident, contact your ENVIRO dealer for a pilot line replacement. **WARNING: DO NOT ATTEMPT TO FIX THIS LINE, IT MUST BE REPLACED IF DAMAGED.** The pilot should properly cover the thermocouple. If adjustment is necessary, turn the adjustment screw in the valve (see Figure 32) clockwise to decrease and counter-clockwise to increase until the correct flame is achieved.
6. Start the main burner and verify full range of adjustment using the UP/DOWN key. Confirm the inlet and manifold gas pressures are within the acceptable range using a manometer (see INITIAL INSTALLATION - GAS LINE CONNECTION AND TESTING). If this unit has been installed at an altitude higher than 2000ft (610m) it is required to de-rate the unit accordingly.

In the USA: The appliance may be installed at higher altitudes. Please refer to your American Gas Association guidelines which state: the sea level rated input of Gas Designed Appliances installed at elevations above 2000 (610 m) feet is to be reduced 4% for each 1000 feet (305 m) above sea level. Refer also to local authorities or codes which have jurisdiction in your area regarding the de-rate guidelines.

In Canada: When the appliance is installed at elevations above 4500 feet (1372 m), the certified high altitude rating shall be reduced at the rate of 4% for each additional 1000 feet (305 m).

7. **MAKE SURE** that the conversion labels provided are installed on or close to the rating label to signify that the unit has been converted to a different fuel type.

INITIAL INSTALLATION

QUALIFIED INSTALLERS ONLY

INTRODUCTION:

This section of the owner's manual is for the use of qualified technicians only. There are several installation safety guidelines that must be adhered to; please carefully read the safety precautions at the front of this manual.

UNIT INSTALL PREPARATION:

Review the diagram below to familiarize yourself with the parts included with the unit. Please review the following instructions carefully to ensure the unit is prepared properly before installation.

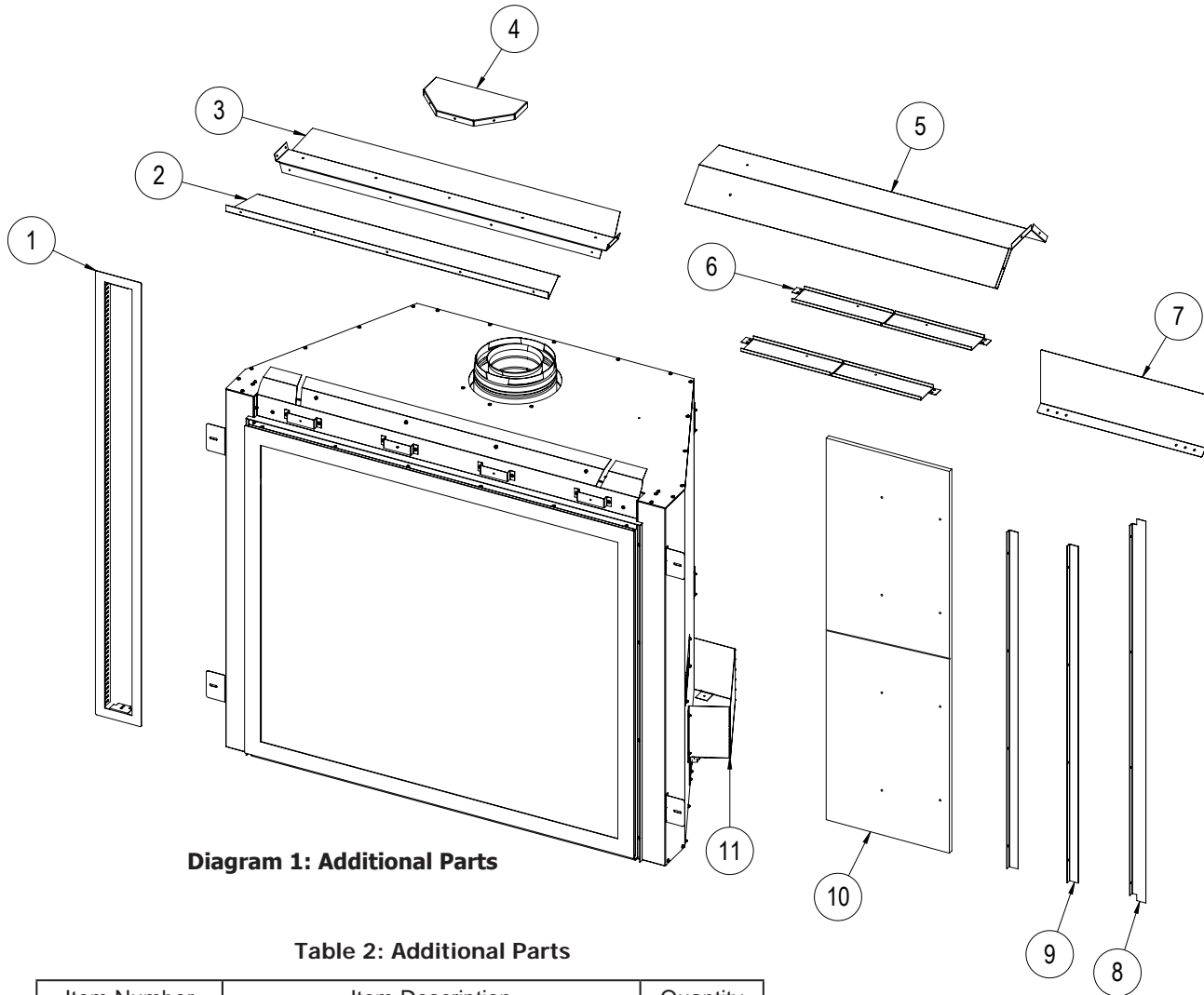


Table 2: Additional Parts

Item Number	Item Description	Quantity
1	Cool Surface System Bezel	1
2	Heat Shield Support	1
3	Standoff Brace	1
4	Top Heat Shield	1
5	Vertical Heat Shield	1
6	Top Standoff	2
7	Rear Heat Shield	1
8	Top Facing Extension	1
9	Side Facing Extension	2
10	Non-Combustible Board (2 piece)	(2)
11	Cabinet Holster (If Equipped)	2

INITIAL INSTALLATION

QUALIFIED INSTALLERS ONLY

Step 1. (If Equipped) Remove cabinet holsters from either side of the unit using a T-20 screwdriver. These parts are for packaging purposes only and are no longer required.

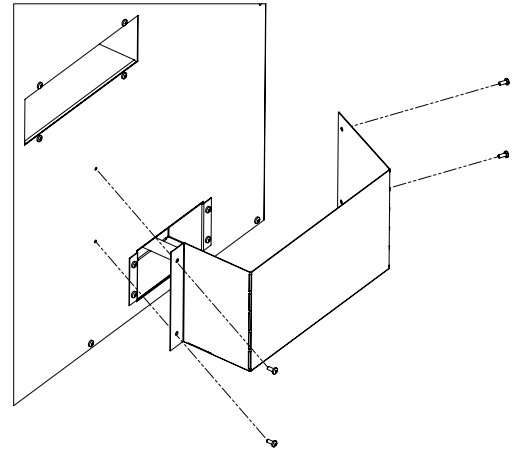


Figure 33: Cabinet Holster Removal

Step 2. There are four (4) nailing flanges to secure the unit to the framing, they are assembled flat from the manufacturer. Remove the upper T-20 screw and rotate each nailing flange upward until the bare nailing flange hole lines up and reinstall the T-20 screw. Bend the flange 90 degrees making it flush with the cabinet face.

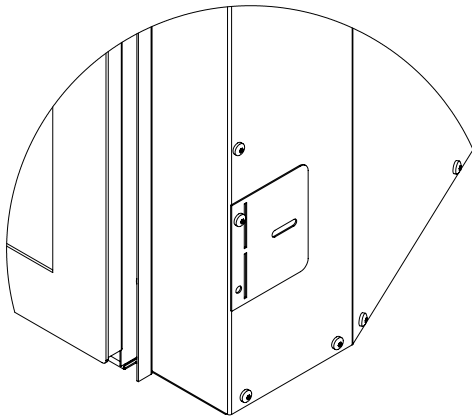


Figure 34: Nailing Flange Flat

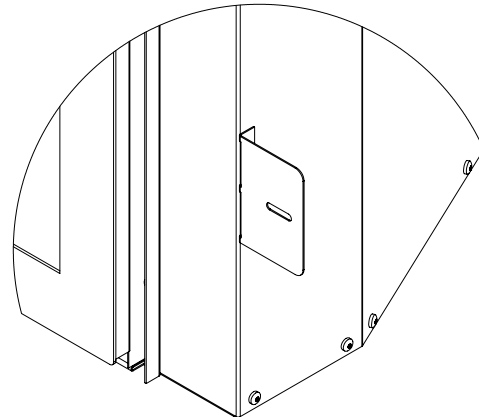


Figure 35: Nailing Flange Assembled

Step 3. Bend top standoffs by hand to form general shape.

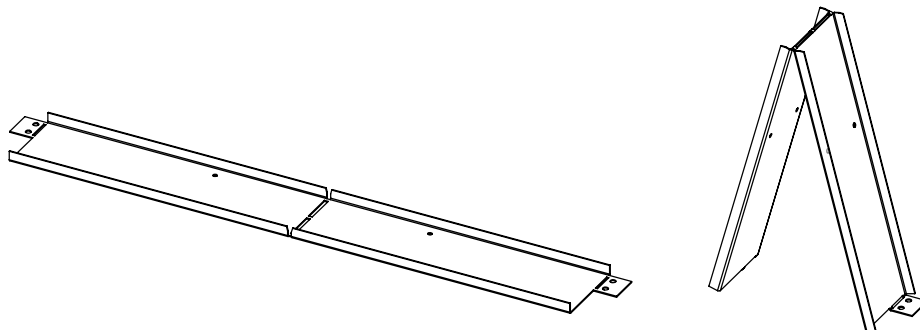


Figure 36: Top Standoff Shape

INITIAL INSTALLATION

QUALIFIED INSTALLERS ONLY

Step 3. Install top standoffs into position using supplied T-20 screws.

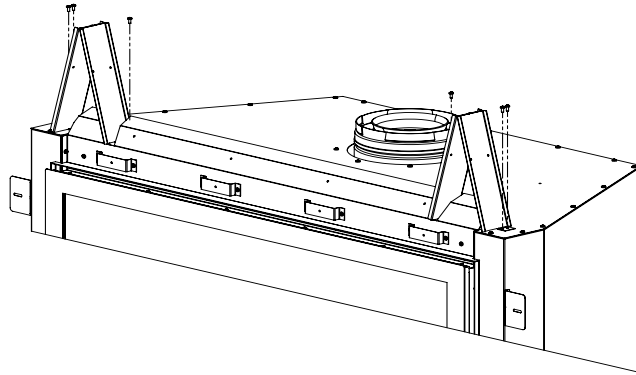


Figure 37: Top Standoff Install

Step 4. Install heat shield support using four (4) supplied T-20 screws.

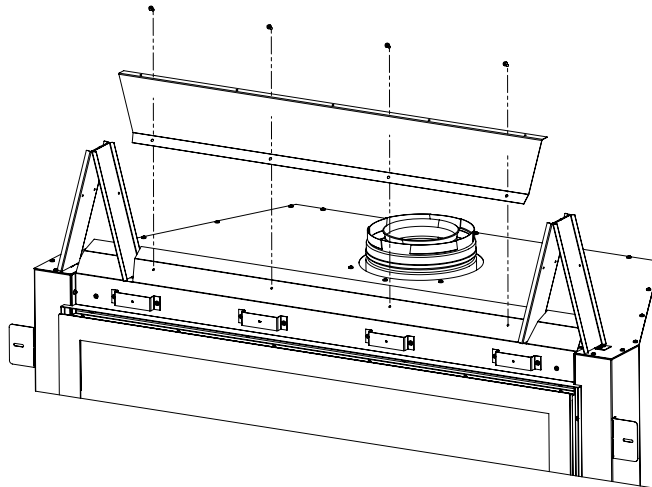


Figure 38: Heat Shield Support Install

Step 5. Install standoff brace using nine (9) supplied T-20 screws.

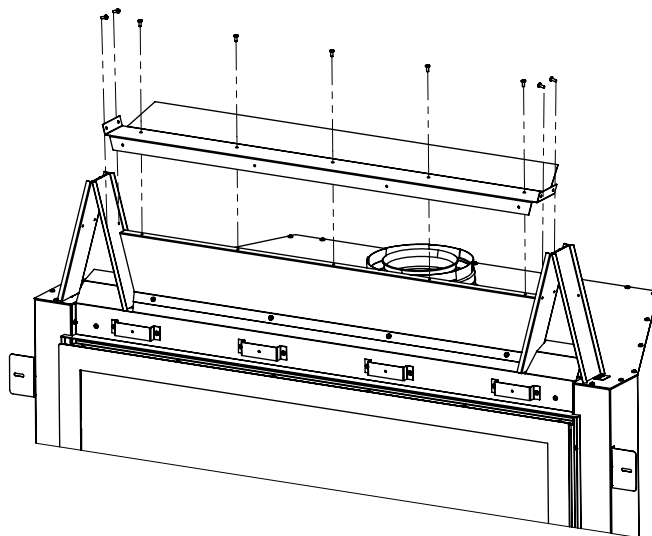


Figure 39: Standoff Brace Install

INITIAL INSTALLATION

QUALIFIED INSTALLERS ONLY

Step 6. (Situational) If you plan on using facing material that has a total thickness greater than 7/8 inch then facing extensions are required. Remove existing facing flanges and replace them with the supplied extensions using a T-20 screwdriver.

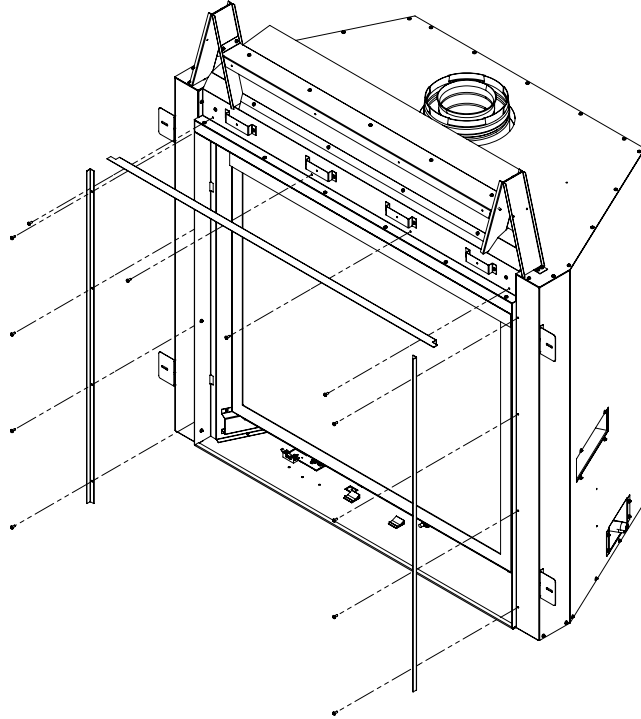


Figure 40: Standoff Brace Install

Step 7. Install the supplied non-combustible facing boards with twelve (12) supplied 8-32 x.75 fasteners and a 1/4 inch socket. These screws can be found in the manual bag, remove them and install the board. Line up the holes and drill fasteners into the board until the screw head is flush with facing board. **CAUTION: DO NOT DRILL INTO THE BOARD ANY FURTHER OR IT MAY CRACK.** This board is mandatory unless CSS is used, if it is damaged contact you ENVIRO dealer.

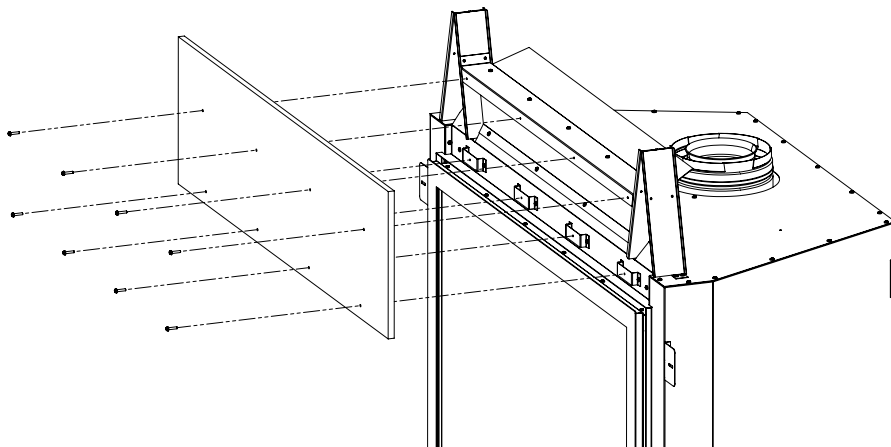


Figure 41: Standoff Brace Install

INITIAL INSTALLATION

QUALIFIED INSTALLERS ONLY

PLACEMENT AND FRAMING:

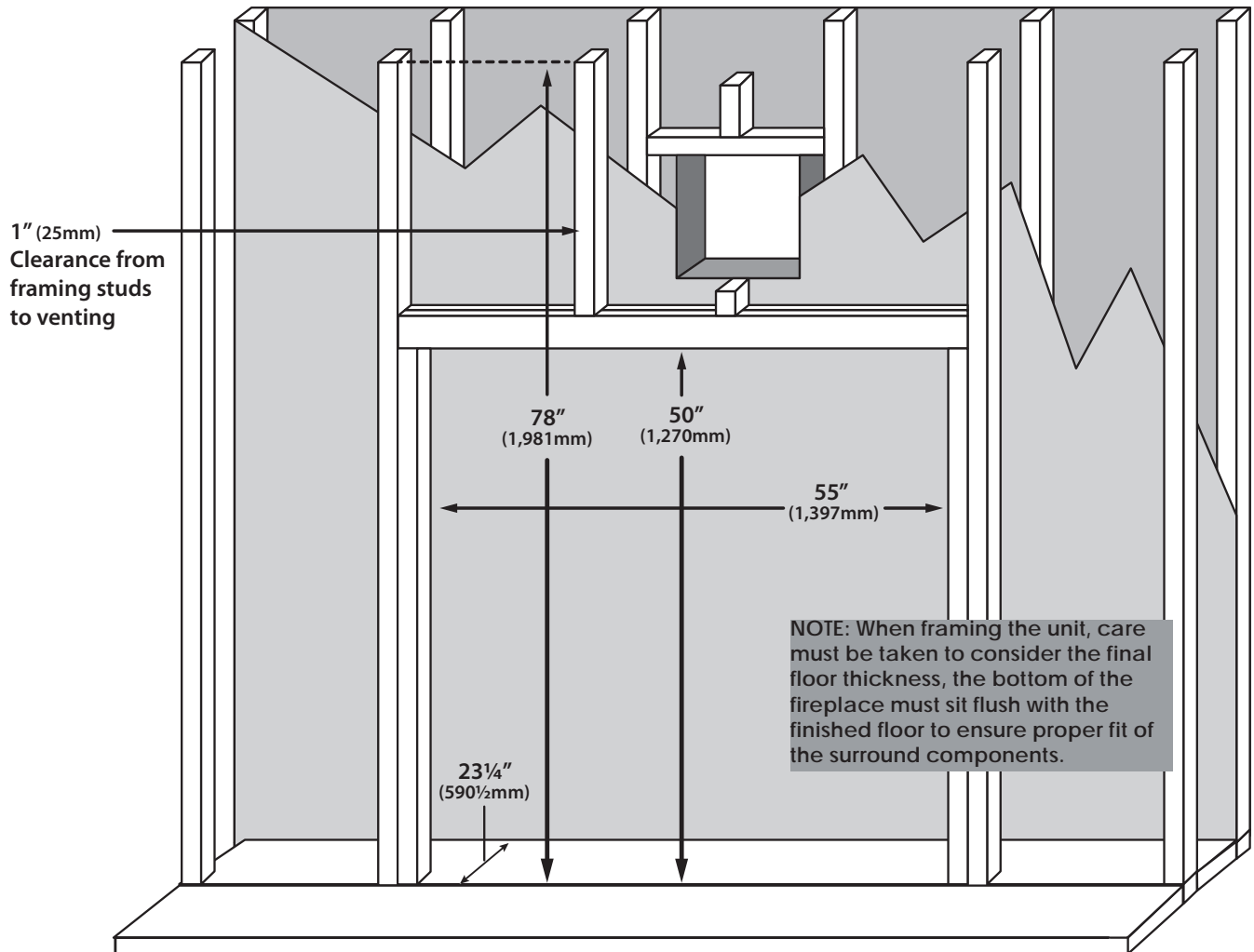


Figure 42: G50 Minimum Framing

Table 3: G50 Minimum Framing

Minimum Framing Dimensions		
Depth	23 1/4"	591mm
Width	55"	1397mm
Header Height	50"	1270mm
Enclosure Ceiling	78"	1981mm

The location for the fireplace can be raised, at floor level, or installed in a corner. There are minimum framing measurements for each situation. The basic rough opening should have the following dimensions (see Figure 42). The fireplace must be placed on a strong and level surface.

The gas line must be run to the right side of the fireplace, there is a 3/8 NPTM fitting to connect the gas line to. The electrical wiring must be brought to the left side. The location of the fireplace should be chosen so there will be at least a **36 inches (914 mm)** clearance from drapes, doors and other combustible materials.

INITIAL INSTALLATION

QUALIFIED INSTALLERS ONLY

VENT HEAT SHIELDS:

All vent configurations require installation of the vertical vent heat shield. Remove the three (3) T-20 screws from their respective locations and use to secure the shield in position (see Figure 43).

The horizontal vent heat shield is only required for minimum vertical rise vent configurations. Use three (3) supplied T-20 screws to secure it to the vertical vent heat shield (see Figure 43).

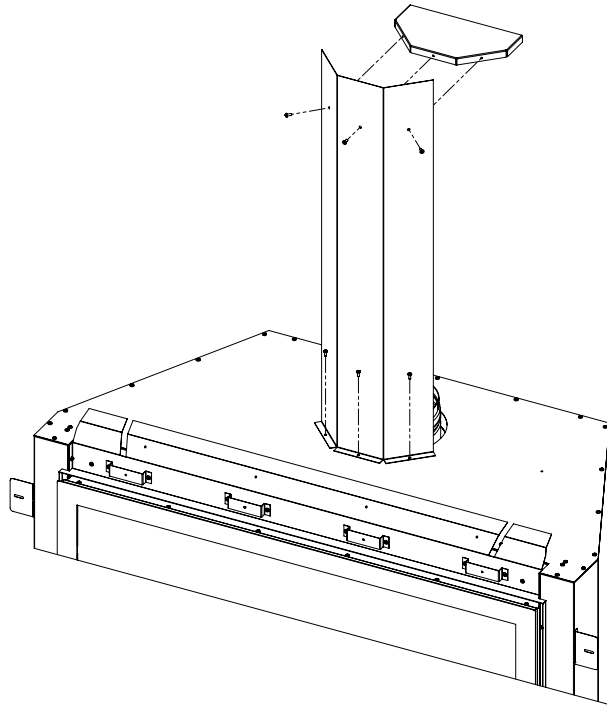


Figure 43: Vent Shields

Any venting configuration that passes through a vertical exterior wall requires the rear heat shield installation. Center the shield over the vent pipe and secure to exterior wall framing (see Figure 44). The bottom of the mounting flange should be approximately 1 inch (254mm) above the top of the vent pipe.

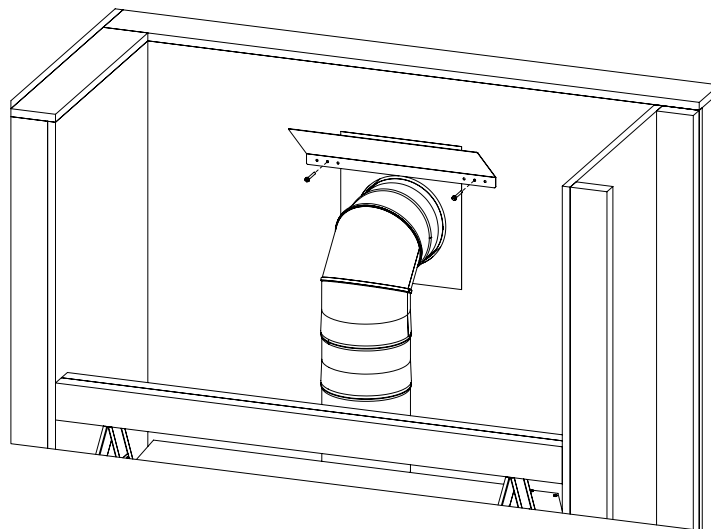


Figure 44: Rear Heat Shield

INITIAL INSTALLATION

QUALIFIED INSTALLERS ONLY

Combustible material may be brought up to any finishing edge ONLY if the Cool Surface System (CSS) has been correctly activated allowing heat in the chase to be vented. This system keeps the front wall cool enough for any combustible materials. The supplied non-combustible board can still be used but is not mandatory when the CSS is activated, combustible material may overlap in this situation.

If the CSS has NOT been activated (Traditional Install) you MUST use a non-combustible material directly above the fireplace extending up the front wall 11 3/4" from the top finishing edge, it is recommended to use the supplied non-combustible board. Combustible material must **NOT** be brought up to the top finishing edge. Also combustible material **CANNOT** overlap the non-combustible board on a traditional installation.

NOTE: These are exact dimensions, add tolerance when cutting finishing material to ensure fit around the finishing edge.

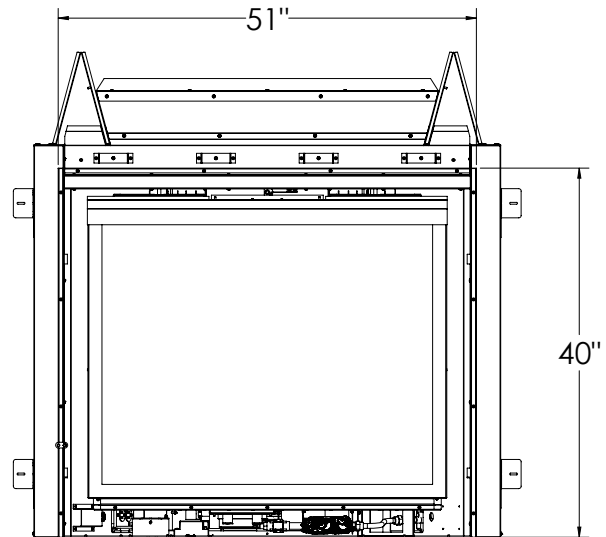


Figure 45: Finishing Edge Dims

COOL SURFACE ACTIVATION:

WARNING: IT IS ESSENTIAL THAT THE CHASE IS VENTED IN A MANNER THAT RELIEVES THE ADDITIONAL HEAT ENTERING THE CHASE. ENSURE ONE OF THE AVAILABLE FRAMING OPTIONS HAVE BEEN CONSTRUCTED IN ACCORDANCE WITH THIS MANUAL. FAILURE TO DO SO CAN CREATE AN OVERHEATING SITUATION THAT COULD LEAD TO BUILDING FIRE.

Ensure your chase has been constructed in a manner that vents the chase into the same room. It is not permitted to vent the chase into an adjoining room. The CSS bleeds heat off the fireplace into the chase as opposed to climbing up the front face. This dramatically lowers the front wall temperatures allowing the placement of delicate objects above the fireplace. Review the guidelines in the previous sections to ensure your install is in accordance with the framing specifications. Follow these instructions to activate the CSS feature. The non-combustible board included with the fireplace is no longer required when using CSS.

Step 1. Remove top portion of the facing flange using a T-20 screwdriver.

Step 2. Remove CSS front cover using a T-20 screwdriver (see Figure 46).

The CSS system is now activated.

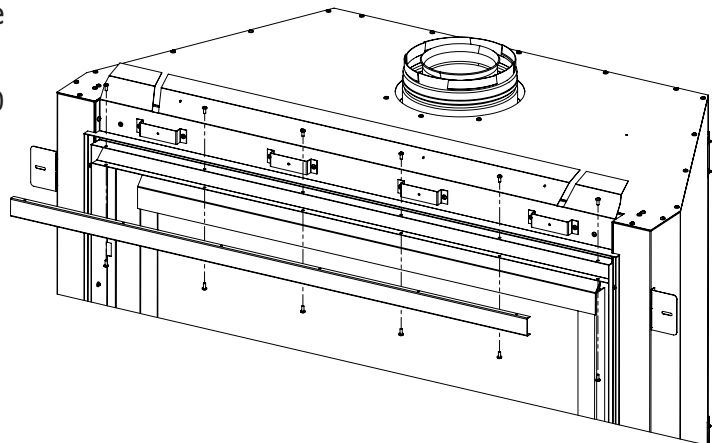
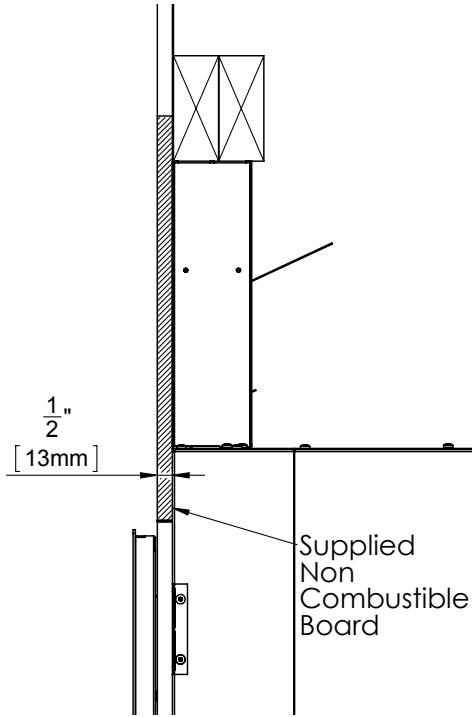


Figure 46: Front Cover Removal

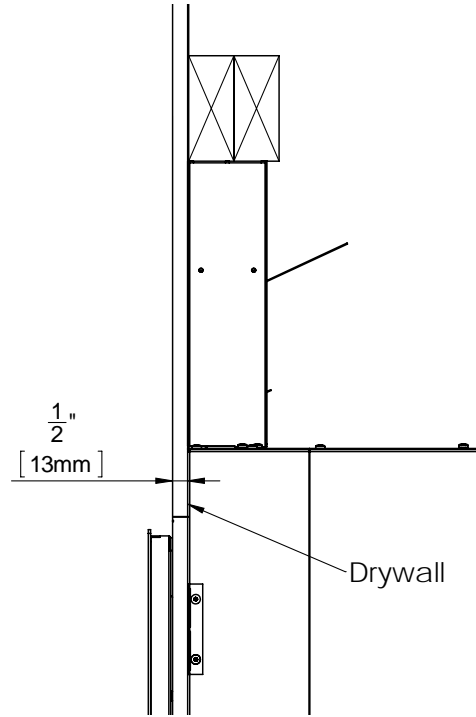
INITIAL INSTALLATION

QUALIFIED INSTALLERS ONLY

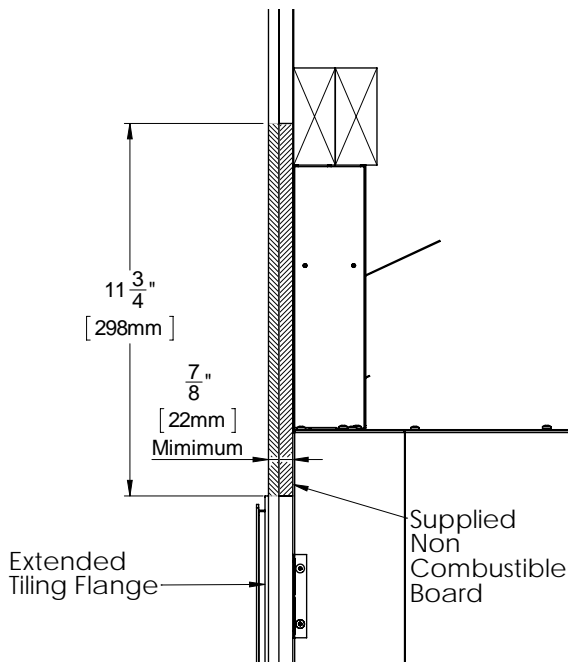
Standard Install: the on-combustible is mandatory. Image shows single layer finishing material using the short finishing edge.



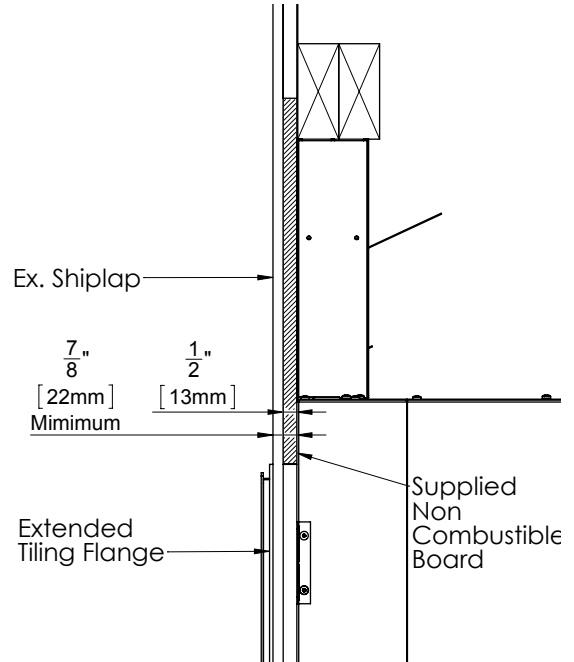
Cool Surface System (CSS) Install: Image shows the short finishing edge, **combustible** can be brought right down to the finishing edge.



Standard Extended Install: Using the supplied long finishing edge, **non-combustible** material may be layered on top of the supplied Non-combustible board. Supplied board not needed for thick **non-combustible** finishes like rock.



Cool Surface System Extended Install: Using the supplied long finishing edge, **combustible** material may be layered on top of the supplied Non-combustible board. Supplied board is not needed for thicker **combustible** finishes.



INITIAL INSTALLATION

COOL SURFACE FRAMING: QUALIFIED INSTALLERS ONLY

This fireplace is manufactured with a built-in heat distribution kit, referred to as the Cool Surface System (CSS). The purpose of the CSS is to dramatically reduce the front wall temperatures above your fireplace. This is very useful when delicate objects such as a TV or artwork are mounted above the unit. Using this feature will also allow you to use combustible facing materials right up to the finishing edge. It is extremely important these instructions are followed meticulously. If not installed correctly this could be very dangerous and could lead to building fire. If the CSS is activated it is crucial that the chase is vented in accordance to this manual. There are a few different options available to finish the CSS.

Framing Option 1: Front Discharge (flush wall installations) - Construct the framing in a way that provides a minimum 55 inch (1397mm) by 3 inch (76mm) gap at the top of the facing wall. It is essential that these dimensions are respected and not to deviate away from them when using combustible materials inside the chase (see Figure 48).

Note: If you wish to construct the CSS air discharge part way up a tall wall then it is essential to build a false ceiling inside the chase at the desired height to direct the rising heat out of the gap.

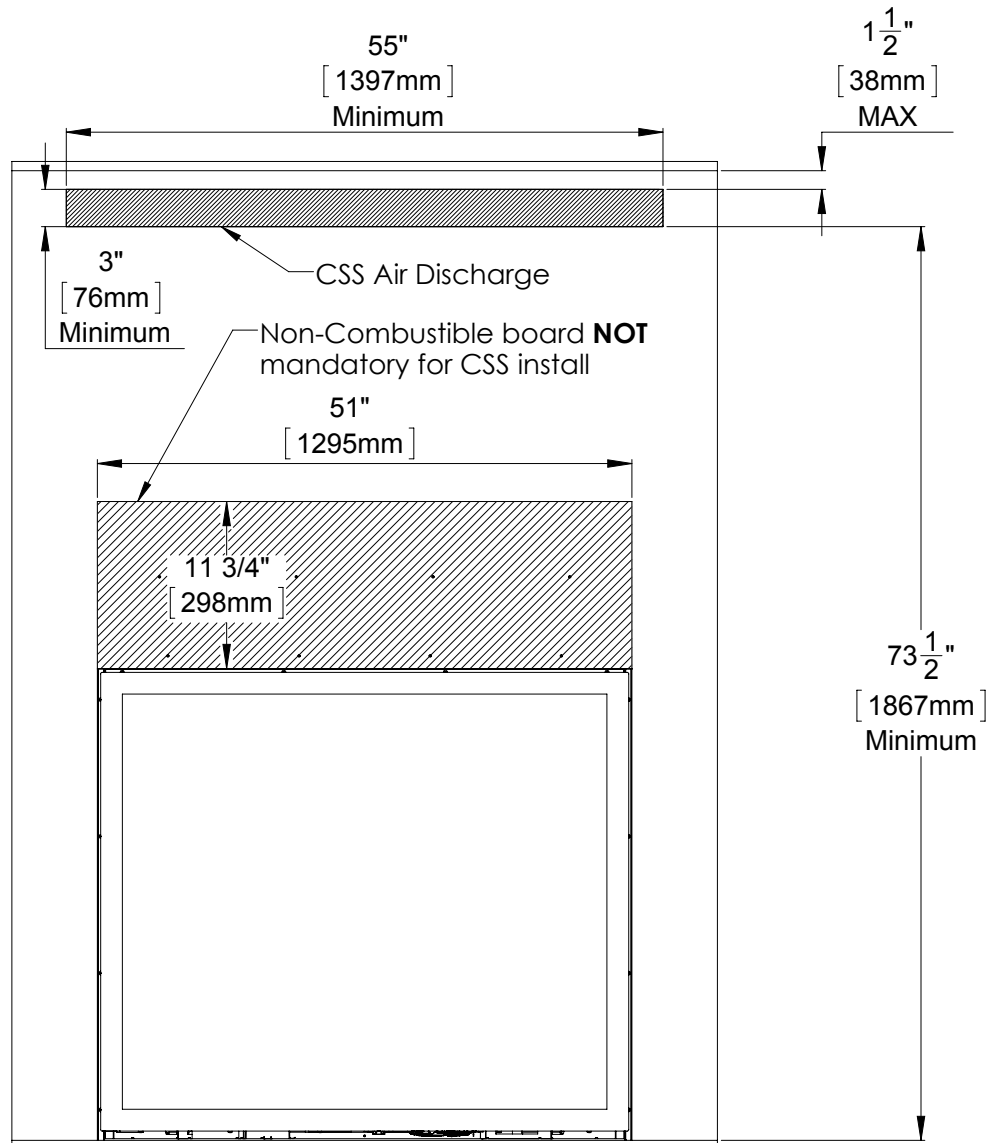


Figure 48: Framing Option 1

INITIAL INSTALLATION

QUALIFIED INSTALLERS ONLY

Option 2: Open Chase (built-out installations) - This could be considered the most discreet option when considering the CSS. The chase must be constructed in a way that stops short of the ceiling, leaving it totally vented above. Minimum framing dimensions must be followed when constructing this option and not to deviated from them when using combustible materials. Consider **Optional 3: Valance** to work in conjunction with this option.

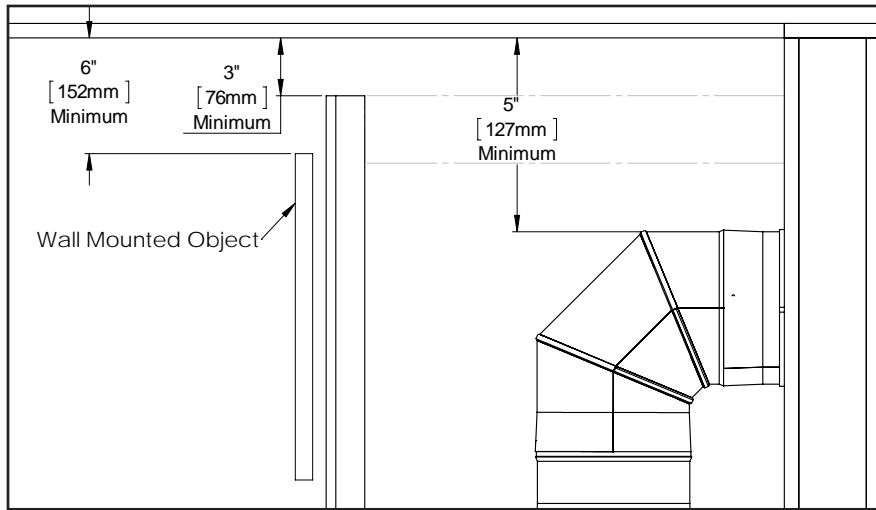


Figure 49: Option 2

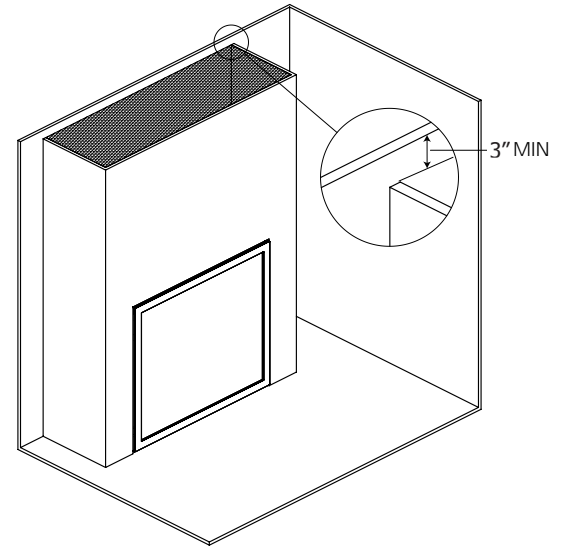


Figure 50: Open Chase Iso View

Option 3: Valance - A valance may be desired to accentuate or hide the CSS outlet. Consider framing option 1 or 2 to utilize the valance feature. This is an optional decorative feature that covers up the CSS outlet gap. Minimum opening and valance dimensions must be followed to ensure safe heat dissipation. Combustible material is acceptable when constructing the valance. It is acceptable to wrap the valance around the three sides of a built out chase (Option 2).

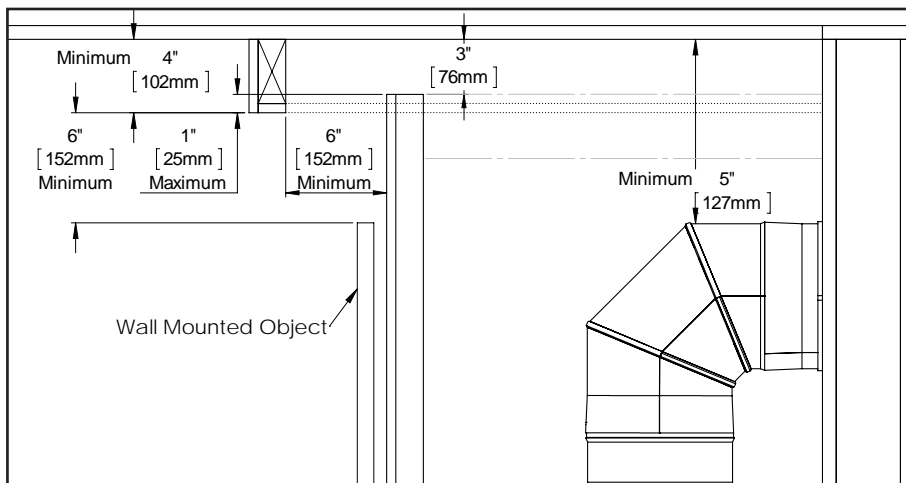


Figure 51: Valance Install

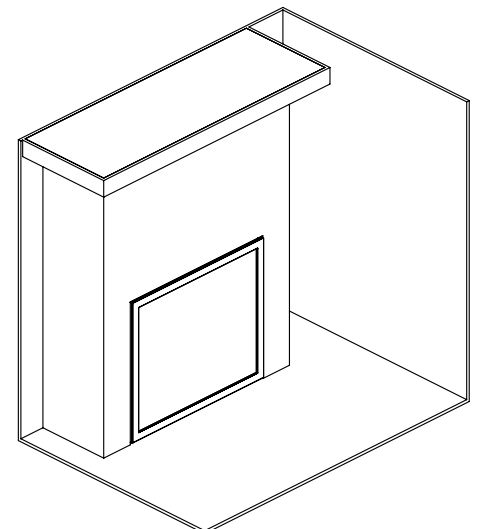


Figure 52: Valance Iso View

INITIAL INSTALLATION

QUALIFIED INSTALLERS ONLY

Option 4: Bezel - The included bezel may be desired to accentuate the CSS outlet. This installation will also cover the edge of the finishing material at the cutout. Construct the framing in a way that provides a 55 inch (1397mm) by 3 inch (76mm) cutout to mount the bezel. The top of the cutout must be 1 1/2" from the top of the chase. It is essential that these dimensions are followed and not to deviated from them when using combustible materials inside the chase (see Figure 53).

Note: If you wish to construct a similar cutout part way up a tall wall then it is essential to build a false ceiling inside the chase at the desired height to direct the rising heat out of the gap.

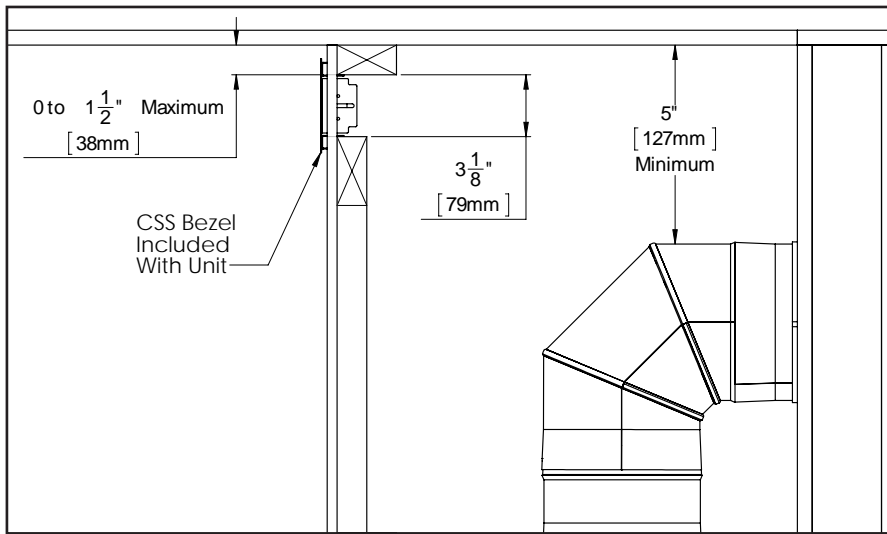


Figure 53: Option 3 Bezel

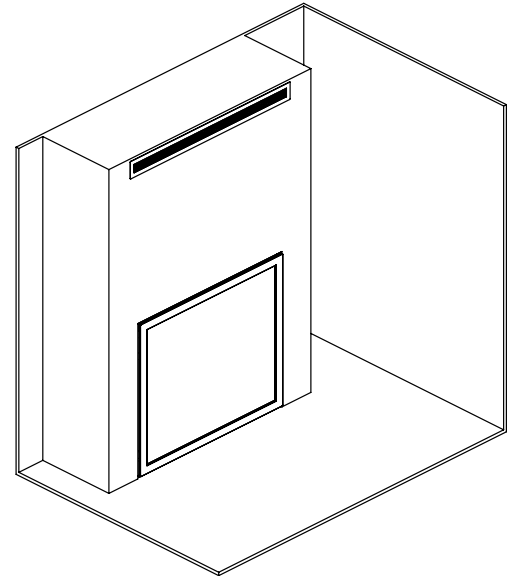


Figure 54: Bezel Iso View

Optional: False Ceiling - If your ceiling dimension is greater than the minimum (See figure 42) You may want the CSS Air discharge lower on the wall. To do this a false ceiling is required to properly evacuate the heat from the chase. (See Figure 55).

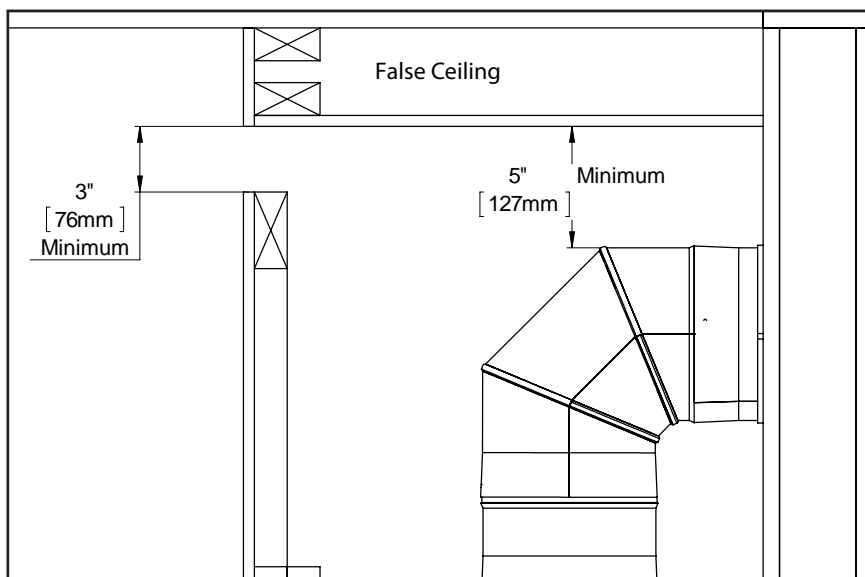


Figure 55: False Ceiling

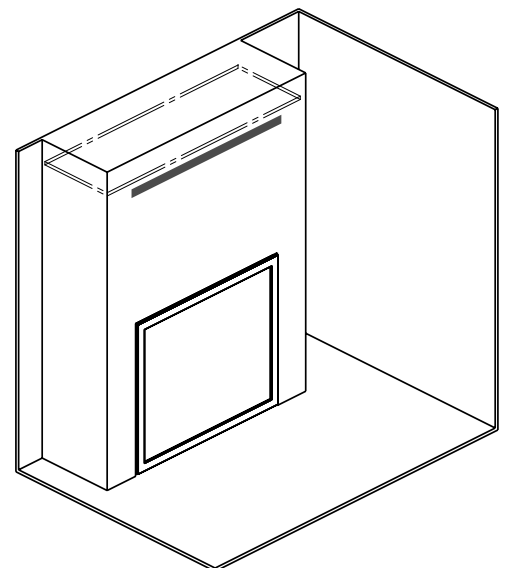


Figure 56: False Ceiling Iso View

INITIAL INSTALLATION

QUALIFIED INSTALLERS ONLY

FLAT WALL INSTALLATION:

These are the minimum allowable dimensions required to safely operate the fireplace. Plan your entire installation before proceeding.

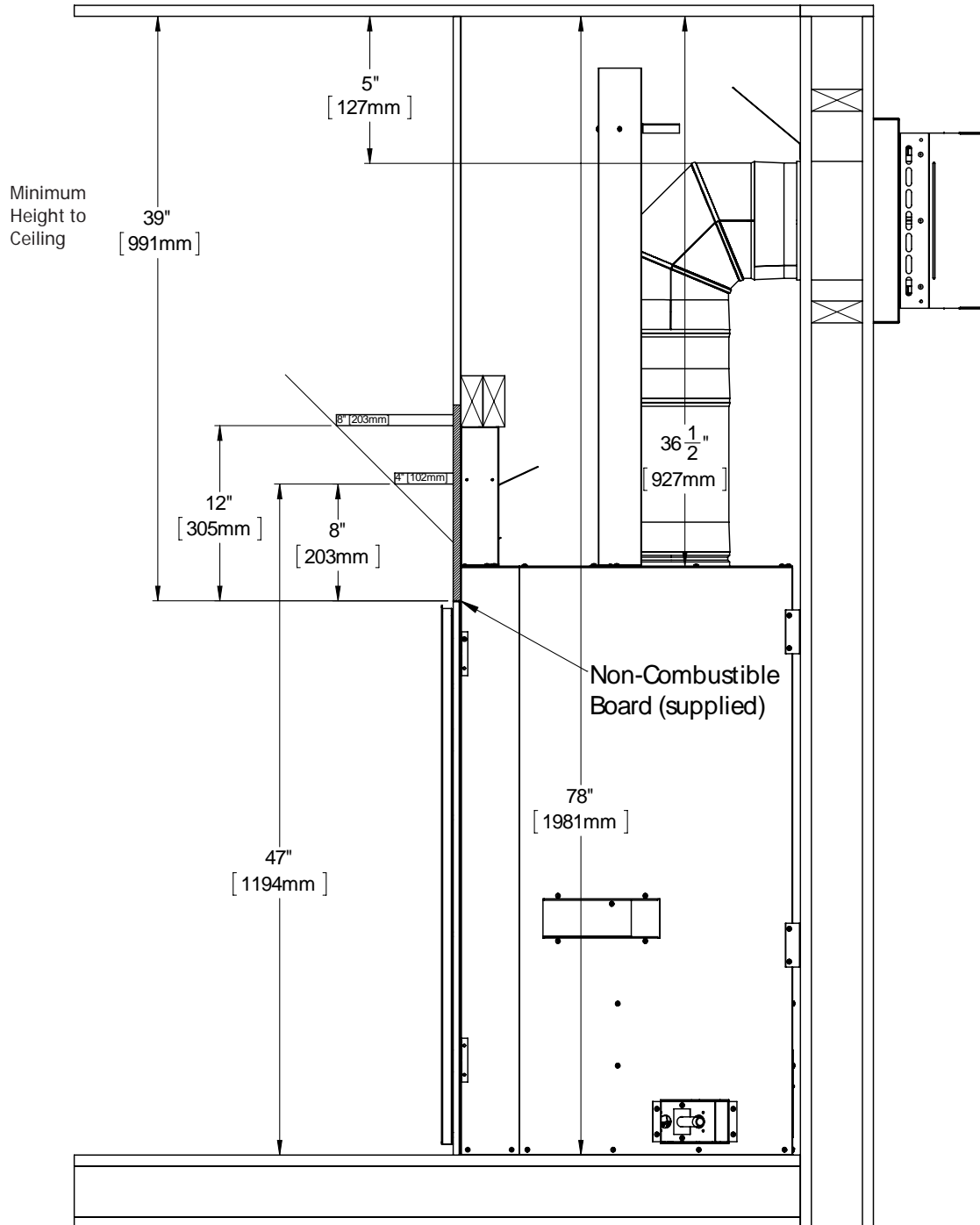


Figure 57: Flat Wall Installation

INITIAL INSTALLATION

QUALIFIED INSTALLERS ONLY

RECESS INSTALLATION

These are the minimum allowable dimensions required to safely operate the fireplace. Plan your entire installation before proceeding. The maximum allowable depth for a recess in $3\frac{1}{2}$ " (90mm).

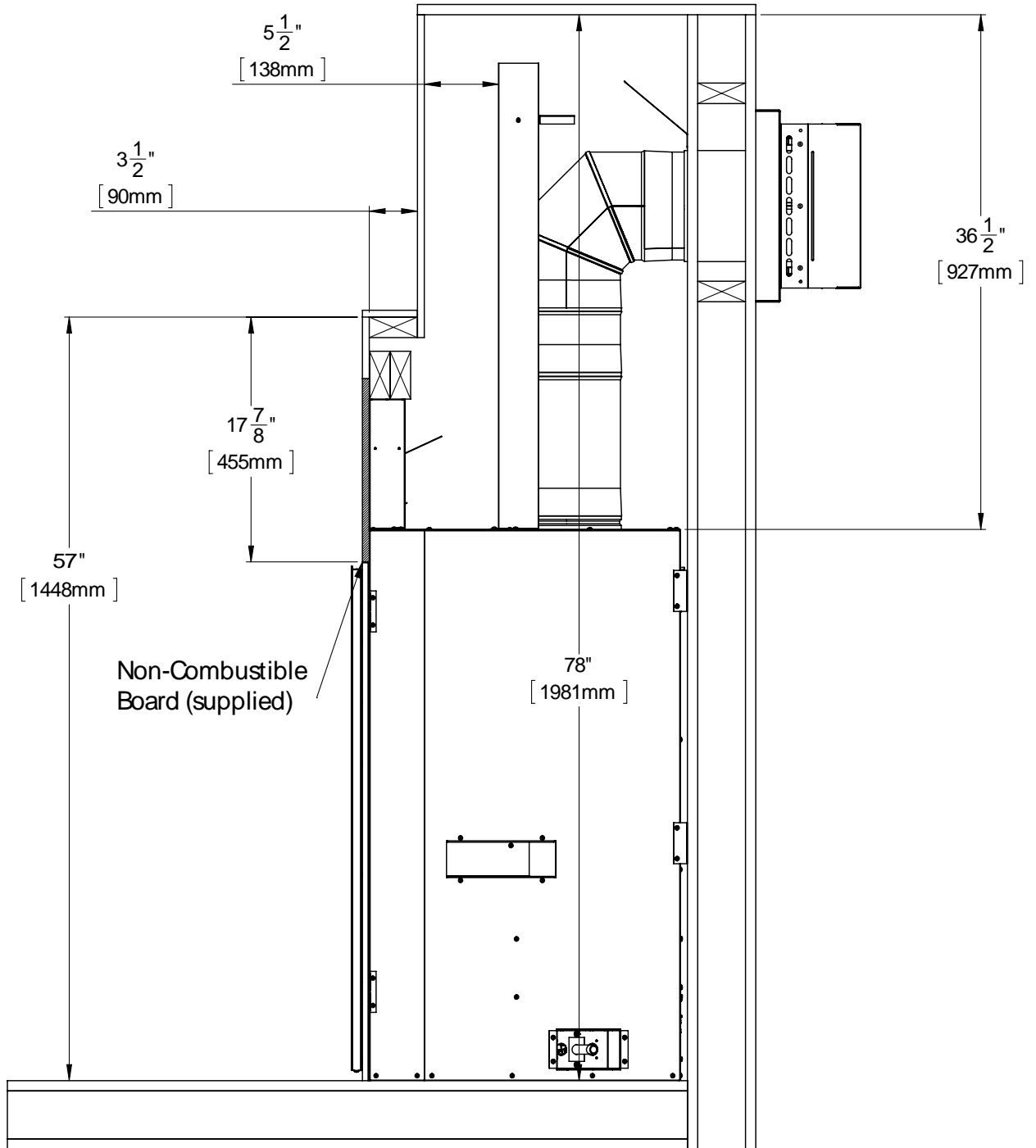


Figure 58: Recess Installation

INITIAL INSTALLATION

QUALIFIED INSTALLERS ONLY

CORNER INSTALLATION:

These are the minimum allowable framing dimensions required to safely operate the fireplace in a corner install. Plan your entire installation before proceeding.

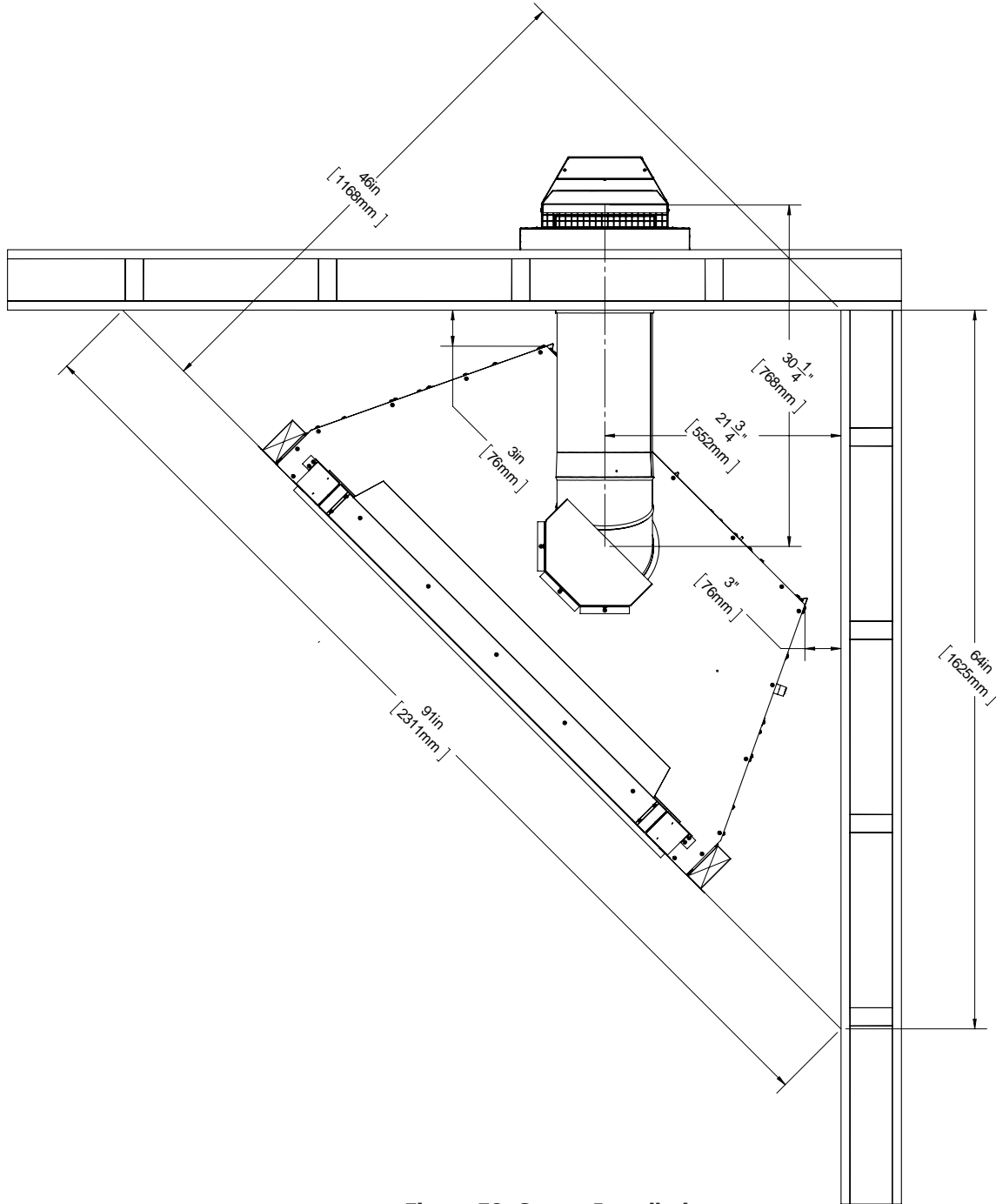


Figure 59. Corner Installation

INITIAL INSTALLATION

QUALIFIED INSTALLERS ONLY

FLOOR PROTECTION:

The fireplace must be placed on a solid and level floor; plywood is recommended for basic installations. A protective hearth is not required but highly recommended for the longevity of sensitive flooring materials in front of the fireplace.

If masonry is to be used, prepare the necessary foundation for the masonry load. When masonry construction is being used, a lintel must be used over top of the fireplace to support the added weight.

Consider the height of hearth finish material (stone, brick, etc.) when building a fireplace platform. The bottom of the fireplace must be level with finished hearth.

WARNING: DO NOT OBSTRUCT THE BOTTOM AIR GAP WITH FLOORING MATERIAL. RAISE THE FIREPLACE TO MATCH FLOOR THICKNESS.

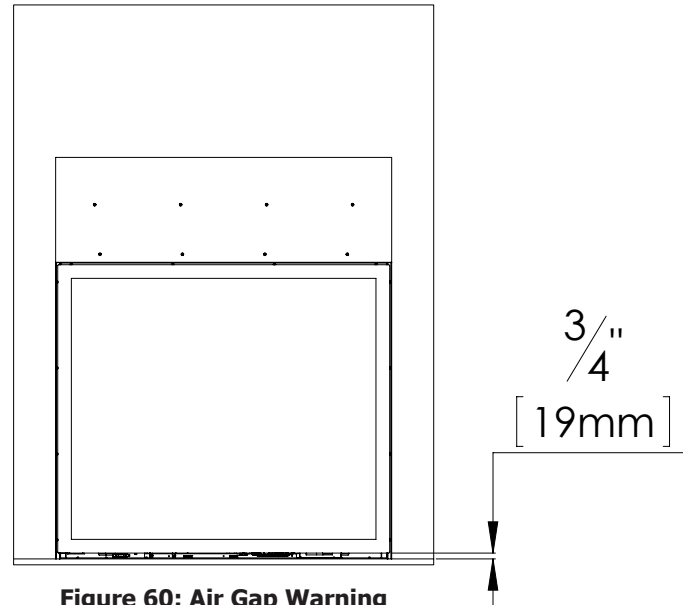


Figure 60: Air Gap Warning

MANTEL REQUIREMENTS:

First determine what mantel height or depth you would like and use the graph to determine the minimum corresponding dimension. Mantel graph dimensions are measured from the bottom of the fireplace, if you wish to reference the mantel height from the tiling edge subtract 39 inches (991mm) from the mantel height depicted on the graph. If you plan to install a TV above your fireplace refer to the appropriate section for available options. It is acceptable to install a combustible mantel over top of the non-combustible board.

If you are activating the COOL SURFACE SYSTEM you are eligible to subtract 4" (102mm) from the mantel height shown in this diagram.

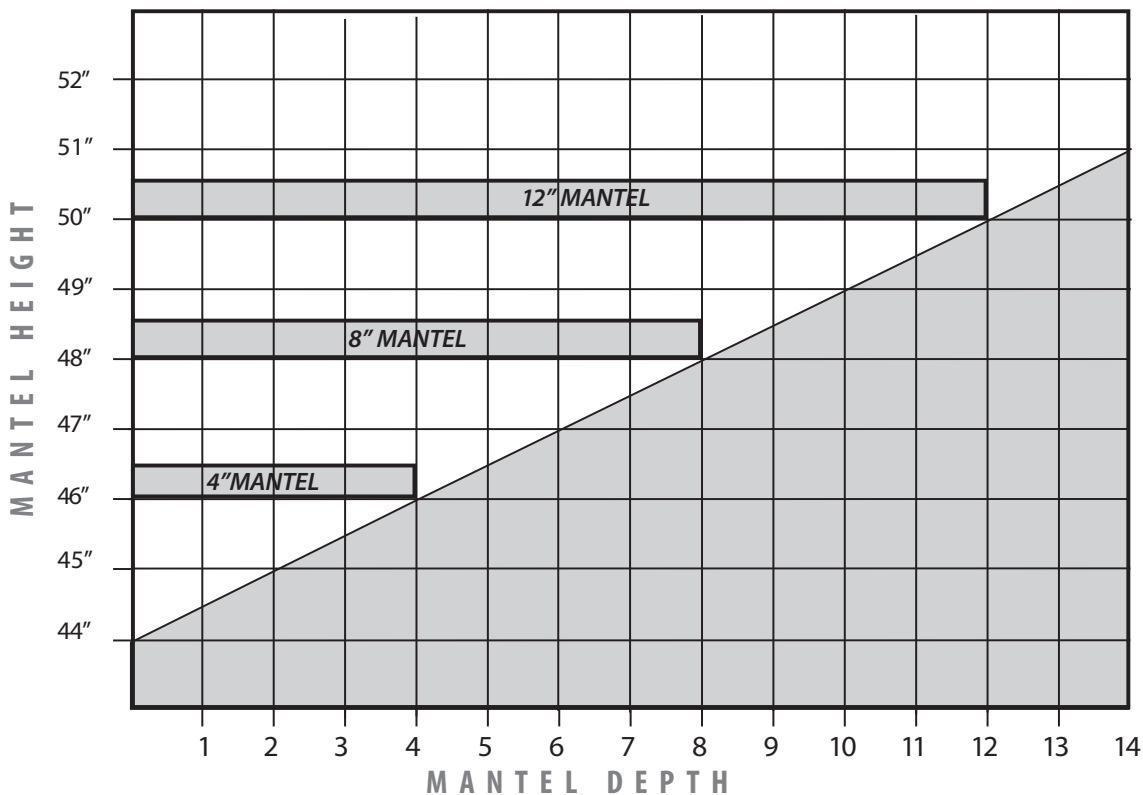


Diagram 2: Mantel Graph

INITIAL INSTALLATION

QUALIFIED INSTALLERS ONLY

MINIMUM VENTING REQUIREMENTS:

This appliance uses a 5" (127mm) exhaust / 8" (203mm) air intake vent pipe system. For safe and proper operation of the appliance follow the venting instructions exactly. Deviation from the minimum vertical length can create difficulty in burner start-up and sooting. Allow several minutes for the flame to stabilize after ignition under extreme vent configurations. It is recommended for vent lengths that pass through unheated spaces (garages, attics, crawl spaces) be insulated to minimize condensation.

NOTE: At least 3" (76mm) of clearance is required above vent when passing through an exterior wall when horizontally terminating.

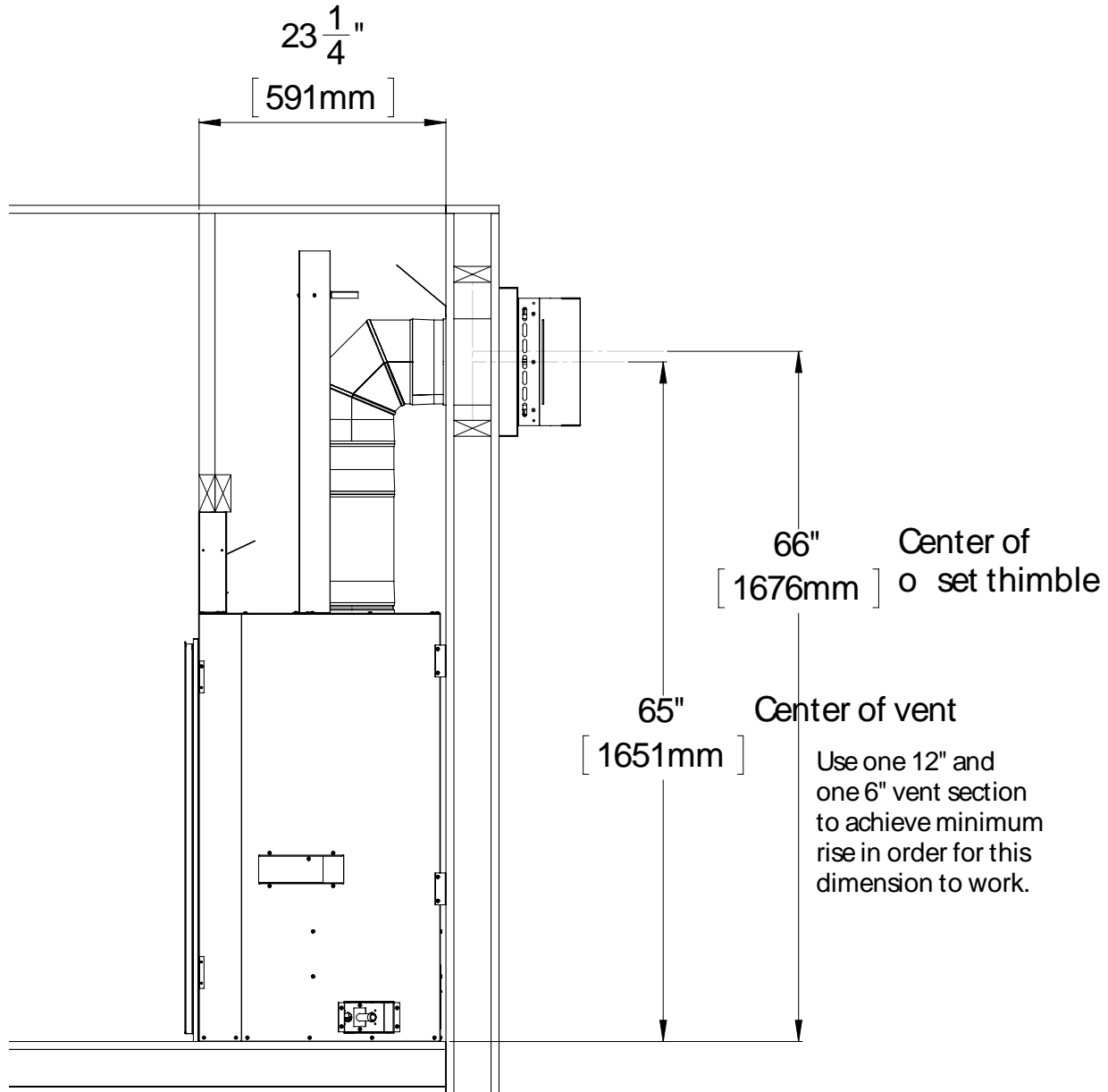


Figure 61: Minimum Vent

INITIAL INSTALLATION

QUALIFIED INSTALLERS ONLY

FLEX VENTING:

This fireplace is certified to work with aluminum co-axial flex venting; figure out your venting configuration to determine which option is correct for your particular setup (see APPROVED CO-AXIAL VENT CONFIGURATIONS section of Owner's Manual). **WARNING: Adhere to all rigid venting safety measures and clearances.**

Note: Flex venting can be used for any configuration that rigid is approved for.

Approved flex venting options:

5X8 BDM Pro-Form 5ft kit [50-3374]: Complete venting kit for "up & out" applications, vertical rise between 18" (457mm) and 30" (762mm).

5X8 BDM Pro-Form 10ft kit [50-3404]: Complete venting kit for "up & out" applications, vertical rise between 30" (762mm) and 78" (1981mm).

5X8 Flex Adapter Kit [50-3789]: This kit will allow you to adapt co-axial flex to the fireplace, make your vent run, then adapt back to rigid venting (**flex not included**).

5X8 Duravent 4ft length [58DVA-48FF]: Flexible solution to an otherwise rigid vent run (DuraVent Pro systems ONLY, order through dealer).

5X8 Duravent 10ft length [58DVA-120FF]: Flexible solution to an otherwise rigid vent run (DuraVent Pro systems ONLY, order through dealer).

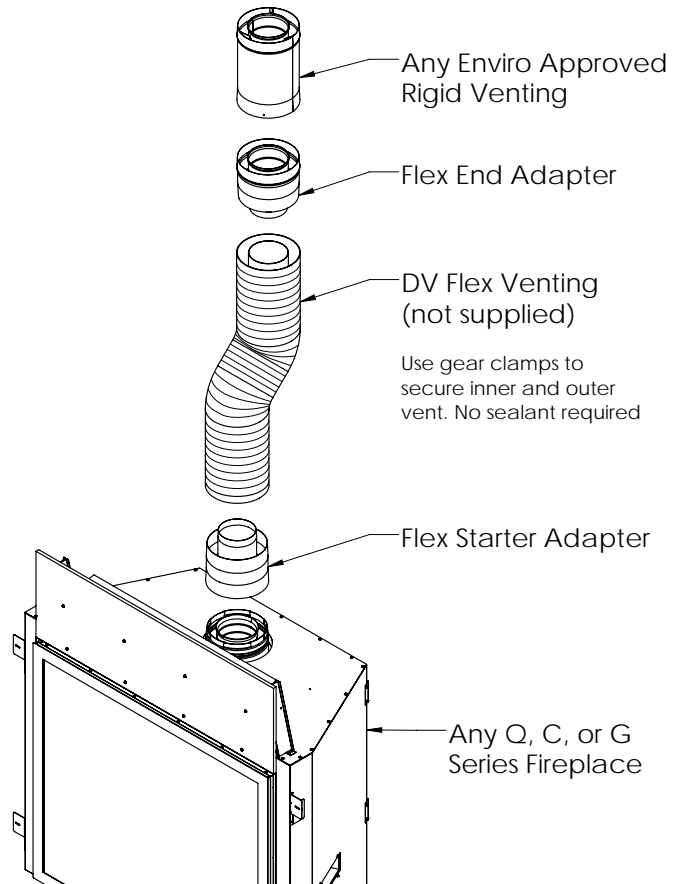


Figure 62. Flex Adapter Kit Install

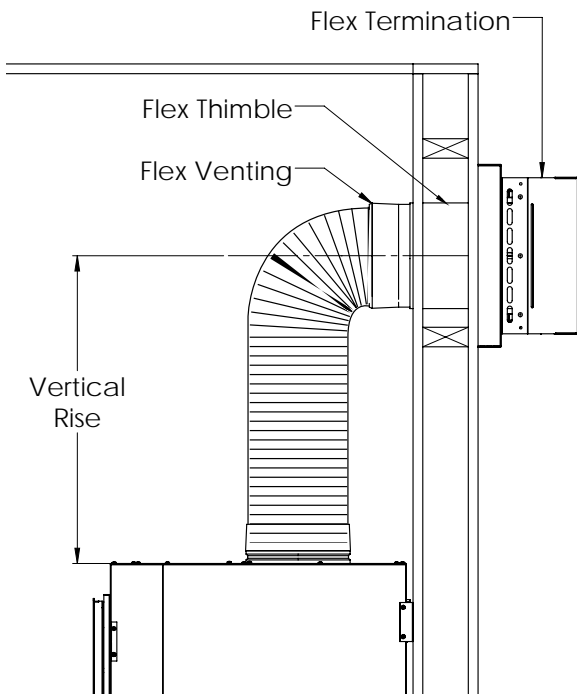


Figure 62A. "Up & Out" Flex Application

Important Information:

- Do not bend horizontal vent over 90 degrees.
- All horizontal runs should have a minimum 1/4" (6mm) rise per foot for optimal performance.
- Do not allow the inner flex pipe to contact the outer pipe, keep it pulled tight and use spacer springs.
- Spacers are required at the start, middle, and end of each elbow to ensure the gap is maintained.
- Do not add any extensions to the preset kits, if more length is required, use rigid pipe.
- No need for liquid sealant; secure flex venting with aluminum vent tape and apply sufficient self-tapping screws.
- Up & out kits have flex already secured to termination cap, do not detach.

INITIAL INSTALLATION

QUALIFIED INSTALLERS ONLY

CLEARANCES & NON-COMBUSTIBLE :

When installing the fireplace as a zero clearance fireplace the correct clearances and materials must be used.

ABOVE UNIT: The supplied noncombustible board is required above the unit up to 11 3/4" MIN.

However this not required if the Cool Surface System has been properly installed.

HEADER: The header can be made up of wood 2x4 construction at or above the top standoffs.

BELOW UNIT: Is is recommended the fireplace sit a solid and level piece of 3/4" plywood.

ADJACENT/SIDEWALL: There must be a minimum distance of **7" (178mm)** from the finishing edge of the fireplace to an adjacent wall composed of combustible material.

MANTEL: It is not necessary to install a mantel, but if one is desired the guidelines as shown in "INITIAL INSTALLATION - MANTEL REQUIREMENTS".

FLOOR: The unit must be raised to accommodate flooring thickness. Always ensure convective air gaps around the unit remain unobstructed. Combustible flooring can be used but make sure to review the maximum allowable temperature for your specific flooring material. Since every home and installation is unique, temperatures should be verified at the time of install. A hearth should be installed if temperatures exceed the manufacturers maximum allowable temperature.

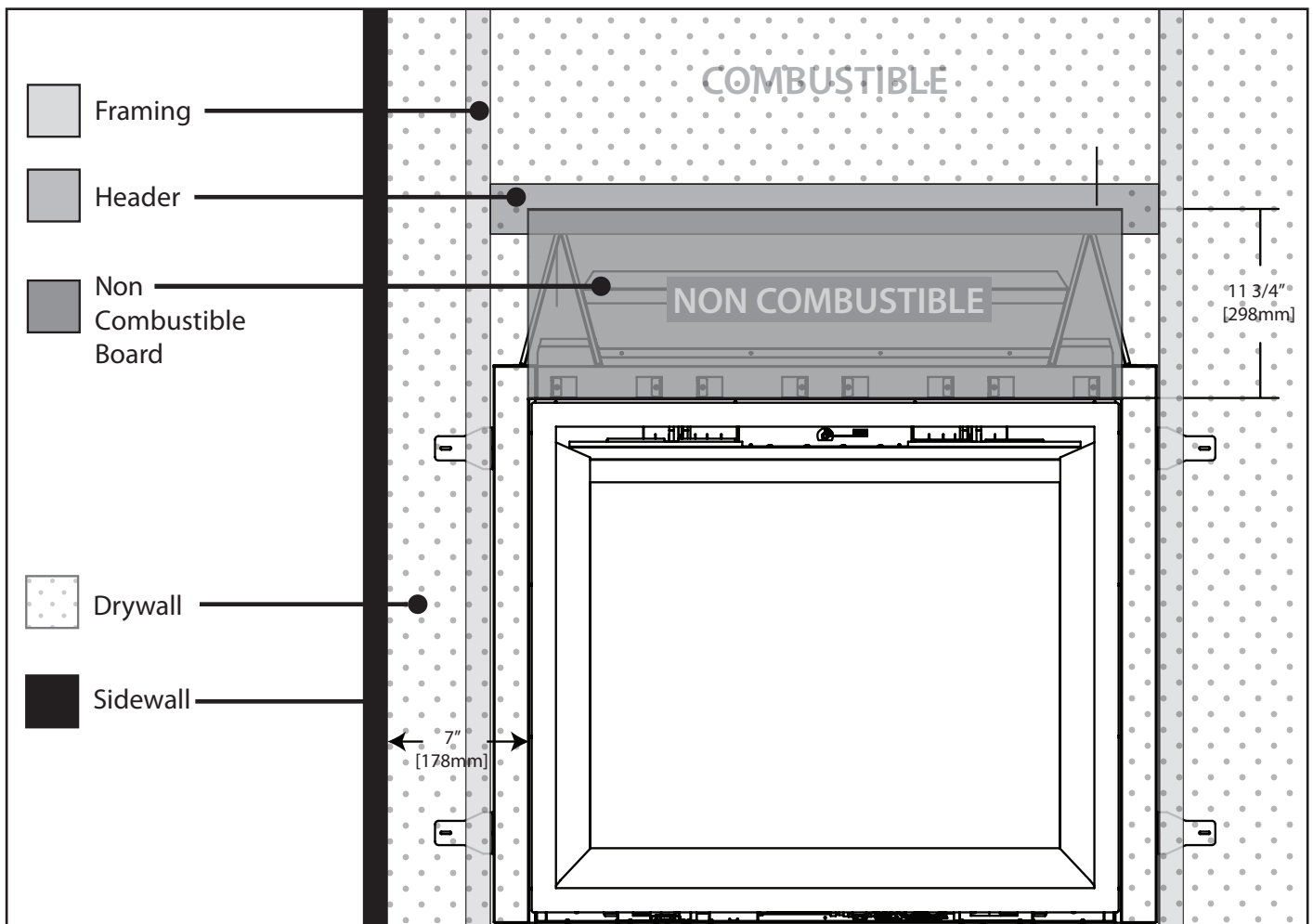


Figure 63. Typical Facing Layout

INITIAL INSTALLATION

QUALIFIED INSTALLERS ONLY

TV INSTALLATION CONSIDERATIONS:

Use of the Cool Surface System is highly recommended when mounting a TV or delicate artwork above the fireplace. If the system is not desired, some considerations must be made to ensure above objects are protected from the heat. A recess, mantel, or a combination of both will be needed for heat protection.

During testing temperatures did not exceed 120F over ambient in a 3 1/2" deep recess. There is no guarantee that these temperatures will not harm the longevity of your TV. Make sure to consult your TV manufacturer's specifications to find the maximum allowable operating temperature. Since every home and installation is unique, temperatures should be verified at the time of install. A TV should not be installed if temperatures exceed the manufacturer's maximum allowable temperature.

Mantel Only Installation: Always maintain minimum clearances (see Figure 64). The total depth of the TV including the wall mount will determine the minimum allowable mantel depth.

Recess/Mantel Installation: Always maintain minimum clearances (see Figure 65). The total depth of the TV and wall mount as well as the recess depth will determine the minimum whether or not a mantel is recommended. A mantel may not be needed if the TV and Mount are low profile enough.

A mantle is not mandatory, but highly recommended for protection of a TV. If choosing to not use a mantle you should place the TV as high up the wall as possible. Please consult the TV manufacturer's specifications to find the maximum allowable operating temperature. Temperatures should be confirmed on site after an extended burn.

See "INITIAL INSTALLATION - MANTEL CLEARANCES" and "INITIAL INSTALLATION - RECESS INSTALLATION" for more information.

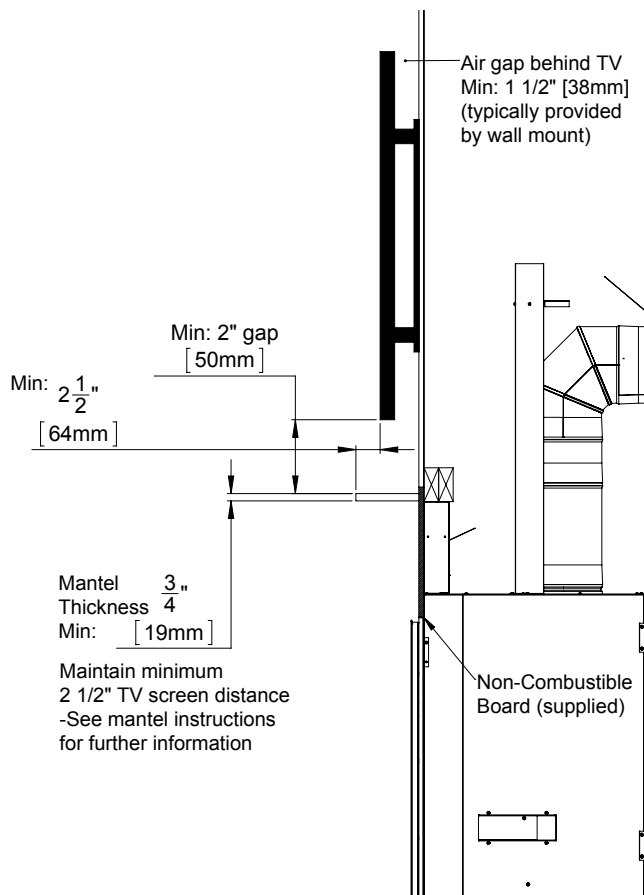


Figure 64. Minimum TV Install

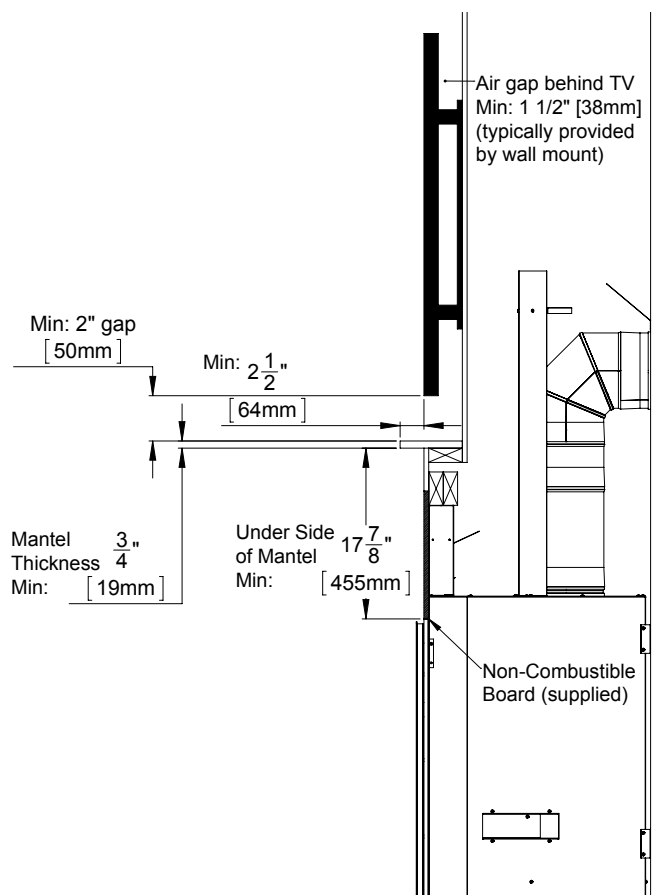


Figure 65. Recess Minimum TV Install

INITIAL INSTALLATION

QUALIFIED INSTALLERS ONLY

DIRECT VENT:

WARNING:

- Follow the venting instructions exactly for safe and proper appliance operation.
- Use Mill Pac or high temp RTV silicone for all venting aconnections.
- Risk of fire, explosion, or asphyxiation if improper venting setup.
- Risk of fire, do not allow loose materials or insulation to contact vent pipe. Remove insulation to allow installation of thimble and maintain clearances to combustible materials.

This appliance uses a 5" (127mm) exhaust / 8" (203mm) air intake vent pipe system. For safe and proper operation of the appliance follow the venting instructions exactly. Deviation from the minimum vertical length can create difficulty in burner start-up and sooting. Allow several minutes for the flame to stabilize after ignition under extreme vent configurations. It is recommended for vent lengths that pass through unheated spaces (garages, attics, crawl spaces) be insulated to minimize condensation. Use at least three (3) screws at each vent connection. Check periodically that the vents are unrestricted, especially the exterior vent cap.

VENT TERMINATION RESTRICTIONS:

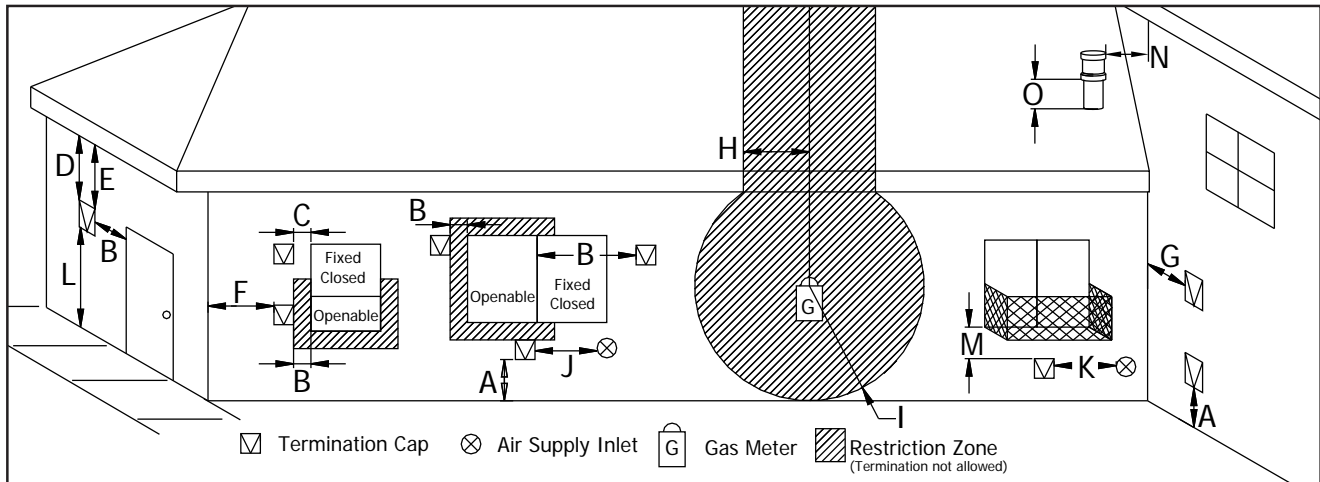


Figure 66. Vent Termination Restrictions, refer to Table 3

Table 4: Vent Termination Clearances

Letter	Canadian Installation ¹	US Installation ²	Description
A	12 in (30 cm)		Clearance above grade, verandah, porch, deck, or balcony.
B	12 in (30 cm)	9 in (23 cm)	Clearance from window or door that may be opened.
C	12 in (30 cm)*		Clearance from permanently closed window (to prevent condensation).
D	24 in (60 cm)*		Vertical clearance to ventilated soffit located above the terminal, within a horizontal distance of 2 ft (60 cm) from center line of terminal.
E	18 in (45 cm)*		Clearance to unventilated soffit.
F	12 in (30 cm)*		Clearance to outside corner.
G	12 in (30 cm)*		Clearance to inside corner.
H	3 ft (91 cm) within a height of 15 ft (4.5 m) above the meter/regulator assembly	3 ft (91 cm) within a height of 15 ft (4.5 m) above the meter/regulator assembly*	Clearance to each side of center line extended above meter/regulator assembly.
I	3 ft (91 cm)	3 ft (91 cm)*	Radial clearance around service regulator vent outlet.

INITIAL INSTALLATION

QUALIFIED INSTALLERS ONLY

J	12 in (30 cm)	9 in (23 cm)	Clearance to non-mechanical air supply inlet to building, or the combustion air inlet to any other appliance.
K	6 ft (1.83 m)	3 ft (91 cm) above if within 10 ft (3 m) horizontally	Clearance to mechanical air supply inlet.
L	7 ft (2.13 m) [†]	7 ft (2.13 m) ^{*†}	Clearance above paved sidewalk or paved driveway located on public property.
M	12 in / 30 cm ⁺	12 in / 30 cm ^{*+}	Clearance under verandah, porch, deck, or balcony.
N	12 in (30 cm) [*]		Clearance horizontally to any surface (such as an exterior wall) for vertical terminations.
O	12 in (30 cm)		Clearance above roof line for vertical terminations.

¹ In accordance with the current CSA B149.1, Natural Gas and Propane Installation Code.

² In accordance with the current ANSI Z223.1 NFPA 54, National Fuel Gas Code.

* These numbers are only estimates.

[†] A vent shall not terminate directly above a side walk or paved driveway that is located between two single family dwellings and it serves both dwellings.

⁺ Permitted only if verandah, porch, deck, or balcony is fully open on a minimum of two sides beneath the floor.

Clearances must be in accordance with local installation codes and requirements of the gas supplier.

NOTE: Venting terminals shall not be recessed into walls or siding.

VENTING CLEARANCES:

A **1" (25 mm)** clearance to combustibles must be maintained around any vertical vent pipe. Around a horizontal vent pipe, the clearance to combustibles should be **3" (76 mm)** above and **1" (25 mm)** on the sides and bottom. When combustible materials are directly above a 90° elbow, **3" (76 mm)** of clearance is necessary.

Table 5. Vent Pipe Minimum Clearances

	Vertical Pipe to the Side Walls	Horizontal Pipe to the Sides & Bottom	Above an Elbow Not Above the Unit	Above Horizontal Vent Pipe	Wall Frame 8" (203mm) or less
Hard Pipe	1" (25mm)	1" (25 mm)	3" (76 mm)	3" (76 mm)	3" top (76mm)

See certified thimbles in venting section and frame accordingly (see Figure 67). A thimble will assure the proper support and spacing requirements for the vent pipe as it passes through the exterior wall. Installations in Canada require that a wall thimble be used for passing through walls and ceilings. All sealing and vapour barriers must comply with local building codes. **Not all standard 8" thimbles can be used; you MUST maintain 3" (76mm) clearance above a vent pipe running through a wall.**

The venting configuration depends on the locations of walls, ceilings, and studs. However, the pipes cannot be of arbitrary length and arrangement. Certain guidelines have been set in "INITIAL INSTALLATION - ALLOWABLE CO-AXIAL VENT CONFIGURATIONS" because the length of the vertical and horizontal sections dramatically affects the burning efficiency of the fireplace.

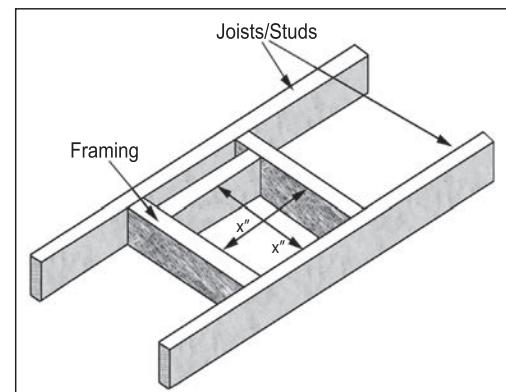


Figure 67. Thimble Framing

WARNING:

-This gas appliance must be direct vented and can't be connected to a chimney flue serving a separate solid-burning appliances.

-Venting terminals cannot be recessed into a wall or siding.

INITIAL INSTALLATION

QUALIFIED INSTALLERS ONLY

APPROVED VENTING PARTS:

Table 6: Approved Vent Manufacturers

Manufacturer	Trade Name	Nominal Sizes
ICC	EXCELDirect	5" - 8"
M&G Dura-Vent	Direct Vent Pro	5" - 8"
Selkirk	DIRECT-TEMP	5" - 8"
Amerivent	DIRECT-VENT	5" - 8"

This fireplace has been tested and certified for use with M&G DuraVent DirectVent Pro, ICC EXCEL Direct, Selkirk DIRECT-TEMP, and Amerivent DIRECT-VENT venting systems. Refer to the table below for part numbers of commonly used parts for both venting systems. For more venting parts please visit the respective manufacturers' website.

WARNING: Do not mix parts from different vent manufacturers' systems.

EXCEPTION TO WARNING: This product has been evaluated by Intertek for using a DirectVent Pro starting collar in conjunction with other approved venting systems. Use of this system with the DirectVent Pro starting collar is deemed acceptable and does not affect the Intertek listing of the appliance.

Table 6: Vent Part Numbers (must state if galvanized or black wanted)

Direct Vent Pro	EXCELDirect	DIRECT-TEMP	AMV DV	Description
58DVA-06	5DL6	5DT-06		6" pipe length
			5D7	7" pipe length
58DVA-09	5DL9	5DT-09		9" pipe length
58DVA-12	5DL1	5DT-12	5D12	12" pipe length
58DVA-18		5DT-18		18" pipe length
58DVA-24	5DL2	5DT-24	5D2	24" pipe length
58DVA-36	5DL3	5DT-36	5D3	36" pipe length
58DVA-48	5DL4	5DT-48	5D4	48" pipe length
58DVA-60				60" pipe length
58DVA-E30				30° elbow, black
58DVA-E45	5DE45	5DT-EL45	5D45L	45° elbow, black
58DVA-E90	5DE90	5DT-EL90	5D90L	90° elbow, black
58DVA-VSS, DVA-BVS	VSS	5DT-VS/VSK	5DHVS, DVSK	Vinyl siding standoff/shield
58DVA-WT3, 58DVA-WTU3	5WT	5DT-WT	5DWT	Wall thimble
58DVA-SC	SQSC, SC	5DT-SC	5DSC	Storm collar
58DVA-WFS		5DT-FS		Wall Fire stop
58DVA-FS	5CS	5DT-FS	5DFSP	Ceiling Fire stop
58DVA-IS	5AS	5DT-AIS	5DAIS12, AIS36	Attic Insulation Shield
58DVA-WS	5WS	5DT-WS/B	5DWS	Wall strap/support/band
58DVA-VCH	5SVT	5DT-VT	5DVC	High wind vertical termination
58DVA-HSCH, 58DVA-HC	5HT	5DT-HC	5DHCS	High wind horizontal termination
58DVA-17TA				11" to 17" pipe, adjustable
58DVA-24TA				17" to 24" pipe, adjustable
	5DLA30			16.5" to 29" pipe, adjustable
	5DLS1			1 7/8" to 9" slip length pipe
	5DLS2			1 7/8" to 21" slip length pipe
58DVA-F6	6EFA	5DT-AF6	5DF	Flashing, 0/12 to 6/12 roof pitch
58DVA-F12	6EFB	5DT-AF12	5DF12	Flashing, 7/12 to 12/12 roof pitch
58DVA-FF	6EF			Flat Roof Flashings
58DVA-CFK	4MF			Masonry Flashing

INITIAL INSTALLATION

QUALIFIED INSTALLERS ONLY

ALLOWABLE CO-AXIAL VENT CONFIGURATIONS:

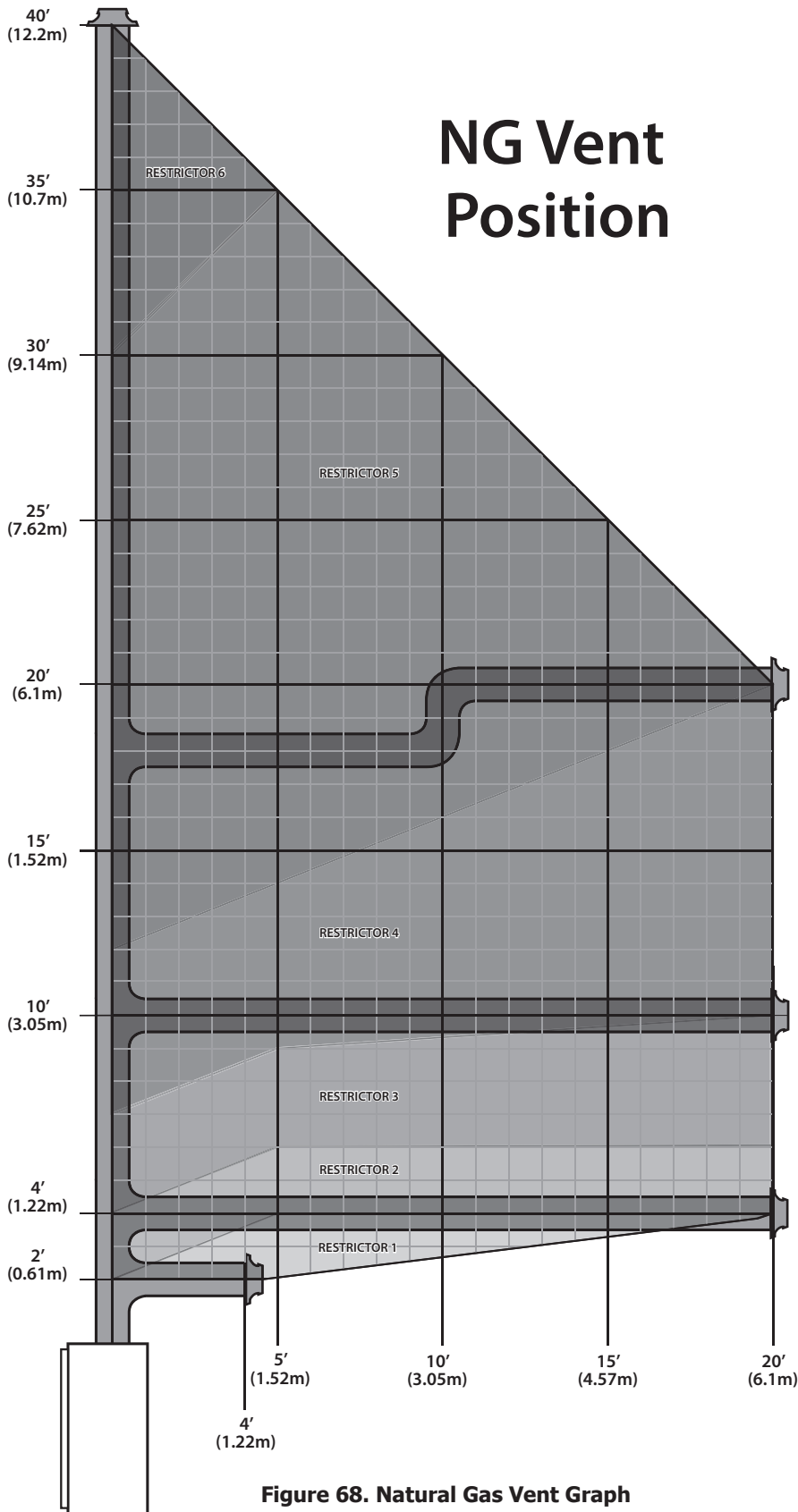


Figure 68. Natural Gas Vent Graph

This shows the range of venting options using either vertical or horizontal terminations; any layout that remains within the shaded area is acceptable. Having the fewest number of elbows is ideal as they restrict air movement. The total length of horizontal vent pipe can not exceed 20 feet (6.1m) and the total vertical vent length can not exceed 40ft (12.2m). Any combination of rise and run can be used as long as it lays within the shaded area (a total of three (3) 90° elbows or six (6) 45° elbows can be used. In addition to what is shown, if a 90° elbow is used in the horizontal plane, 3 feet (91.4cm) must be subtracted from the allowable horizontal run (for each 45° elbow, 1½ feet (45.7cm) must be subtracted).

Restrictor Setting: Find the point on the graph where your vent configuration will terminate. Remember to consider elbows in the HORIZONTAL plane account for horizontal distance as stated above. Use the corresponding exhaust restrictor setting indicated on the graph. See the following section in this manual for restrictor details. Your climate and altitude may alter what restrictor is required for your particular application.

INITIAL INSTALLATION

QUALIFIED INSTALLERS ONLY

ONLY use this venting diagram if your fireplace has been converted to LP.

Restrictor Setting: Find the point on the graph where your vent configuration will terminate. Remember to consider elbows in the HORIZONTAL plane account for horizontal distance as stated above. Use the corresponding exhaust restrictor setting indicated on the graph. See the following section in this manual for restrictor details. Your climate and altitude may alter what restrictor is required for your particular application.

LP Vent Position

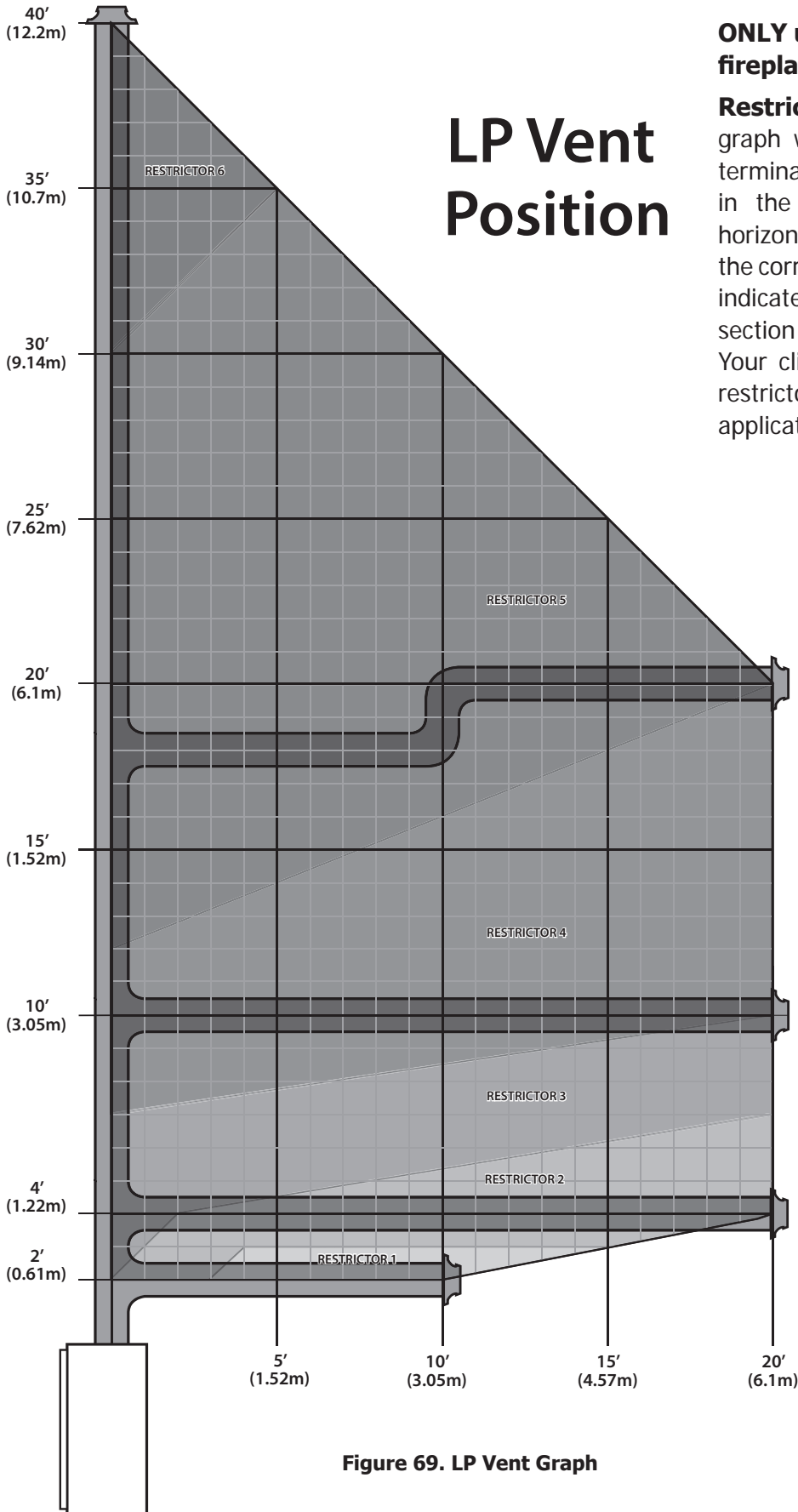


Figure 69. LP Vent Graph

INITIAL INSTALLATION

QUALIFIED INSTALLERS ONLY

EXHAUST RESTRICTOR SETTING:

WARNING: Improperly set restrictor setting can cause overheating issues which can lead to building fire.

It may be necessary to adjust the exhaust restrictor in order to control combustion quality and flame appearance. There are six different restrictor settings.

Determine what restrictor setting you require using the vent graphs in "INITIAL INSTALLATION - ALLOWABLE CO-AXIAL VENT CONFIGURATIONS. The restrictor is set to 1 when the flat edge of the dial is vertical (see Figure 71). Rotate the dial counter-clockwise to increase the restriction level successively until the appropriate setting is achieved. When the flat edge is horizontal the restrictor level is at its maximum (see Figure 70). The proper setting is crucial for an efficient burn and best possible flame appearance.

It may be necessary to deviate from the recommended setting as different altitudes and climates can vary the operation of the fireplace. With LP fueled fireplaces, it is always a good idea to offer slightly less restriction for higher altitudes to reduce the risk of sooting over an extended period.

Step 1. Remove surround panel to gain access to restrictor control.

Step 2. Use a 7/16 socket with long extension to adjust the restrictor dial to desired setting.

Step 3. Allow unit to warm up sufficiently and make adjustment as needed.

Step 4. Allow unit to cool down and reinstall surround panel.

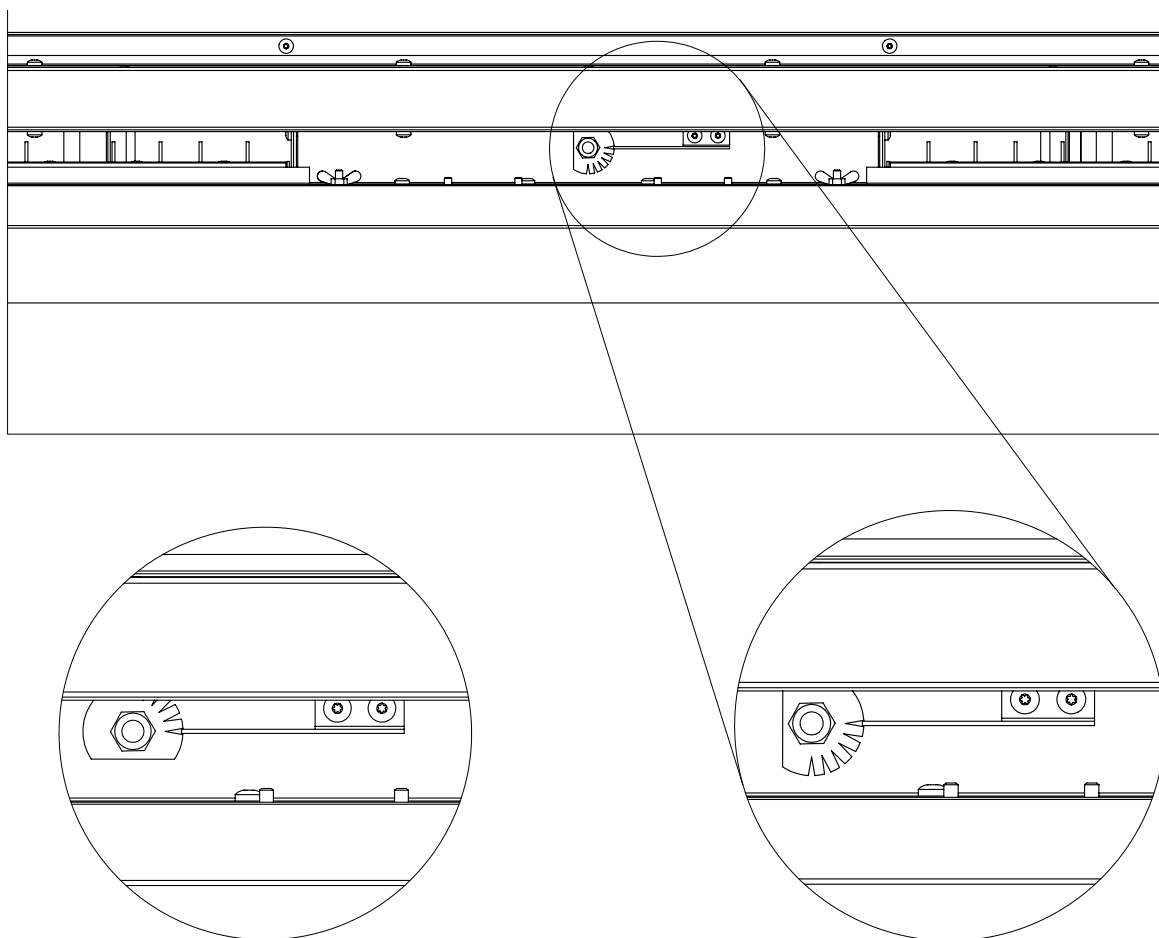


Figure 70. Restrictor Setting 5

Figure 71. Restrictor Setting 0

INITIAL INSTALLATION

QUALIFIED INSTALLERS ONLY

HORIZONTAL TERMINATION:

1. A minimum of 18" vertical rise before an elbow is required when horizontally terminating with an approved venting cap.
2. Horizontal pipes must not be level. For every 12" (305 mm) of horizontal travel there should be at least ¼" (6.4 mm) of vertical rise. Never allow the vent to run downward, as this could cause high temperatures or even present the possibility of a fire.

3. The exterior of the horizontal vent termination must not be blocked or obstructed.
4. If the vent termination is not being attached to wood, the four wood screws provided should be replaced with material appropriate fasteners.
5. For buildings with vinyl siding, a vinyl standoff should be installed between the vent cap and the exterior wall. Attach the vinyl siding standoff to the horizontal termination. Note that the termination screws onto the flat portion of the standoff which provides an air space between the wall and the vent termination. The air gap prevents excessive heat from possibly melting the vinyl siding.
6. Horizontal pipes must be supported every 3' (914 mm). Plumber's "all round" strap will suffice.

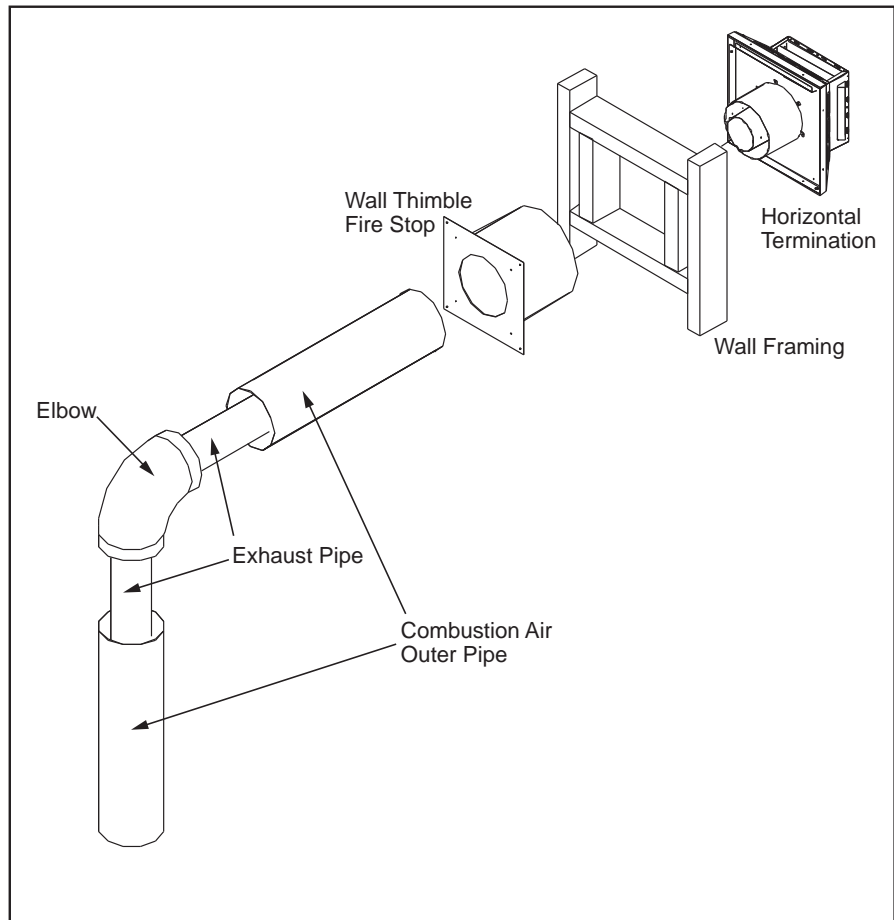


Figure 72. Horizontal Vent Termination

7. When running horizontal pipe, clearances to combustibles must be maintained 1" (25 mm) sides, 1" (25 mm) bottom, 3" (76 mm) top, and 3" (76 mm) above elbow.

- Step 1.** Set the fireplace in the desired location. Check to determine if wall studs will be in the way when the venting system is attached. If this is the case, the location of the fireplace may have to be adjusted or the venting may have to be offset.
- Step 2.** Many direct vent pipe sections are designed with special twist-lock connections. Dry fit the desired combination of pipe and elbows to the appliance adaptor.
- Step 3.** With the pipe in the correct position and attached to the fireplace, mark the wall for a hole as directed by specified wall thimble dimensions. Cut and frame the hole in the exterior wall where the vent will be terminated. If the wall being penetrated is made of a non-combustible material (i.e. masonry or concrete) a minimum 8 1/2" (21.6 cm) hole is acceptable.

INITIAL INSTALLATION

QUALIFIED INSTALLERS ONLY

- Step 4.** The vent pipe must extend into the vent cap at least **1¼" (320 mm)**. Secure the connection between the vent cap and the pipe by attaching the two (2) sheet metal straps, which extend from the vent cap assembly to the outer wall of the vent pipe. Bend any remaining portion of the strap back towards the vent cap.
- Step 5.** Position the horizontal vent termination in the center of the thimble and attach to the exterior wall with the four screws provided. The arrow on the vent termination must be pointing up. Run a bead of high-temp silicone around the edges of the vent cap to make a seal with the wall. Ensure the proper clearances to combustibles have been maintained.

VERTICAL TERMINATION:

- Step 1.** Check "INITIAL INSTALLATION - VENTING CLEARANCES" for required clearances to combustibles when passing through ceilings, walls, roofs, enclosures, attic rafters, or other nearby combustible surfaces. Do not pack air spaces with insulation.
- Step 2.** Set the fireplace in the desired location. Drop a plumb bob down from the ceiling to the fireplace flue exit and mark the location where the vent will penetrate the ceiling. Drill a small hole at this point. Next, drop a plumb bob from the roof to the hole and mark the spot where the vent will penetrate the roof. Determine if ceiling joists, roof rafters, or other framing will obstruct the venting system. Relocate the fireplace or offset the venting to avoid cutting load bearing members.

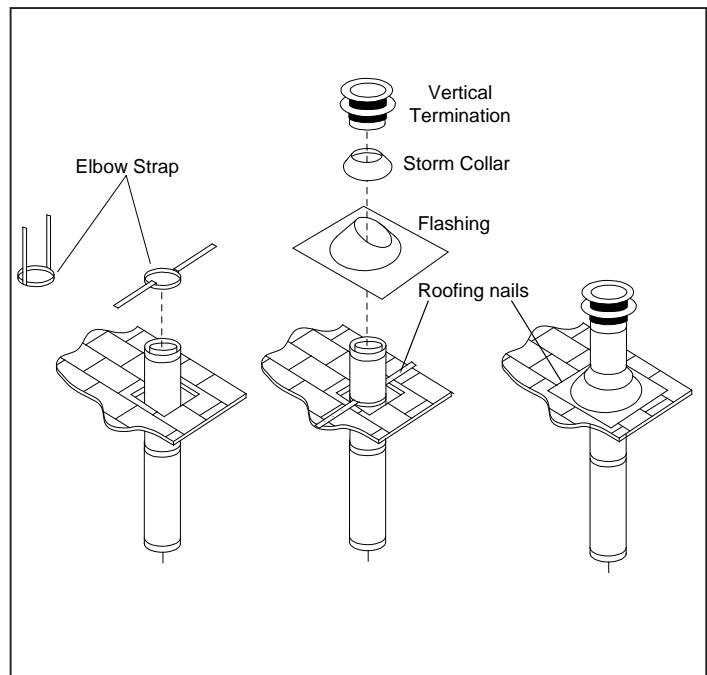


Figure 73. Vertical Vent Termination

- Step 3.** To determine the length of pipe required, measure room height, ceiling thickness, and vertical rise in an attic or second story. Firestops are required at each floor level beyond the first floor ceiling support/wall thimble cover or cathedral ceiling support box. If an offset is required to avoid obstructions, use a pair of 45 degree elbows. For proper support, use elbow straps with offsets. Use wall straps for long vertical runs. Attic insulation shield is required in attic.
- Step 4.** Measure roof pitch. Select the proper flashing and storm collar and determine the height above the roof (see Figure 74). A non-corrosive pipe material must be used for all exterior pipe lengths. Seal nail heads with silicone.

INITIAL INSTALLATION

QUALIFIED INSTALLERS ONLY

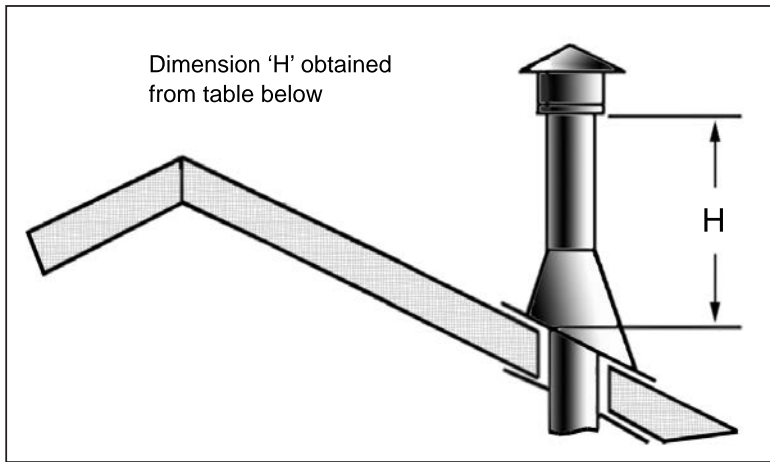


Figure 74: Height of Vertical Termination;
Reference Table 7

Table 7: Minimum 'H' for Figure 69.

Roof Pitch	Minimum Height (H)	
	Feet	Meters
Flat to 7/12	1	0.3
Over 7/12 to 8/12	1.5	0.46
Over 8/12 to 9/12	2	0.61
Over 9/12 to 10/12	2.5	0.76
Over 10/12 to 11/12	3.25	0.99
Over 11/12 to 12/12	4	1.22
Over 12/12 to 14/12	5	1.52
Over 14/12 to 16/12	6	1.83
Over 16/12 to 18/12	7	2.13
Over 18/12 to 20/12	7.5	2.29
Over 20/12 to 21/12	8	2.44

NOTES:

1. If an offset is necessary in the attic to avoid obstructions, it is important to support the vent pipe every **3' (914 mm)** using wall straps to avoid excessive stress on the elbows.
2. Use 45° degree elbows instead of 90° degree elbows when ever possible. The 45° degree elbow offers less restriction to the flow of flue gases and intake air.

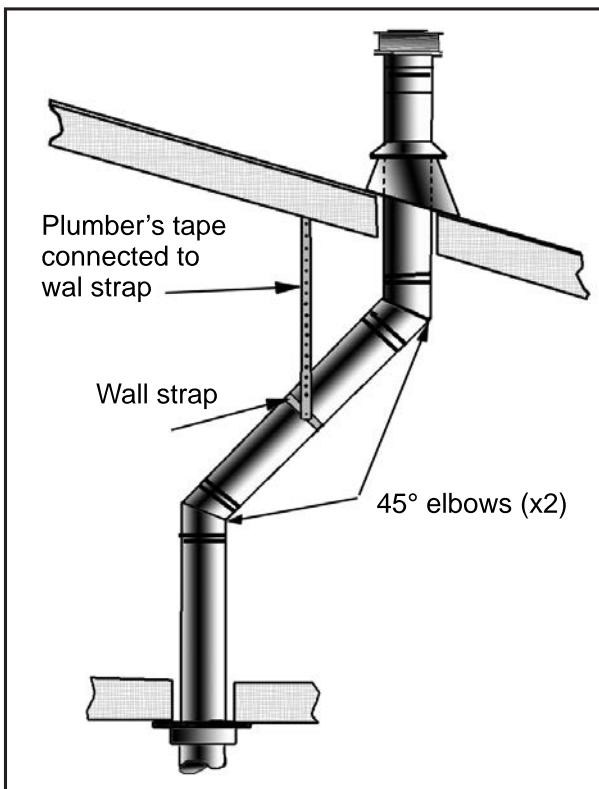


Figure 75: Multi-Story Vent Pipe Installation

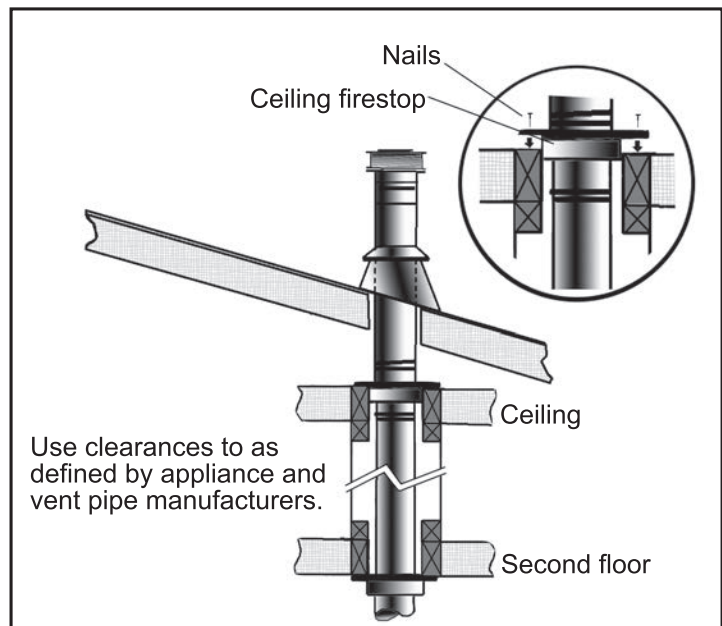


Figure 76: Use of Wall Straps.

INITIAL INSTALLATION

QUALIFIED INSTALLERS ONLY

GAS LINE CONNECTION AND TESTING:

WARNING: Only persons licensed to work with gas piping may make the necessary gas connections to this appliance.

GAS LINE CONNECTION

- This fireplace is equipped with a certified flexible pipe located on the right side of the unit terminating in a 3/8" Male NPT fitting. Consult your local authorities codes or the CAN/CGA B 149 (1 or 2) installation code in Canada, or in the USA gas installations follow either local codes or the current edition of the National Fuel Gas Code ANSI Z223.1.
- The efficiency rating of this appliance is a product thermal efficiency rating determined under continuous operating conditions and was determined independently of any installed system.

The appliance and its shutoff valves must be disconnected from the gas supply piping system during any pressure testing where the pressure exceeds 1/2 PSIG (3.45 KPa) or damage will occur to the valve.

The appliance must be isolated from the gas supply piping system by closing its individual manual shutoff valve during any pressure testing of the gas supply piping system at test pressures equal to or less than 1/2 psig (3.45 KPa).

Always check for gas leaks with a soap and water solution after completing the required pressure test.

TO TEST VALVE PRESSURES

The pressure taps are located on the top right of the valve shown in Figure 77.

- Turn set screw 1 turn counter clockwise to loose.
- Place 5/16" (8 mm) I.D. hose over pressure tap system.
- Check pressures using a manometer.
- When finished, release pressure, remove hose & tighten set screw.

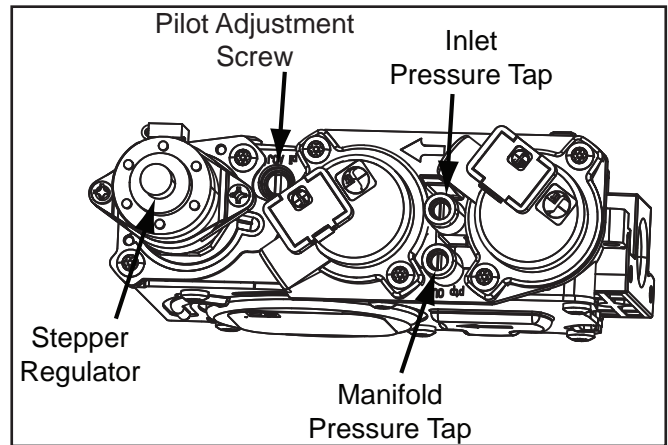


Figure 77: Fully Labeled Gas Valve.

Table 8: Pressure and BTU Information.

	Natural Gas	Propane
Main Orifice	Front: #38 Rear: #40	Front: #53 Rear: #52
Manifold Pressure	3.5" W.C. (0.89 KPa)	10.0" W.C. (2.49 KPa)
Min. Manifold Pressure	1.6" W.C. (0.39 KPa)	6.4" W.C. (1.59 KPa)
Max Supply Pressure	7.0" W.C. (1.74 KPa)	11.0" W.C. (2.74 KPa)
Min. Supply Pressure	4.5" W.C. (1.12 KPa)	10.4" W.C. (2.59 KPa)
Max BTU/hr Input	50,000 BTU/hr (14.7 kWh)	50,000 BTU/hr (14.7 KW)
Min. BTU/hr Input	18,000 BTU/hr (5.3 KW)	18,000 BTU/hr (5.3 KW)

NEVER USE AN OPEN FLAME FOR LEAK TESTING.

INITIAL INSTALLATION

QUALIFIED INSTALLERS ONLY

ELECTRICAL REQUIREMENTS:

WARNING: The fireplace must be electrically connected and grounded in accordance with local codes or, in the absence of local codes, with the current CSA C22.1 Canadian Electrical Code Part 1, Safety Standards For Electrical Installations, or The National Electrical Code ANSI / NFPA 70 in the US.

WARNING: Disconnect electrical power supply before working on receptacle wiring.

CAUTION: When servicing controls, label all wires prior to disconnection. Wiring errors can cause improper and dangerous operation. Verify proper operation after servicing. If any of the original wire supplied with the appliance must be replaced, it must be replaced with 18 AWG wire with a temperature rating of 105°C.

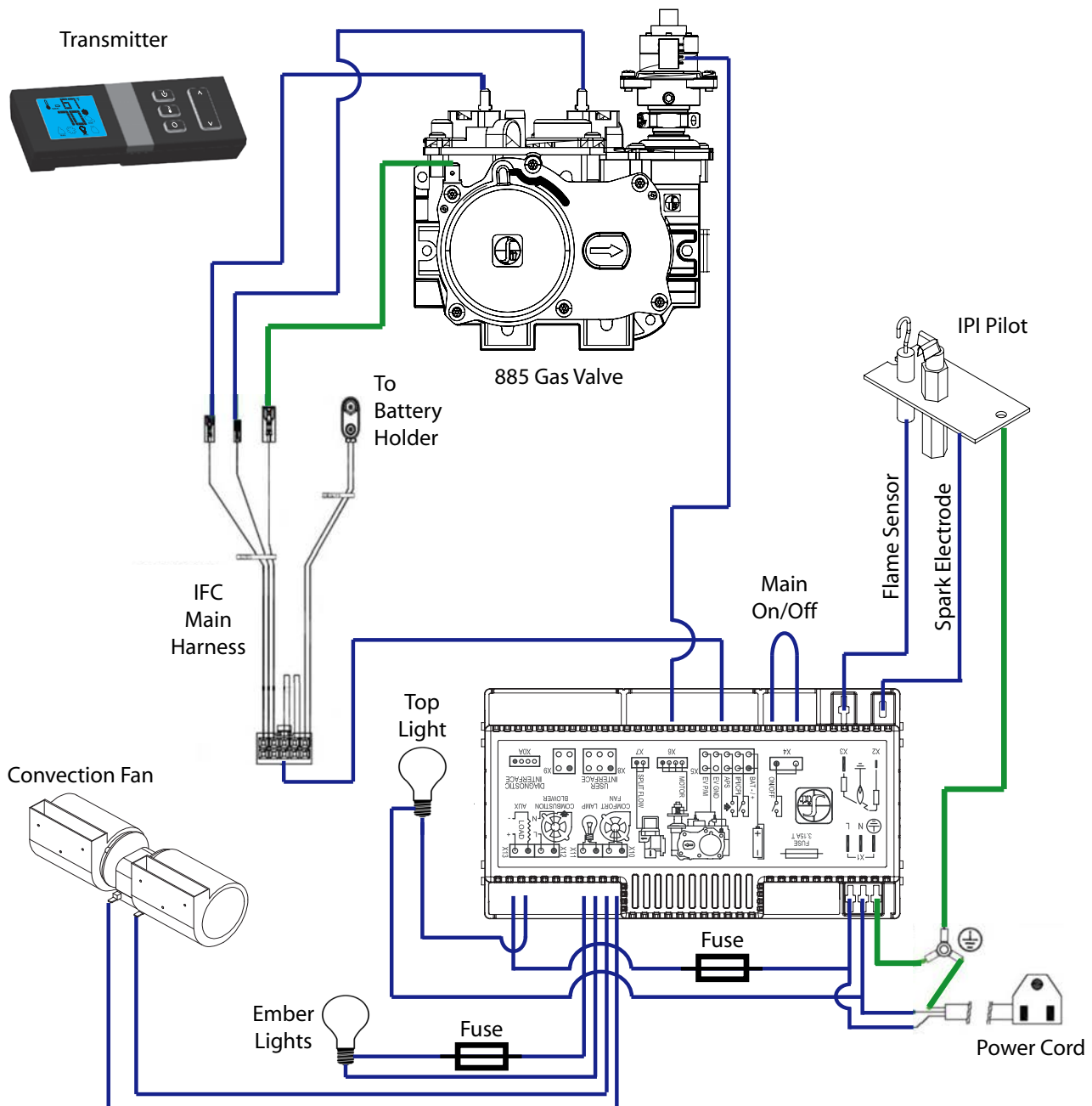


Figure 78: Proflame 2 Wiring Diagram

SECONDARY INSTALLATION

PANEL AND MEDIA INSTALLATION:

- Step 1.** Remove surround panel and glass door (see "MAINTENANCE AND SERVICE" section).
- Step 2.** Remove light deflector by removing two retaining T-20 screws (see Figure 79).

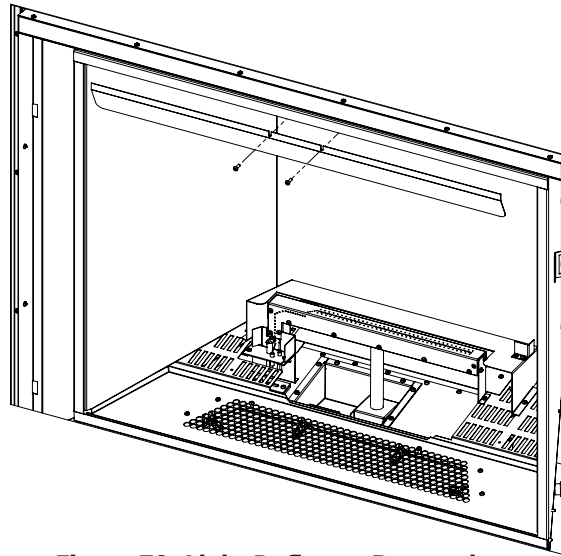


Figure 79: Light Deflector Removal

- Step 3.** Remove the liner retainers one at a time using a 5/16 socket. The screws only have to be loosened, not completely removed, as the retainers are slotted. Remove the side liners first, then the rear (see Figure 80).

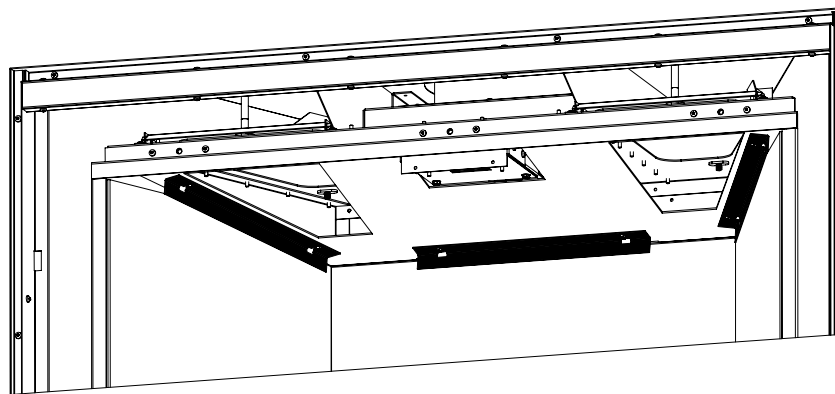


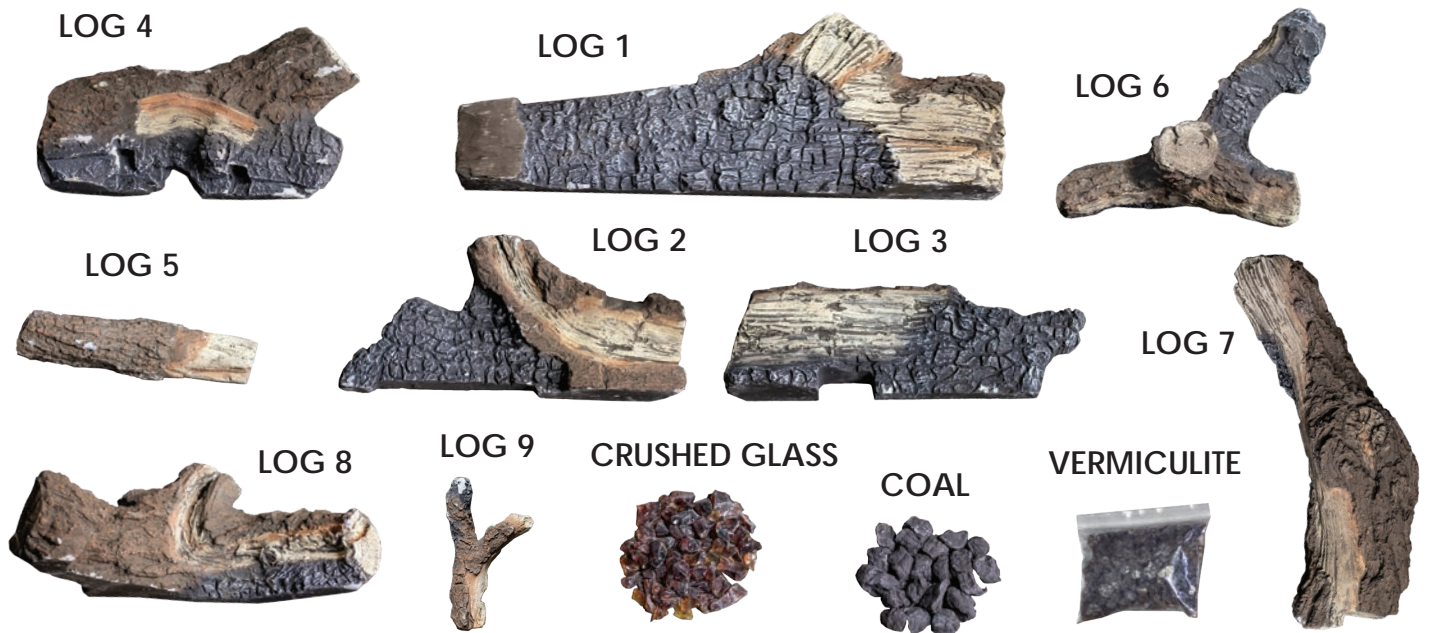
Figure 80: Liner Retainers

- Step 4.** Prepare new liners for installation. Wear clean vinyl gloves when handling the liners, the ceramic material can irritate your skin. Take care not to damage the liners as they are very fragile and can chip easily. If handling porcelain liners, it is still a good idea to wear gloves as the oils from your fingers can stain the enameled coating. If the liners arrive damaged, please contact your ENVIRO dealer for replacement.
- Step 5.** Replace liners back into position starting with the rear. Please note that any liner options containing brick will have to be aligned with each other. The rear liner will only line up with the side liners in one position. Line up the top corners ahead of time to determine the installation direction. Retighten retainers once liners are in position.
- Step 6.** Reinstall removed components.

SECONDARY INSTALLATION

LOG SET INSTALLATION:

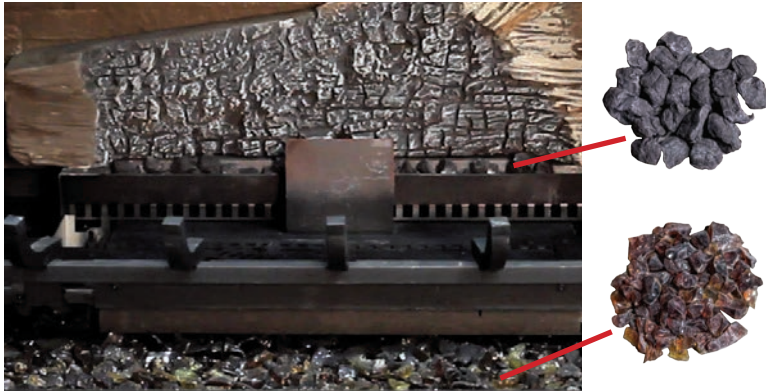
The placement of the logs is not arbitrary. If they are positioned incorrectly, the flames can be impinged and will not burn correctly creating a hazardous environment. Carefully set the logs in place using the figures provided. Wear vinyl gloves when handling the logs, the ceramic material can irritate your skin. Take care not to damage the logs as they are very fragile and can chip easily. If any logs arrive damaged, please contact your ENVIRO dealer for replacement.



SECONDARY INSTALLATION

Step 1

Fill the bottom of the ember bed with the crushed glass provided. Place the coals in the nugget tray as shown.



Step 2

Place Log #1 at the back of the unit, flush with the liner. Center the log cut-out with the nugget tray.



Step 3

Place Log #2 on the burner flush against the steel backing plate. Slide the log all the way to the right until it contacts the liner.



Step 4

Place Log #3 on the burner flush against the steel backing plate. Slide the log all the way to the right until it contacts Log #2; be sure to close the gap between the two logs.



Step 5

Lightly sprinkle vermiculite on the burner over the ports. Do NOT cover up the air grates.



Do NOT
cover

Step 6

Align the sockets on Log #4 with the grate arms.



SECONDARY INSTALLATION

Step 7

Align the sockets on Log #5 with the grate arm.



Step 8

Position Log #6 on the burner, prop the log on top on the stand near the air grate. Align the lower end on the grate arm.



Step 9

Place the end of Log #7 on the flat area of Log #1. Align the bottom of Log #7 on the grate arm. The log should naturally want to rotate clockwise. The log should NOT contact Log #2.



Step 10

Place Log #8 on top of Log #1 and Log #4. Keep the log flush with the rear and side liners. Align the log along the natural crease of Log #1.



Step 11

Place the arms of Log #9 on the alignment pads on Log #6. Ensure the lower log contacts the grate arm to the right. The log set is now complete.



TROUBLESHOOTING

Table 10: Troubleshooting

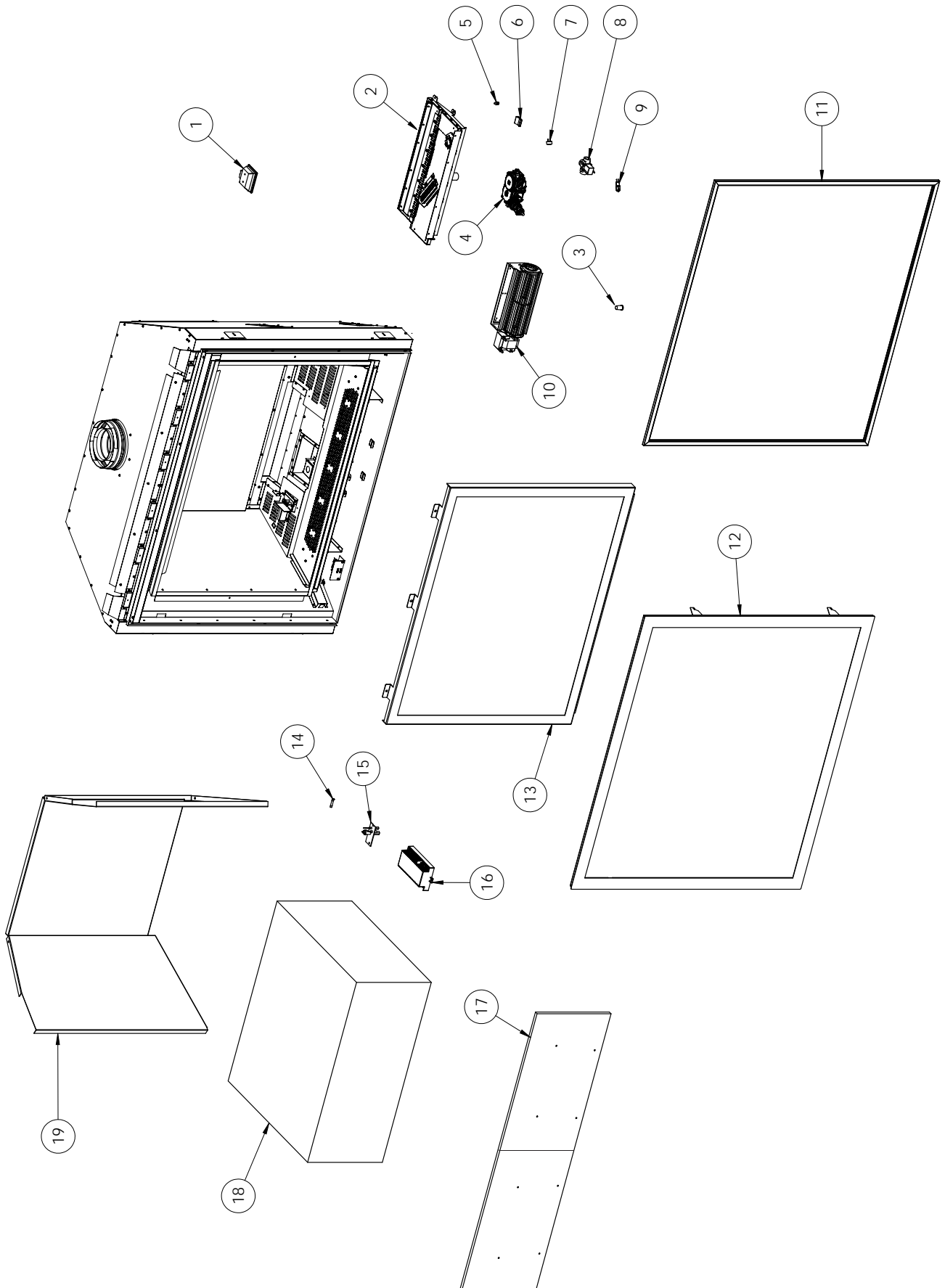
Problem	Possible Cause	Solution
Spark will not light the pilot	Air in gas line	• Purge gas line
	Orange sparker wire is shorting on pilot line	• Be sure sparker wire is not touching aluminum pilot tube.
	Unhappy IFC	• Check for flashing error code, contact your dealer
Pilot will not remain lit	Air in gas line	• Purge gas line
	Flame Sensor	• Ensure flame sensor wire is secure
	Faulty IFC	• Replace IFC
Flame lifting	Leak in vent pipe	• Check for leaks in vent connections.
	Improper vent configuration	• Check vent configuration with manual.
	Improper Restrictor Setting	• Decrease restriction level
Glass fogs up	Normal Condition: after the appliance warms up the glass will clear. **Due to additives in gas, glass may get hazy during operation** Clean as needed.	
Blue Flames	Normal during start up: flames will yellow as the fireplace heats up.	
Flames are burning "dirty" or sooting	Flame impingement	• Check log positioning. • Increase primary air by opening the venturi shutter and/ or by opening the vent restrictor. See also "Burners will not remain lit."
	Improper vent configuration	• Check vent configuration with manual.
	Improper Restrictor Setting	• Decrease restriction level.
	Improper Venturi Setting	• Increase primary air setting with venturi lever.
Remote control doesn't work	Problem with the remote	• One or more of the batteries are dead. See remote control instructions.
	Problem with IFC	• The on/off switch is turned to OFF. • The gas control wiring came loose or damaged. • The pilot has gone out. • IFC is in lockout mode - wait 5 minutes • Resync the remote

PARTS LIST

Table 11: G50 Parts List

Reference #	Part Description	Part #
1	Top Light Assembly	50-3516
2	G50 Burner Assembly	50-3782
3	Large Ceramic Marrette (set of 2)	50-3595
4	S.I.T IPI Valve	50-2682
5	NG Rear Orifice [#40]	N/A
5	NG Front Orifice [#38]	N/A
6	PVC Wire Clip	50-3614
7	Halogen Socket W/ Wires	50-2028
8	Split Flow Valve	50-3615
9	Lower 35W Halogen Bulb	50-3291
10	Convection Fan Only	50-3577
11	G50 Safety Screen	50-3612
12	G50 Non-Combustible Boards (set of 2)	50-3780
13	Door Complete	50-3781
14	2A Barrell Light Fuse	50-2075
15	PSE IPI Pilot Assembly	50-3026
16	Integrated Fireplace Controller (IFC)	50-3312
-	Proflame 2 Remote Transmitter	50-3028
17	G50 Slim Face - Black Painted	50-3449
-	G50 Slim Face - Grey Powdercoat	50-3450
-	G50 Slim Face - Bronze Powdercoat	50-3545
-	G50 Slim Face - Silver Powdercoat	50-3451
-	G50 Slim Face - Nickel Plated	50-3574
-	G50 Slim Face - Copper Plated	50-3573
-	G50 Forgeworks Face - Midnite Bronze	50-3452
18	Traditional Log Set	50-3543
-	Birch Log Set	50-3542
19	Painted Black Liners	50-3544
-	Porcelain Liners	50-3448
-	Brown Brick Liners	50-3412
-	Herringbone Liners	50-3447
-	Ledgestone Liners	50-3446
-	12 oz. Can of Metallic Black Touch Up Paint	PAINT-12-MB

PARTS DIAGRAM



INSTALLATION DATA SHEET

The following information must be recorded by the installer for warranty purposes and future reference.

NAME OF OWNER:

ADDRESS:

PHONE: _____

NAME OF DEALER:

ADDRESS:

PHONE: _____

MODEL: _____
SERIAL NUMBER: _____
DATE OF PURCHASE: _____ (dd/mm/yyyy)
DATE OF INSTALLATION: _____ (dd/mm/yyyy)

 NATURAL GAS (NAT) PROPANE (LPG)

INLET GAS PRESSURE: _____ in wc
MAIN BURNER ORIFICE: _____ # DMS
PILOT ORIFICE # _____ OR _____ in diam.
INSTALLER'S SIGNATURE:

NAME OF INSTALLER:

ADDRESS:

PHONE: _____

MANUFACTURED BY:
SHERWOOD INDUSTRIES LTD.
6782 OLDFIELD RD. SAANICHTON, BC, CANADA V8M 2A3
www.enviro.com
January, 2020
C-15631