

# INSTALLATION & USER MANUAL

APPLICABLE FOR THE **UE35 & UE42 LCD**



# UPTOWN

LUXURY FIREPLACES



INSTALLER: Leave this manual with the appliance. CONSUMER: Retain this manual for future reference.

**C-17106**

# SAFETY PRECAUTIONS

**Read these instructions completely before beginning installation. Failure to follow them could cause a heater malfunction resulting in serious injury and/or property damage.**

**WARNING: All electric heaters have hot and arcing or sparking parts inside. Do not use it in areas where gasoline, paint or flammable liquids are or are stored.**

**This fireplace meets the construction and safety standards of H.U.D. for application in manufactured homes when installed according to these instructions**

- When using electrical heaters, basic precautions should always be followed to reduce the risk of fire, electric shock and injury to persons, including the following:
- Failure to follow these instructions may also void your fire insurance and/or warranty.

- **WARNING: Improper installation, adjustment, alteration, service or maintenance can cause injury or property damage. Refer to this manual. For assistance or additional information, consult a qualified installer.**
- **CAUTION: Do not expose the heater to the elements (such as rain, etc).**
- **Do not place clothing or other flammable material on or near firebox. Never place any objects on the fireplace.**
- **Do not place clothing or other flammable material on or near firebox. Never place any objects on the fireplace.**
- **Fireplace becomes very hot when running. Keep children and adults away from hot surfaces to avoid burns or clothing ignition. Fireplace will remain hot for a time after shutdown. Allow surfaces to cool before touching.**



**CAUTION:** In order to avoid overheating, do not cover the heater.

## FOR YOUR SAFETY

1. Read all instructions before installing or using this heater.
2. This heater is hot when in use. To avoid burns, do not let bare skin touch hot surfaces. Keep combustible materials, such as furniture, pillows, bedding, papers, clothes, and curtains at least 3 feet (0.9m) from the front of the heater and keep them away from the sides and rear.
3. Extreme caution is necessary when any heater is used by or near children or disabled people and whenever the heater is left operating and unattended.
4. Do not operate any heater after it malfunctions, has been dropped, or damaged in any manner. Disconnect power at service panel and have heater inspected by an authorized technician or a reputable electrician before using.
5. Do not use outdoors.
6. To disconnect heater, turn controls to off and turn off power to heater circuit at main disconnect panel.
7. Do not insert or allow foreign objects to enter any ventilation or exhaust opening as this may cause an electric shock or fire, or damage the heater.
8. To prevent a possible fire, do not block air intakes or exhaust in any manner.
9. A heater has hot and arcing or sparking parts inside. Do not use it in areas where gasoline, paint or flammable vapours or liquids are used or stored.
10. Use this heater only as described in this manual. Any other use not recommended by the manufacturer may cause fire, electric shock or injury to persons.
11. SAVE THESE INSTRUCTIONS

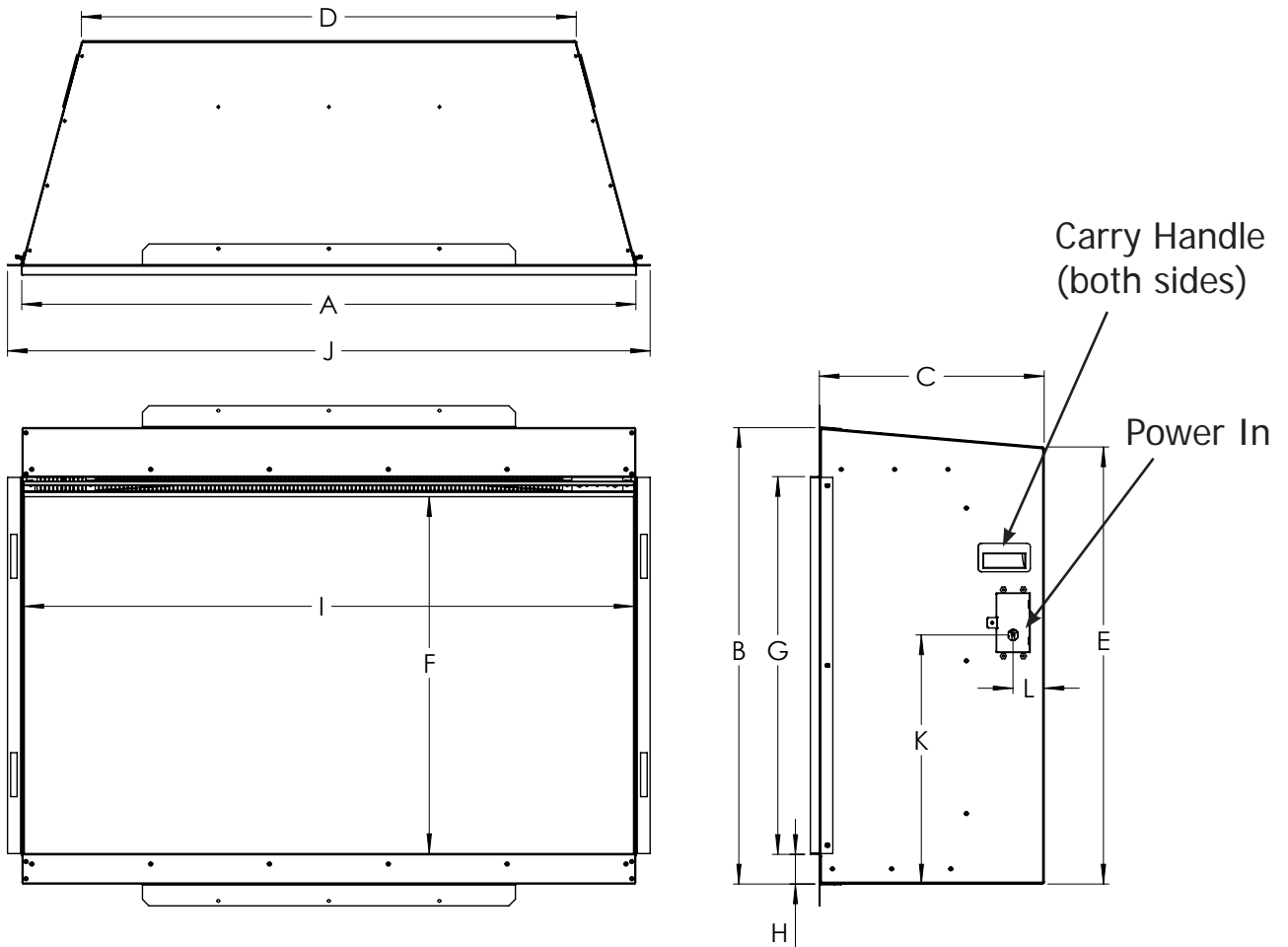
# TABLE OF CONTENTS

---

<b>Safety Precautions</b> .....	2
<b>Table of Contents</b> .....	3
<b>Specifications</b>	
Dimensions .....	4
<b>Manual Bag Contents</b> .....	5
<b>Initial Installation</b> .....	5
<b>Installation</b>	
Electrical Requirements.....	6
Wiring .....	6
Fireplace Insert .....	7
Built-In / Zero Clearance .....	8
Minimum Floor Height .....	9
Clearance to Combustibles.....	9
Front Glass .....	10
Surround Panel .....	11
<b>Operation</b>	
Manual Controls .....	12
Remote Controls .....	13
Wi-Fi Controls.....	14
Creating a Heat Program.....	16
<b>Remote Control Battery</b> .....	18
<b>Cleaning &amp; Maintenance</b> .....	18
<b>Wiring Diagram</b> .....	19
<b>Troubleshooting</b> .....	20
<b>Parts List</b> .....	21
<b>Warranty</b> .....	22
<b>Notes</b> .....	23
<b>Installation Data Sheet</b> .....	24

# SPECIFICATIONS

## DIMENSIONS:



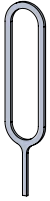
DIMENSION	UE35	UE42
<b>A</b>	35" (889mm)	42" (1067mm)
<b>B</b>	26" (660mm)	29" (737mm)
<b>C</b>	12 13/16" (325mm)	
<b>D</b>	28 1/4" (717mm)	35 3/16" (894mm)
<b>E</b>	24 7/8" (632mm)	28" (711mm)
<b>F</b>	20 3/8" (517mm)	22 7/8" (581mm)
<b>G</b>	21 1/2" (546mm)	24" (610mm)
<b>H</b>	1 11/16" (43mm)	
<b>I</b>	34 3/4" (883mm)	41 3/4" (1060mm)
<b>J</b>	36 5/8" (930mm)	43 5/8" (1108mm)
<b>K</b>	14 3/16" (360mm)	
<b>L</b>	1 3/4" (44mm)	

**Table 1: Fireplace Dimensions**

# MANUAL BAG CONTENTS

(Items shown not to scale)

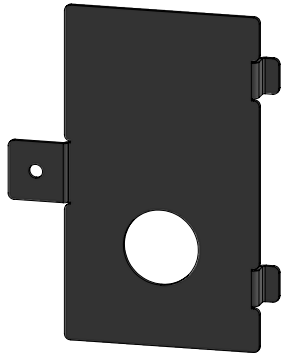
## RESET / REMOTE KEY



## CR2450 BATTERY (FOR REMOTE)



## REMOTE CONTROL



## HARD WIRE COVER PLATE

**Optional firebox log set and media supplied separately.**

## INITIAL INSTALLATION

**WARNING:** If the information in these instructions is not followed exactly, a fire or explosion may result causing property damage, personal injury or death

### **WARNING: RISK OF FIRE!**

To prevent a possible fire, do not block air intake or exhaust in any manner. Do not use on soft surfaces where openings may become blocked. Do not blow or place insulation against the firebox.

To reduce the risk of fire do not store or use gasoline or other flammable vapors in the vicinity of this or any other heater.

**CAUTION:** Keep combustible materials, such as furniture, pillows, bedding, papers, clothes and curtains at least 3 feet (0.9m) from the front of the heater and keep them away from the sides and rear.

**CAUTION:** Wear gloves and safety glasses for protection during installation and maintenance.

### **Installing the fireplace**

Select a suitable location that is not susceptible to moisture and is a safe distance from drapes, furniture and high traffic areas.

# INSTALLATION

## ELECTRICAL REQUIREMENTS:

For installations using the standard 1500W heater, a dedicated 20 AMP 120VAC circuit will be required. For installations opting to use the 3000W heater, a dedicated 20 Amp 4 wire 240VAC circuit will be required instead. No modification to the fireplace or extra parts are needed to use the 3000W heater.

Note - Follow all national and local electrical and building codes.

All UE35 and UE42 fireplace models come supplied with a grounded 3-prong power cord attached for 120VAC, 1500W installations.

ALL MODELS			
HEATER OPTION	VOLTS (AC)	HZ	AMPS
1500W	120	60	14
3000W	240	60	14

Table 2: Electrical Requirements

## WIRING:

**To be performed by a qualified electrician according to local building codes.**

The fireplace comes pre wired with a 3 prong power cord for installations using the standard 1500W heater utilizing an existing accessible electrical outlet i.e. fireplace insert. For installations where the fireplace will be built into the wall, the power cord must first be removed.

- Locate and remove the electrical cover plate on the right hand side of the fireplace (when facing the fireplace).
- Remove the clear plastic cover above the wiring terminals.
- Disconnect the three wires from the terminal block and discard the power cord and cover plate.
- Locate the hard wire cover plate supplied in the manual bag of the fireplace and wire the incoming hard wire as instructed on the following page.

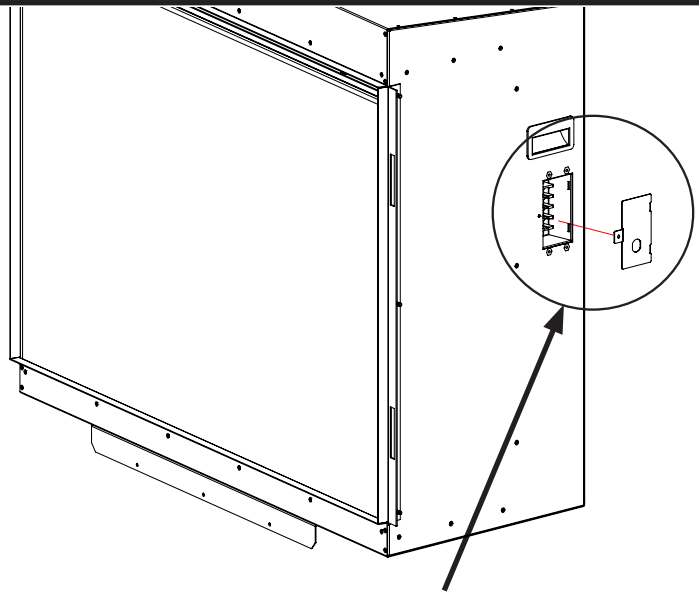


Figure 1: Electrical Cover Location



Figure 2: Existing Power Cord Strain Relief

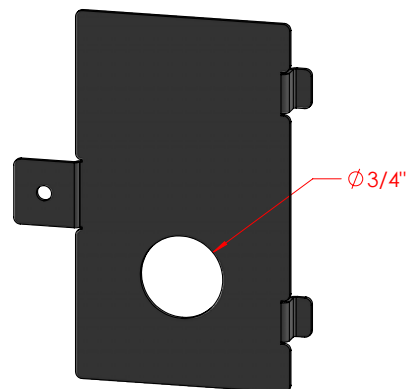


Figure 3: Supplied hard wire cover plate

# INSTALLATION

Make sure the connections are made using a wiring connector type approved by local building codes.

## 120VAC 1500W Wiring

For installations using the standard 1500W heater, A 3 wire 120VAC 20 Amp dedicated circuit will be required. See the 3 wire diagram as shown. Connect to the L1, Ground and Neutral terminals. **L2 terminal is not used for 120VAC installations.**

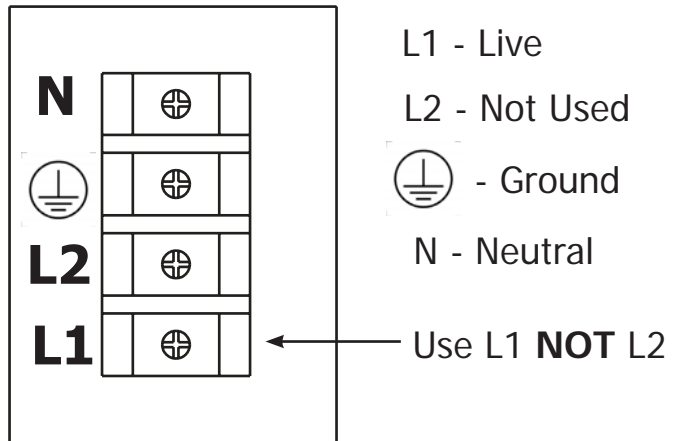


Figure 4: 1500W Wiring Diagram

## 240VAC 3000W Wiring

For installations opting to use the 3000W heater, a 4 wire 240VAC 20 Amp dedicated circuit **MUST** be used. See the 4 wire diagram as shown. All 4 wiring terminals are used for this installation. The fireplace must be hard wired and **the supplied power cord CANNOT be used.**

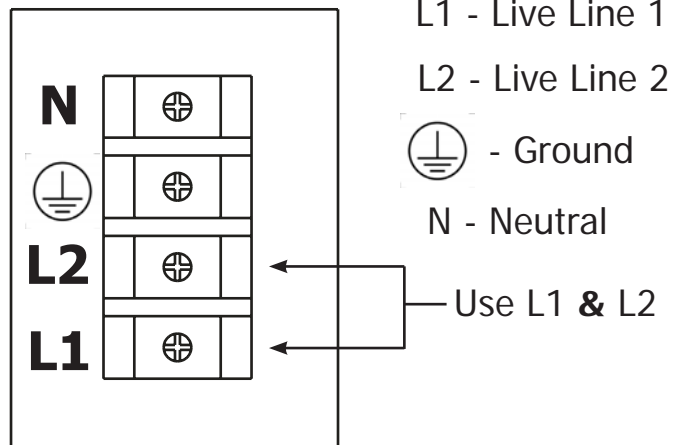


Figure 5: 3000W Wiring Diagram

## MINIMUM FIREPLACE SIZE

This electric fireplace is permitted to be installed as an insert into a pre-existing masonry or factory built fireplace. See the table below for the minimum fireplace size required. A surround panel will be required to complete the installation.

MINIMUM FIREPLACE SIZE				
MODEL	FRONT WIDTH	REAR WIDTH	DEPTH	HEIGHT
UE35	36 5/8" (930mm)	28 1/4" (717mm)	12 7/8" (327mm)	26 1/4" (667mm)
UE42	43 5/8" (1108mm)	35 3/16" (894mm)	12 7/8" (327mm)	29 1/4" (743mm)

Table 3: Minimum Fireplace Size

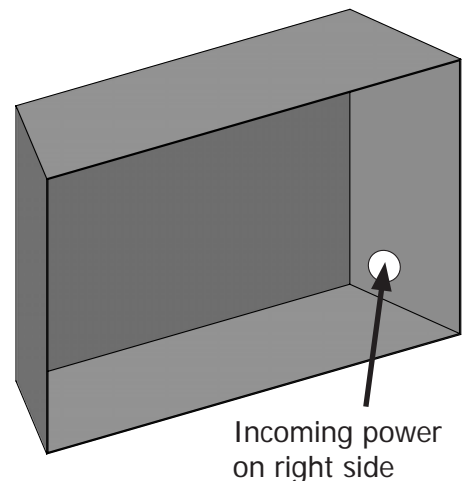


Figure 6: Incoming Power Location

# INSTALLATION

## BUILT-IN / ZERO CLEARANCE

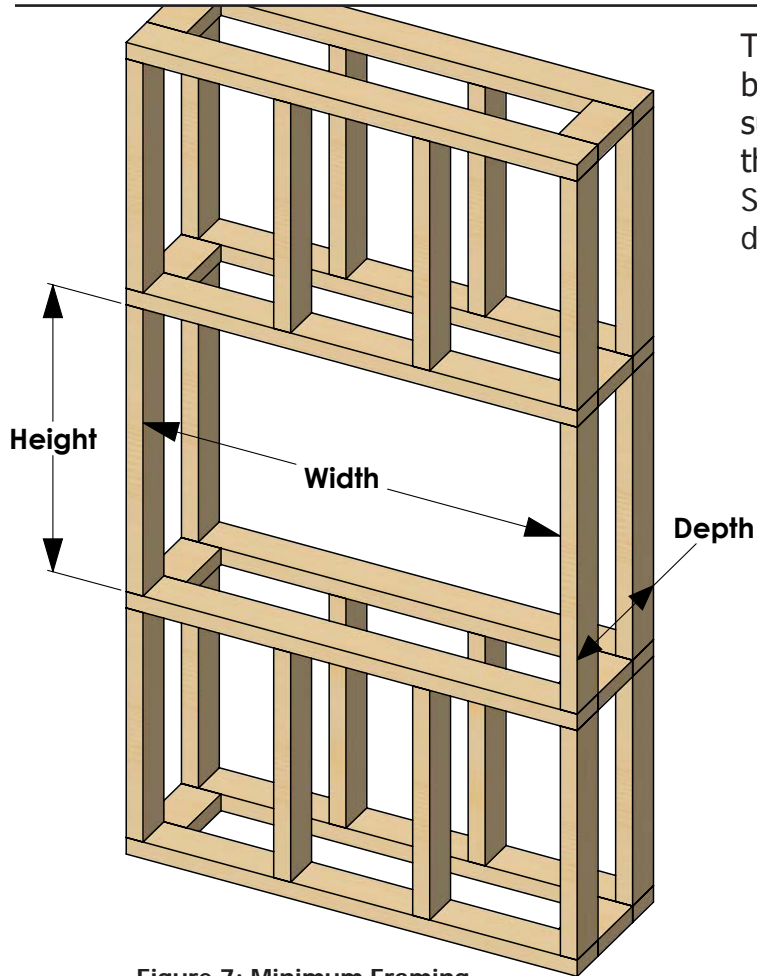


Figure 7: Minimum Framing

This electric fireplace may also be permanently built into the wall as a zero clearance fireplace. The supplied power cord must first be removed from the fireplace as outlined in the previous section. See the table below for the minimum framing dimensions required.

MINIMUM FRAMING SIZE			
MODEL	WIDTH	DEPTH	HEIGHT
<b>UE35</b>	37" (940mm)	12 7/8" (327mm)	26 1/4" (667mm)
<b>UE42</b>	44" (1118mm)	12 7/8" (327mm)	29" (743mm)

Table 4: Minimum Framing Size

A surround panel is not required to finish a built-in installation but one may still be used, if desired, when correctly planned for. **Only 1/2" (12.7mm) thick finishing material can be used and it must stop 3/4" (19mm) short of the side finishing flanges** to leave the surround panel slots accessible. If a surround panel is not desired there is no material thickness limitation and it can finish directly against the side finishing flanges on the fireplace.

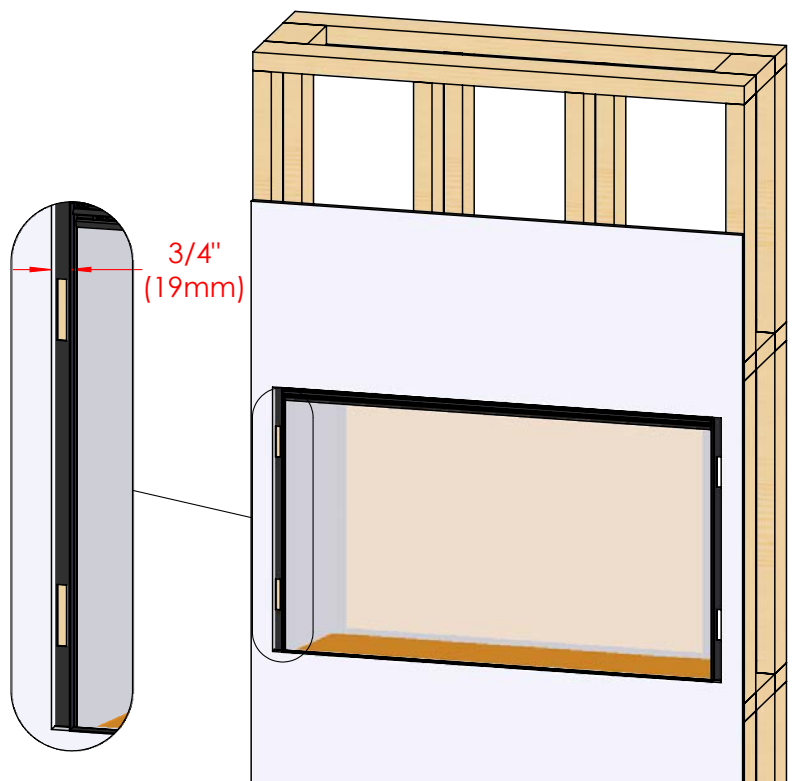


Figure 8: Built-in Finishing

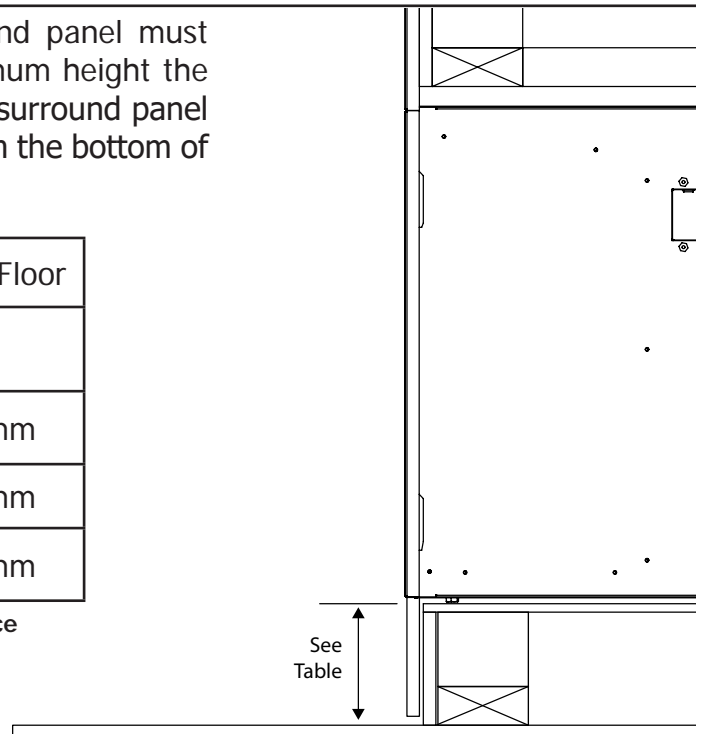
# INSTALLATION

## MINIMUM FLOOR HEIGHT

When preparing for installation the desired surround panel must be accounted for. See the table below for the minimum height the fireplace needs to be off the floor depending on the surround panel size and configuration used. Measurement taken from the bottom of the fireplace.

Surround Panel	Height From Floor
50-4605 UE35 Regular (w/ small bottom panel)	0"
50-4605 UE35 Regular	2 ¾" / 70mm
50-4606 UE35 Oversized	3 ¾" / 95mm
50-4607 UE42 Regular	1 ½" / 38mm

**Table 5: Minimum Surround Panel Floor Clearance**



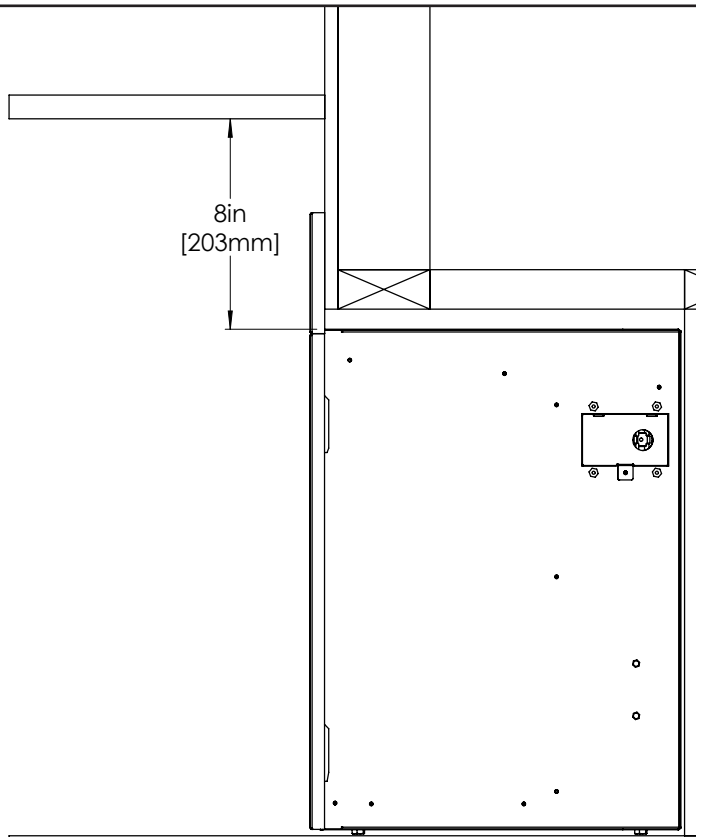
**Figure 9: Required Floor Clearance**

## CLEARANCE TO COMBUSTIBLES

If installing a mantel above the fireplace there must be a minimum 8" clearance as measured from the top of the fireplace opening. Heat resistant paint is recommended to prevent any potential discoloration. Non-combustible front wall finishing material is not required.

Clearance to Combustibles	
Side	0"
Bottom	0"
Top	0"
Mantel	8" / 203mm

**Table 6: Clearance to Combustibles**



**Figure 10: Mantle Clearance**

# INSTALLATION

## FRONT GLASS

This fireplace has a bottom channel and a 2 piece top retainer that holds the front glass in place. There are four small Phillips screws across the top of the fireplace that hold the retainer in place.

Prior to front glass installation, remove the protective plastic film from the rear LCD screen.

1. Remove the plastic corners and inner protective film from the front glass. Insert the front glass into the bottom channel at an angle.
2. Gently lay the front glass back until the top touches the fireplace.
3. First, install the top retainer using the four (4) supplied screws and Phillips screwdriver.
4. Second, attach the louver to the top retainer using the four (4) remaining Phillips screws. The outer protective film can now be removed from the front glass.

To remove the front glass after installation, reverse these steps.

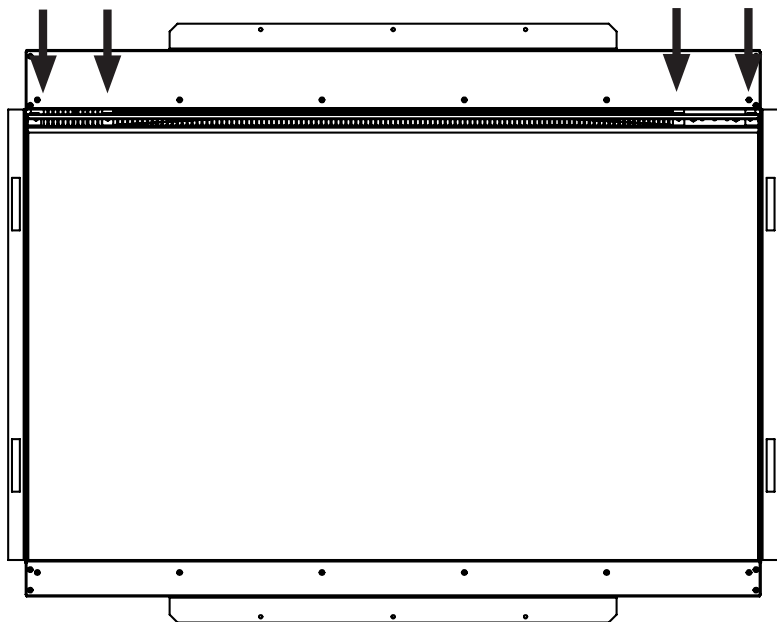


Figure 11: Front Glass Retainer Screw Positions

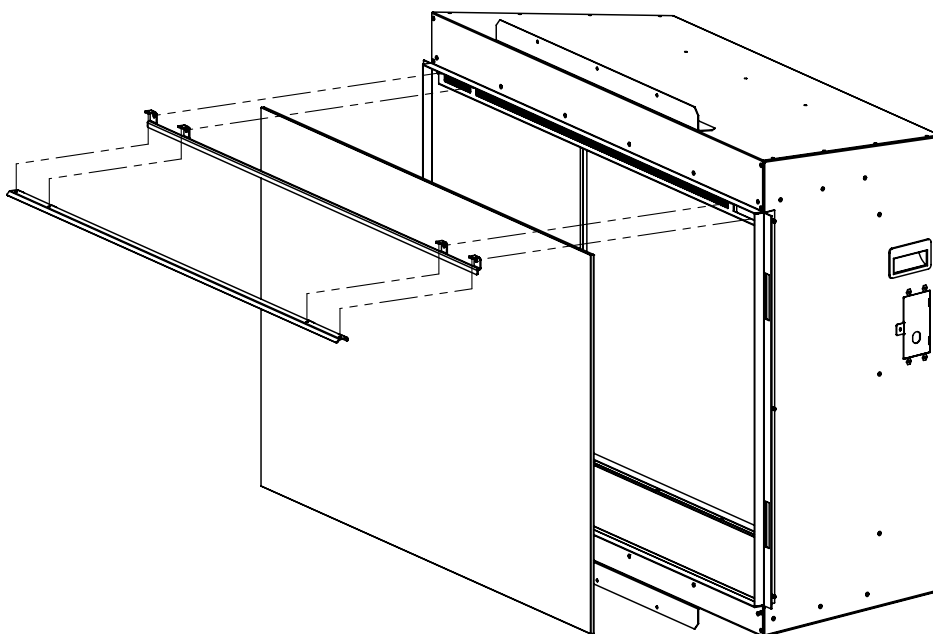


Figure 12: Front Glass Removal / Installation

# INSTALLATION

## SURROUND PANEL

If installing the fireplace as an insert, a surround panel will be required to complete the installation.

The surround panels are a 4 piece design and will require assembly prior to installation as shown:

Lay all 4 panels face down on a soft surface or blanket. Use a 1/4" hex / socket driver to install the supplied sheet metal screws into the panels to attach them together.

If using the surround panel on a built-in fireplace, an additional filler strip (supplied with the panel) will need to be fastened to the top panel. Refer to the instruction sheet supplied with the surround panel for more information.

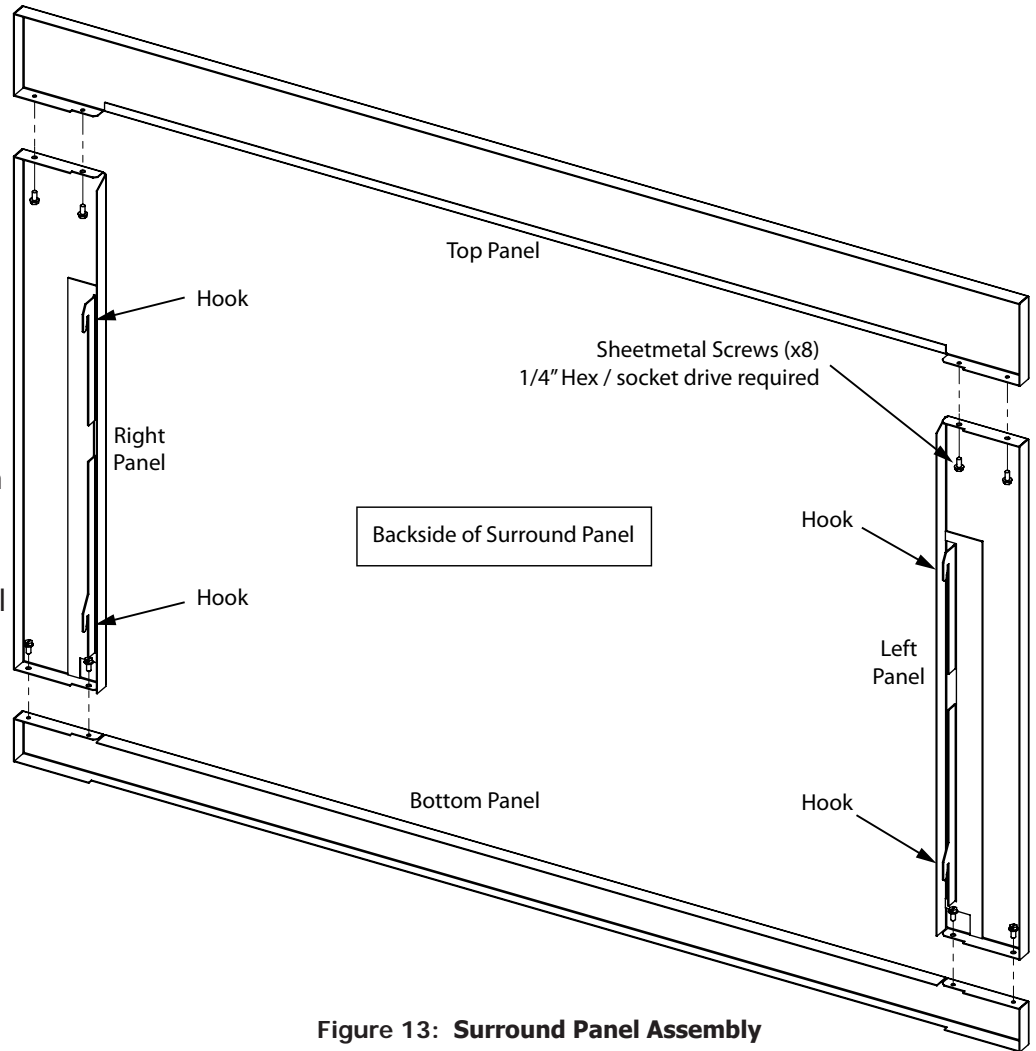


Figure 13: Surround Panel Assembly

Once the surround panel is assembled it easily hooks onto the two slots on each side at the front of the fireplace.

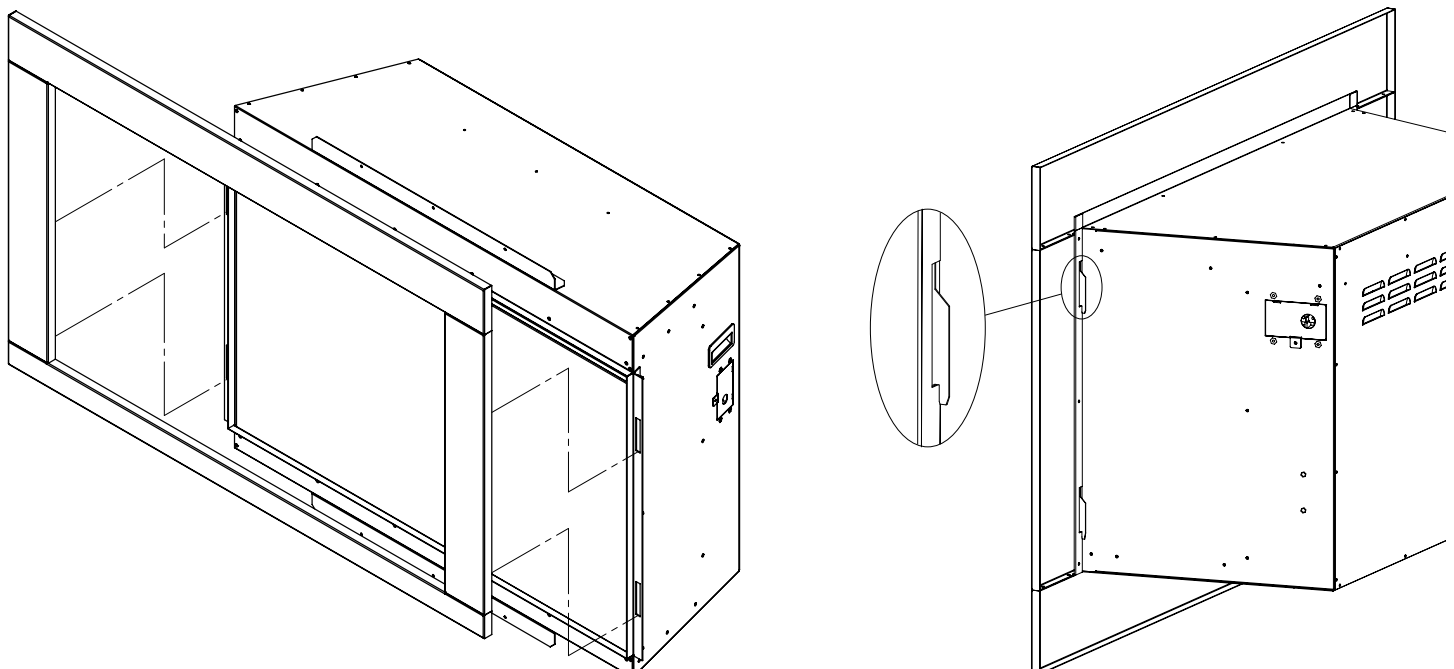


Figure 14: Surround Panel Installation

Figure 15: Surround Panel Hooks Installed

# OPERATION

## MANUAL CONTROLS

For manual control of the fireplace there is a control panel located just above the front glass at the top right hand side behind the glass retainer louver. The control panel consists of 4 user buttons which are Power, Brightness, Flame and Heater from left to right. Above the row of user buttons is the Reset button.

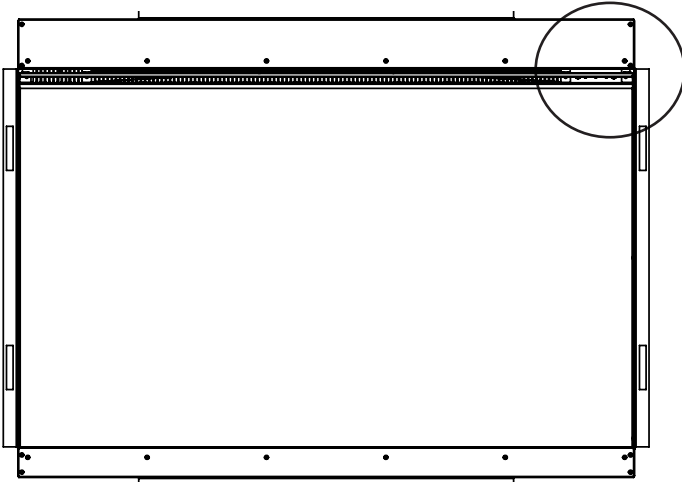







Figure 16: Control Panel Location



Figure 17: Control Panel

-  **Power** - Press once to wake up the fireplace and press again to turn the fireplace on. To turn the fireplace off press button again at any time.
-  **Brightness** - Pressing the brightness button will adjust the brightness level of both the top and ember bed light simultaneously. The LCD screen will temporarily display the current setting.
-  **FLAME** - Press this button to cycle through the 5 different flame pattern videos that are pre loaded on the fireplace.
-  **Heater** - Press once to turn the fireplace heater on low. Press twice to turn the heater up to high. Press button again to turn heater off (close). The LCD screen will temporarily display the current setting.
-  **RESET** **Reset** - Clears the fireplace memory of any paired remote. Insert the reset key or an unfolded paper clip into the pin hole and hold for 3 seconds. The fireplace is now ready to pair to a new remote. See Remote Controls section of manual for pairing instructions.

# OPERATION

## REMOTE CONTROLS

The fireplace may also be controlled using the supplied remote. The remote control is capable of making many fireplace setting adjustments that are not possible with the manual controls. To use the remote first install the supplied battery (see Remote Control Battery section). Once the battery is installed the remote must be paired to the fireplace.

### Pairing the Remote to the fireplace:

1. Manually turn the fireplace on by pressing the POWER button on the control panel
2. Press the power button again and hold it down for 3 seconds.
3. Within 5 seconds, repeatedly press the power button on the remote. Pairing must be done within 5 seconds of pressing the fireplace power button or else the fireplace will exit pairing mode. The fireplace should turn off when paired correctly.

### Remote Control Layout

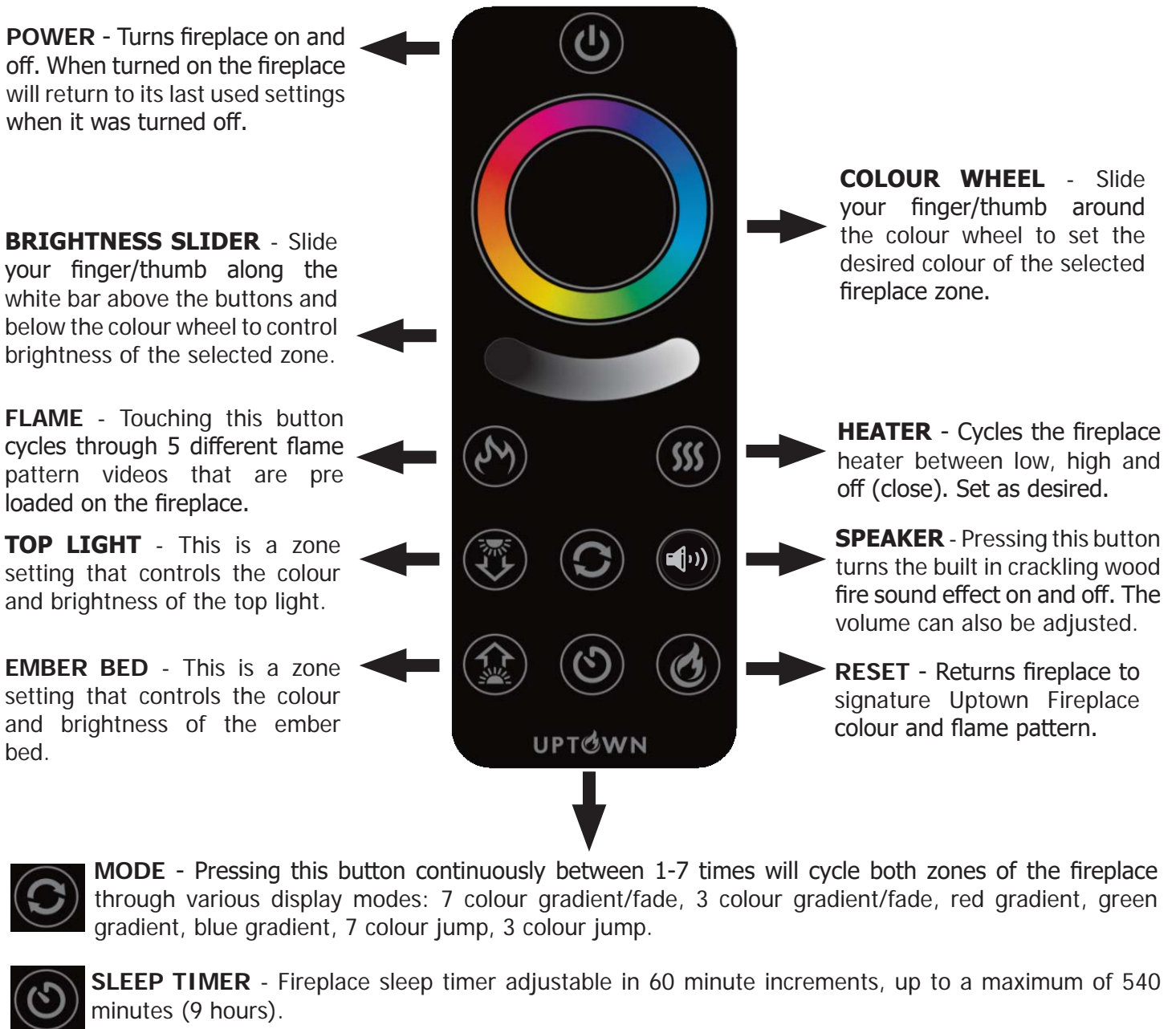


Figure 18: Remote Control

# OPERATION

## WI-FI CONTROLS

This fireplace is also capable of being controlled over Wi-Fi using an Apple or Android mobile device. Scan the QR code for an instructional walk through video on how to download and setup the app needed to control your Uptown Electric fireplace. Alternatively, you can follow the steps below.

**Note - The flame pattern video can only be changed using the remote control or manual control panel.**



Figure 19: Setup Video QR Code



1. Download the app **Smart Life - Smart Living**, from either the Apple App Store or Google Play Store, and create a new user account.

2. Turn on the fireplace using either the control panel or remote control.

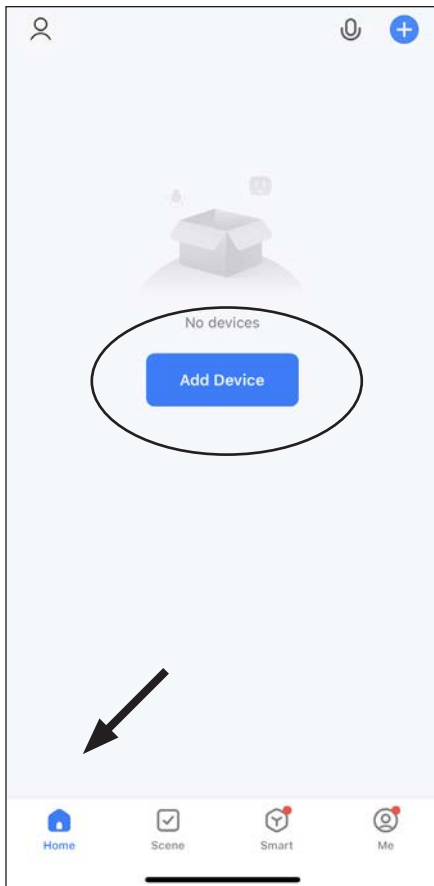


Figure 20: Add Device

3. Navigate to the **Home** screen in the app and press the **Add Device** button.

4. On the Add Device screen select the **Small Home Appliances** category then pick **Electric Fireplace (Wi-Fi)**.

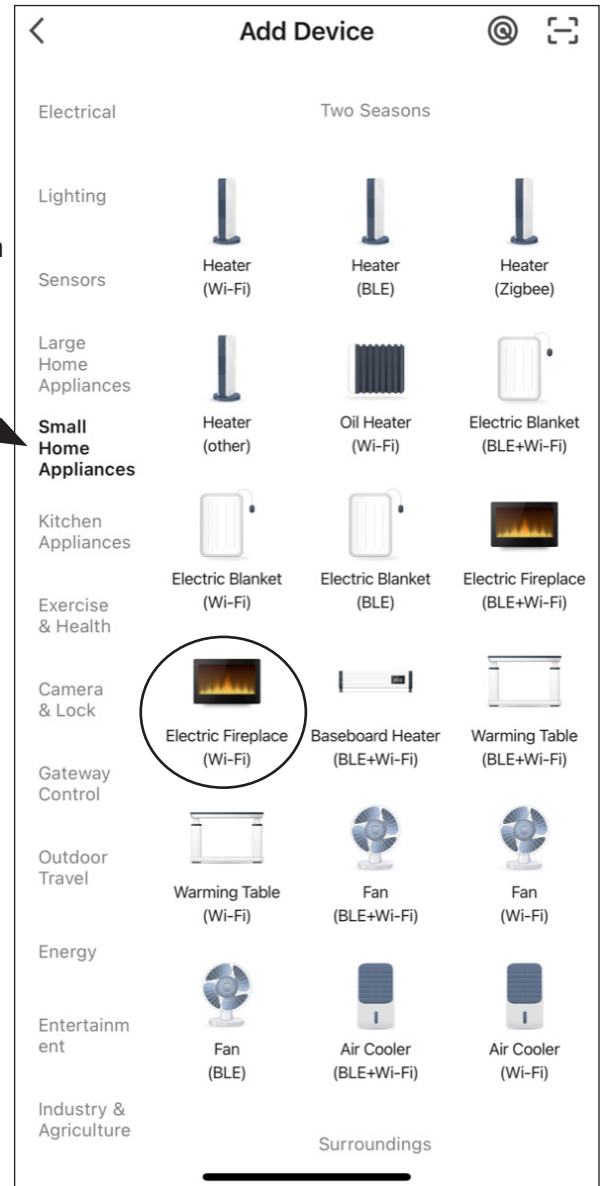


Figure 21: Appliance Selection

# OPERATION

5. Next you will be prompted to connect to your existing home wireless network. Select the appropriate 2.4GHz network and log in.

**Note** - Only 2.4GHz wireless networks are compatible, 5GHz wireless networks cannot be used. If not available, contact your wireless service provider for further information on setting up a 2.4GHz wireless network.

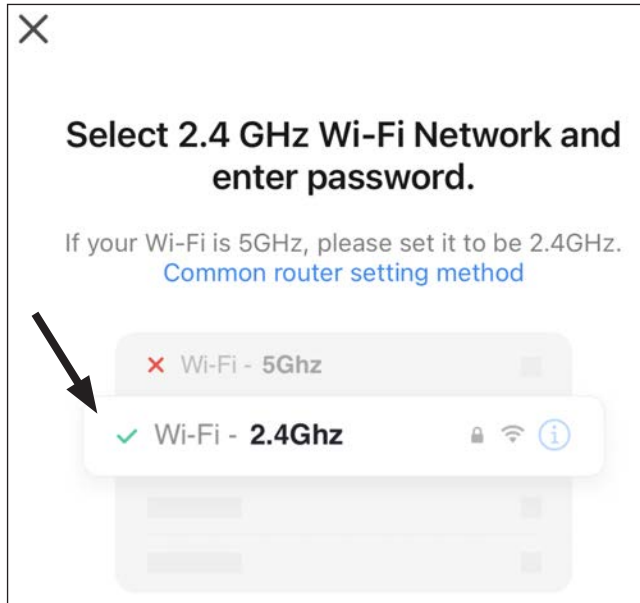


Figure 22: Network Connection

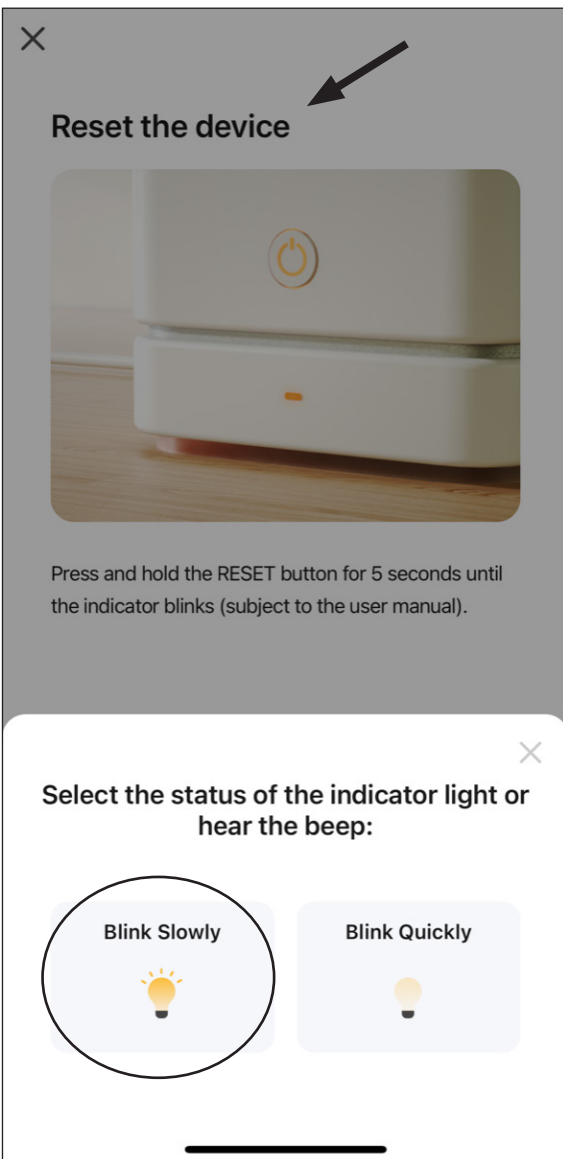


Figure 23: Fireplace Pairing

6. Once you are connected to your home network put the fireplace into pairing mode. Press and hold the **FLAME** button on the control panel (see page 12) of the fireplace until the back flame and ember bed begin slowly flashing at the same time.

7. With the fireplace now in pairing mode select the **Blink Slowly** option on the **Reset the Device** screen in the app (see figure 23). The app will begin pairing to the fireplace on a timing screen and automatically finish once pairing is successful (see figure 24).

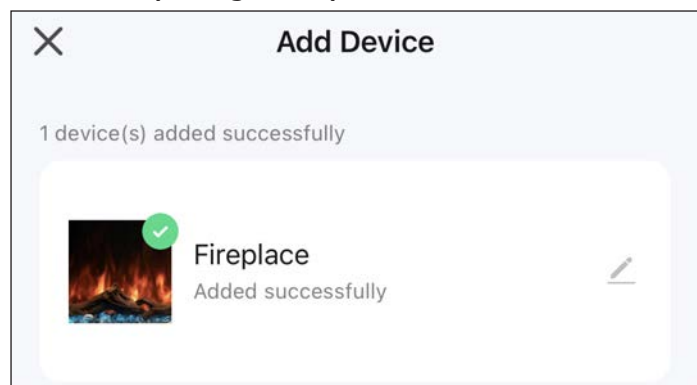


Figure 24: Fireplace Successfully Paired

# OPERATION

8. With the fireplace now successfully paired it can be controlled in the same manner as the remote controls (see page 13). Added capabilities like Sleep Timer and Heat Program are only possible when using the app.

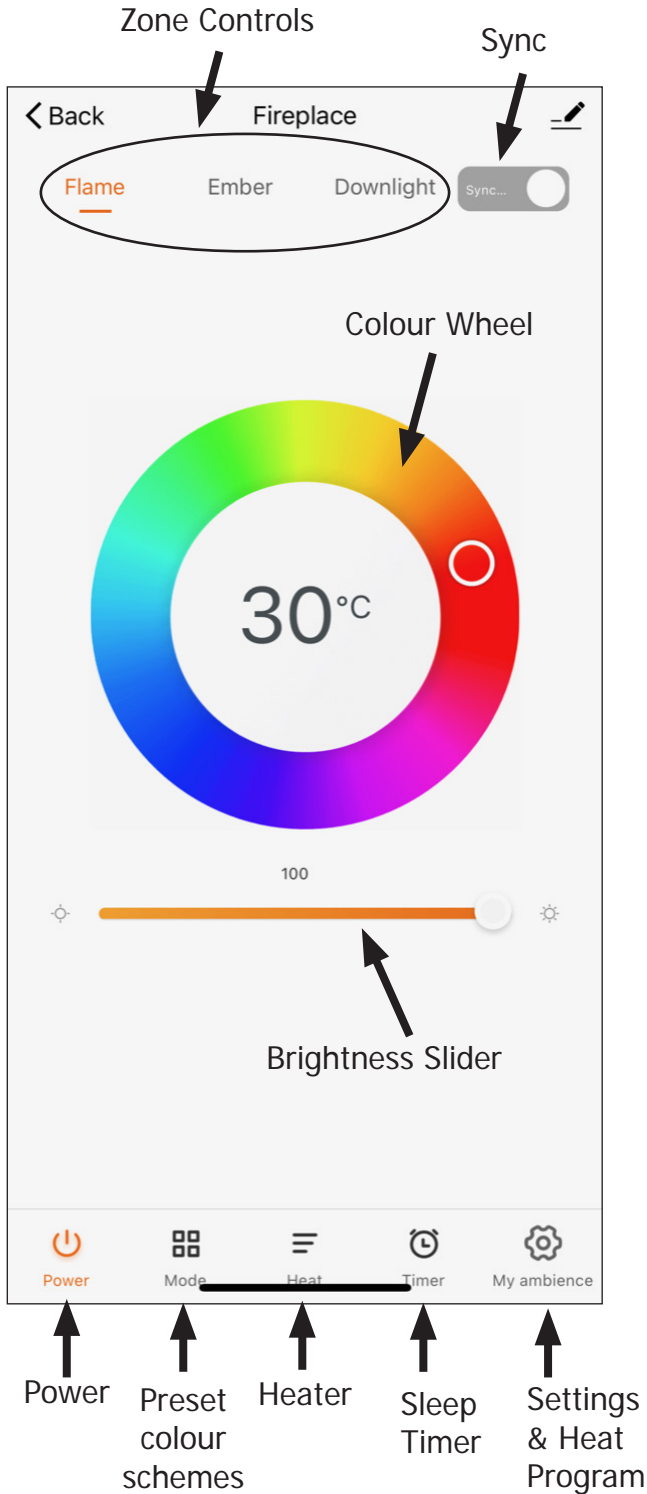


Figure 25: Fireplace App Controls

## Creating a Heat Program

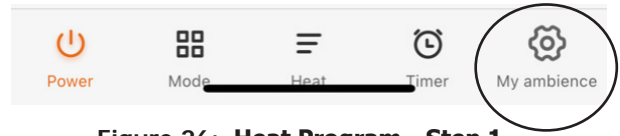


Figure 26: Heat Program - Step 1

In the **My Ambience** screen select the **Heat Program** option. This feature is a 7-day program that allows you to pick what time of day you would like the fireplace and heater to turn on and off.

1. Select the desired day of the week and time slot. In the example below a program has been selected for Wednesdays from 1:00PM-6:00PM.

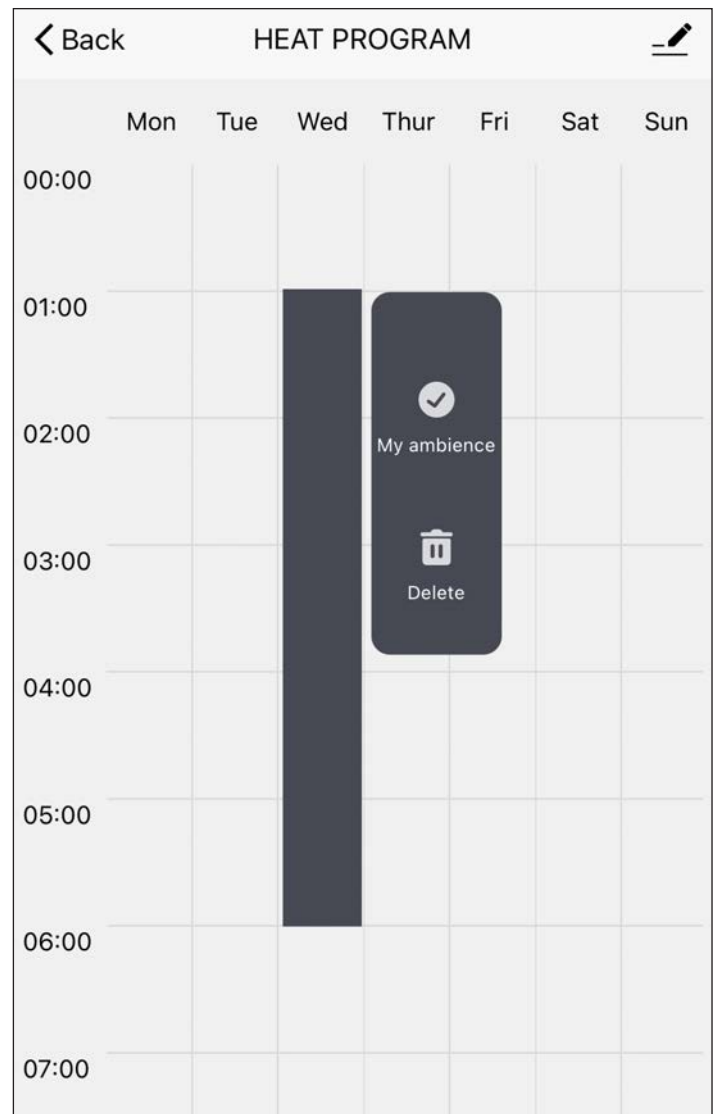


Figure 27: Heat Program - Step 2

# OPERATION

2. Next, in the pop-up window select the desired program settings:

**Switch** - Turn fireplace on or off

**Gear** - Turn heater on low, high, off

**Temperature** - Set desired temperature

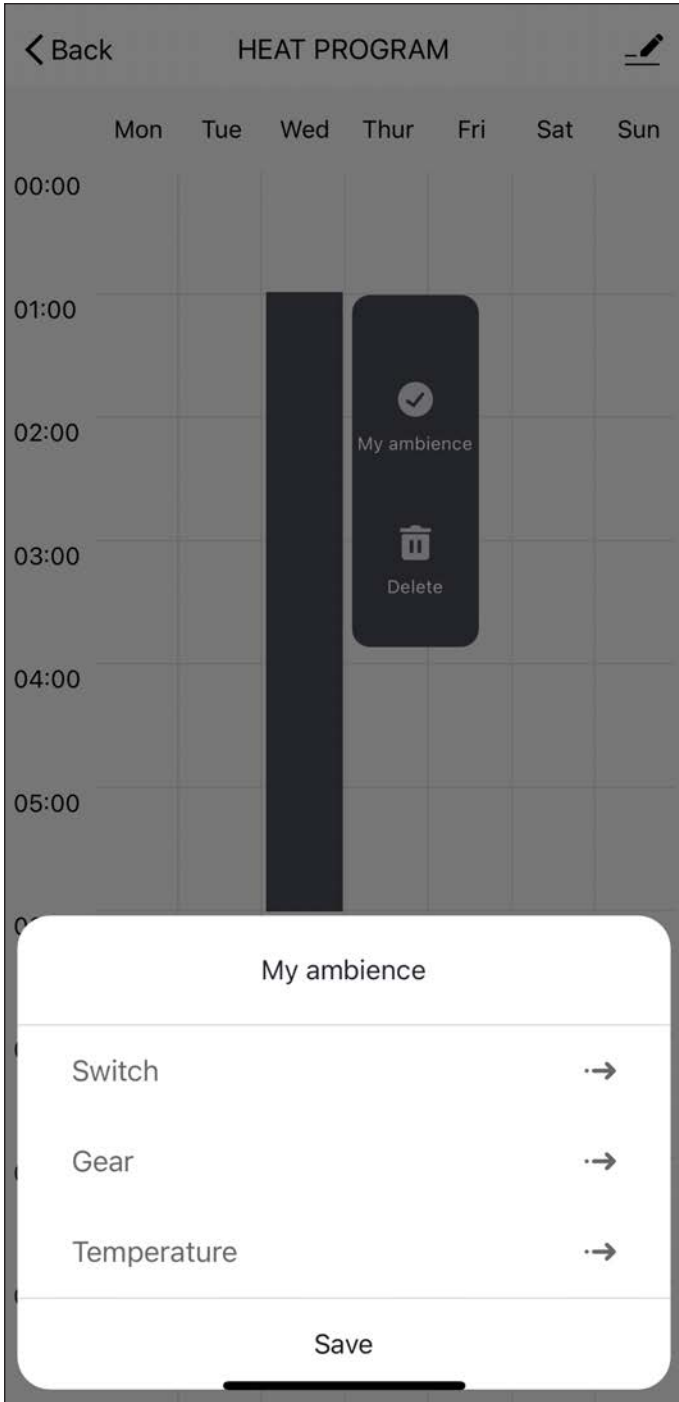


Figure 28: Heat Program - Step 3

3. The Heat Program is now set to turn the fireplace and heater on at 1:00PM every Wednesday to maintain a temperature of 20°C until 6:00PM.

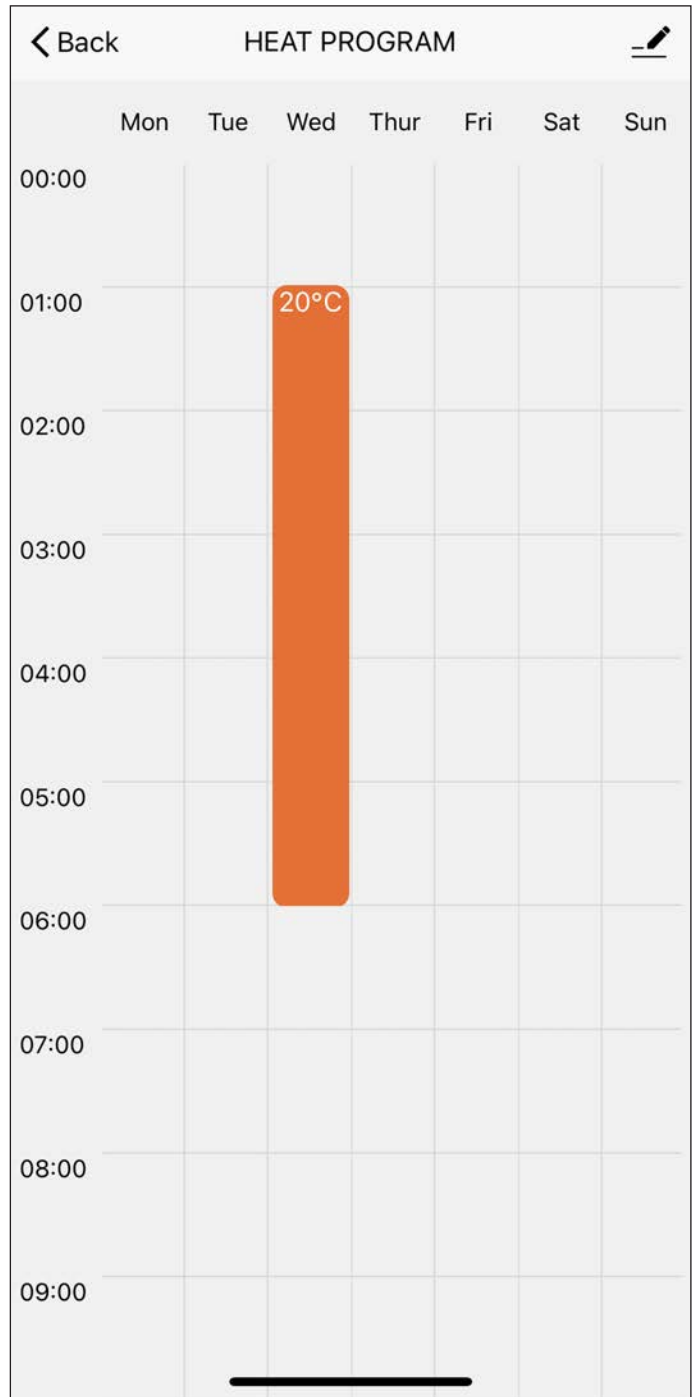


Figure 29: Heat Program - Step 4

# REMOTE CONTROL BATTERY

---

To install or replace the remote control battery, follow the steps below:

1. Insert the supplied reset key or an unfolded paper clip into the pin hole in the back of remote control.
2. Push the key/paper clip into the pin hole to separate the remote top from the bottom housing.
3. Slide the existing battery down and out of the metal sleeve.
4. Slide the new battery (**CR2450**) up into the metal sleeve, **+ sign facing up**.
5. Re-attach the remote top to the bottom housing. It will automatically attach via magnets once close enough.

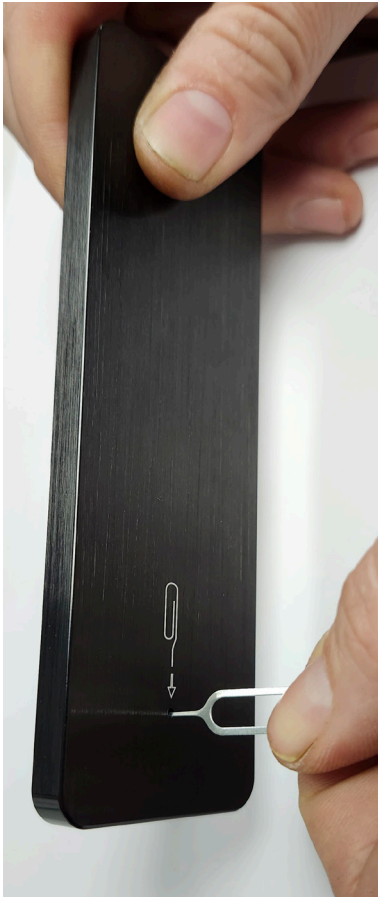


Figure 30: Remote Battery - Step 1



Figure 31: Remote Battery - Step 2



Figure 32: Remote Battery - Step 3

# CLEANING & MAINTENANCE

---

On a semi-annual basis disconnect the fireplace from main power, wait for the heating element to cool and dust the fireplace with a dry cloth. Be careful not to brush any wires that may be exposed.

- To clean the glass of the fireplace simply use any household desired glass cleaner with paper towels.
- To clean the air inlets/outlets, wipe with a soft cloth or the nozzle of a vacuum cleaner
- Dust can easily build up around the heater area inside the fireplace, on the left and right sides. Take particular care to clean this area on a regular basis to prevent buildup.
- For long periods of inactivity, unplug the fireplace and ensure the surrounding area remains dry.



# TROUBLESHOOTING

Problem	Possible Cause	Solution
Fireplace will not turn on	Tripped circuit breaker, circuit has no power	· Reset breaker. Test circuit for incoming power
	Fireplace needs to be reset	· Turn off main power breaker to fireplace for 60 seconds, then turn back on
	Loose connection	· Disconnect fireplace from power and inspect for any loose or damaged wire connections
	Defective component	· Contact your Uptown Fireplace dealer
Fireplace turns off and will not turn back on	Fireplace has overheated and tripped the safety circuit	· Turn off main power breaker to fireplace for 60 seconds, then turn back on
Can operate fireplace with manual controls but not remote	Low battery	· Replace the battery in the remote using the reset key or unfolded paperclip. Required battery is a <b>CR2450</b>
	Remote not paired correctly to fireplace	· Follow remote pairing procedure on page 13. Remote must be paired to the fireplace within 5 seconds
	Defective Remote Control	· Replace the remote control. Contact your Uptown Fireplace dealer
No heat from heater when turned on	Loose connection	· Disconnect fireplace from power and inspect heater for any loose connections
	Safety circuit tripped	· Turn off the heater for 5 minutes to reset
	Defective heater	· Replace the heater. Contact your Uptown Fireplace dealer
Fireplace turns on with no flame	Loose connection	· Disconnect fireplace from power and inspect for any loose or damaged wire connections
	Defective component	· Contact your Uptown Fireplace dealer

# PARTS LIST

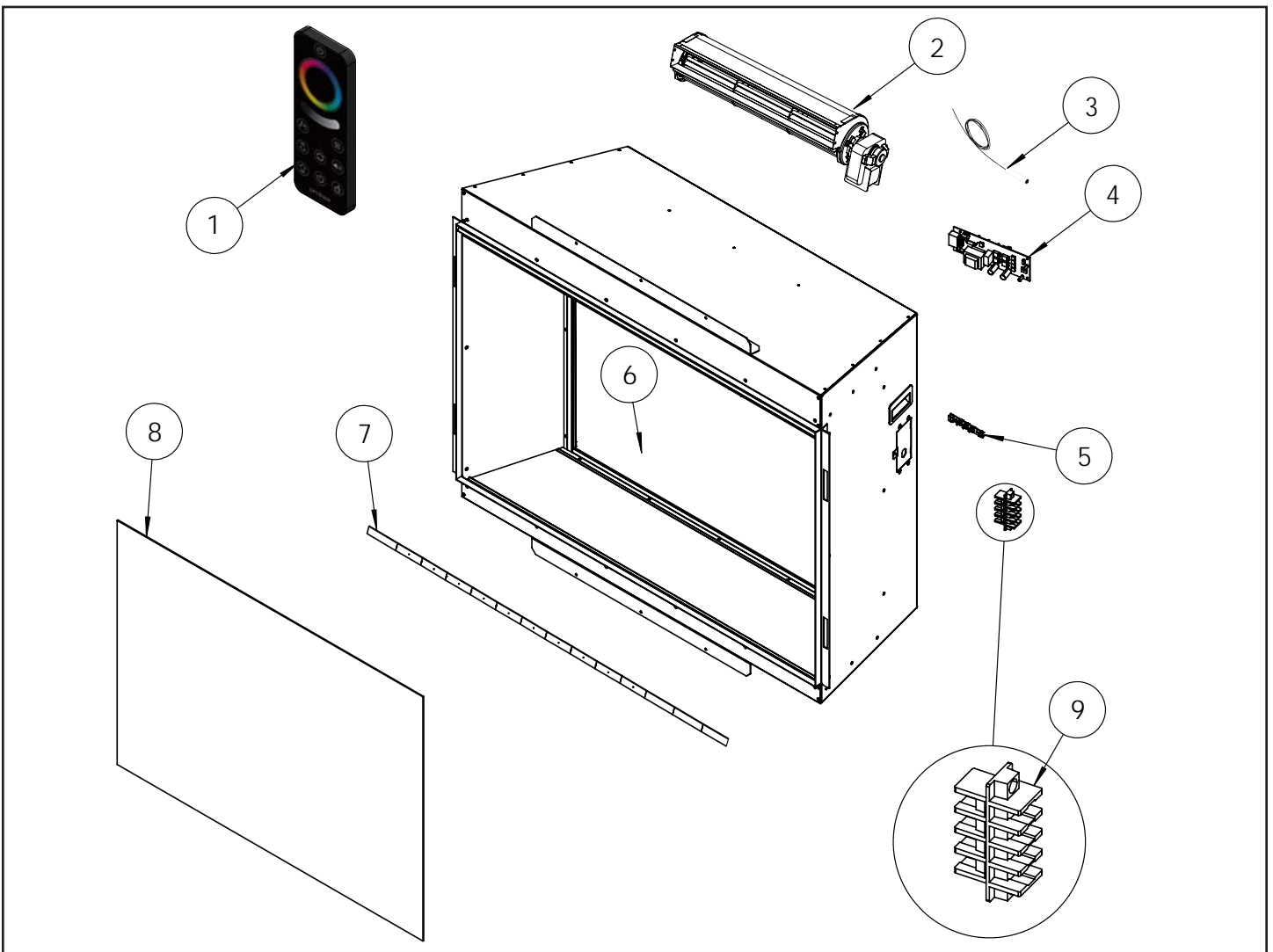


Figure 34: Parts Diagram

Replacement Parts		
#	Part Description	Part Number
1	LCD Remote Control	50-4489
2	Fan Heater (240V ready)	50-4377
3	Thermostat Sensor	50-4398
4	LCD Main Control Board	50-4490
5	LCD Manual Control Panel Board	50-4614
-	Wi-Fi Control Board	50-4396
6	UE35 LCD Monitor	50-4612
	UE42 LCD Monitor	50-4613
7	LED Strips (4 pcs.)	50-4378
8	UE35 Front Glass	50-4597
	UE42 Front Glass	50-4600
9	4 Position Wiring Terminal Block	50-4414

Log Sets & Media		
#	Part Description	Part Number
	UE35 Western Log Ember Media	50-4603
	UE42 Western Log Ember Media	50-4604
	UE35 Western Timber Log Set	50-4591
	UE42 Western Timber Log Set	50-4592
Surround Panels		
	UE35 Regular Surround Panel	50-4605
	UE35 Oversized Surround Panel	50-4606
	UE42 Regular Surround Panel	50-4607

Sherwood Industries Ltd. ("Sherwood") hereby warrants, subject to the terms and conditions herein set forth, this product against defects in material and workmanship during the specified warranty period starting from the date of original purchase at retail. In the event of a defect of material or workmanship during the specified warranty period, Sherwood reserves the right to make repairs or to assess the replacement of a defective product at Sherwood's factory. The shipping costs are to be paid by the consumer. All warranties by Sherwood are set forth herein and no claim shall be made against Sherwood on any oral warranty or representation.

**Conditions**

- A completed warranty registration must be submitted to Sherwood within 90 days of original purchase via the online warranty registration page. Have the installer fill in the installation data sheet in the back of the manual and keep this for your own future reference.
- This warranty applies only to the original owner in the original location from date of purchase.
- The unit must have been properly installed by a qualified technician or installer, and must meet all local and national building code requirements.
- The warranty does not cover removal and re-installation costs.
- Sherwood Industries Ltd. reserves the right to make changes without notice.
- Sherwood Industries Ltd. and its employees or representatives will not assume any damages, either directly or indirectly caused by improper usage, operation, installation, servicing or maintenance of this appliance.
- A proof of original purchase must be provided by you or the dealer including serial number.

**Exclusions**

An expanded list of exclusions is available at [www.uptownfireplaces.com/exclusions/](http://www.uptownfireplaces.com/exclusions/)

This warranty does not cover:

- Damage as a result of improper usage or abuse.
- Damage caused due to incorrect setup or tampering.
- Damage caused by incorrect installation.

**To the Dealer**

- Provide name, address and telephone number of purchaser and date of purchase.
- Provide date of purchase. Name of installer and dealer. Serial number of the appliance. Nature of complaint, defects or malfunction, description and part # of any parts replaced.
- Pictures or return of damaged or defective product may be required.

**To the Distributor**

- Sign and verify that work and information are correct.

**Sherwood Industries Ltd.**

6782 Oldfield Road, Victoria, BC. Canada V8M 2A3

Online warranty registration: [www.uptownfireplaces.com/product-registration/](http://www.uptownfireplaces.com/product-registration/)

Category	One Year	Two Year	Three Year
Glass Panel			✓
LCD Display Screen		✓	
Flame Effect Screen			✓
Power Unit	✓		
Heater Unit	✓		
Ember Bed			✓
Flame Effect Spindle / Flame Effect LED Board	✓		
Fuel Effect Spindle / Fuel Effect LED Board	✓		
Spindle Motor	✓		
Power Cable / Plug Kit		✓	
Remote Control		✓	
Fan		✓	
Media (Log Sets, Glass Media)			✓

**Important:** A 120 VAC, 20A dedicated circuit is required for operation of the 1500w heater. 1 240VAC, 20A dedicated circuit is required for the 3000w heater. A dedicated circuit is required to prevent circuit breaker tripping or fuse failure. Failure to provide adequate power to this appliance will void your warranty.

**Note:** If hard wiring to the appliance, this must be completed by a qualified electrician. Failure to do so will void your warranty.

# NOTES

---

# INSTALLATION DATA SHEET

The following information must be recorded by the installer for warranty purposes and future reference.

NAME OF OWNER:  
\_\_\_\_\_  
  
ADDRESS:  
\_\_\_\_\_  
\_\_\_\_\_  
\_\_\_\_\_  
  
PHONE: \_\_\_\_\_

NAME OF DEALER:  
\_\_\_\_\_  
  
ADDRESS:  
\_\_\_\_\_  
\_\_\_\_\_  
\_\_\_\_\_  
  
PHONE: \_\_\_\_\_

MODEL: \_\_\_\_\_  
SERIAL NUMBER: \_\_\_\_\_  
DATE OF PURCHASE: \_\_\_\_\_ (dd/mm/yyyy)  
DATE OF INSTALLATION: \_\_\_\_\_ (dd/mm/yyyy)  
  
INSTALLER'S SIGNATURE:  
\_\_\_\_\_

NAME OF INSTALLER:  
\_\_\_\_\_  
  
ADDRESS:  
\_\_\_\_\_  
\_\_\_\_\_  
\_\_\_\_\_  
  
PHONE: \_\_\_\_\_