

UPTOWN

LUXURY ELECTRIC FIREPLACES

INSTALLATION & USER MANUAL

APPLICABLE FOR THE
UE43H FIREPLACE



UE43H

HOLOGRAPHIC FIREPLACE

INSTALLER: Leave this manual with the appliance. CONSUMER: Retain this manual for future reference.

C-17278

SAFETY PRECAUTIONS

Read these instructions completely before beginning installation. Failure to follow them could cause a heater malfunction resulting in serious injury and/or property damage.

WARNING: All electric heaters have hot and arcing or sparking parts inside. Do not use it in areas where gasoline, paint or flammable liquids are or are stored.

This fireplace meets the construction and safety standards of H.U.D. for application in manufactured homes when installed according to these instructions

- When using electrical heaters, basic precautions should always be followed to reduce the risk of fire, electric shock and injury to persons, including the following:
- Failure to follow these instructions may also void your fire insurance and/or warranty.

- **WARNING: Improper installation, adjustment, alteration, service or maintenance can cause injury or property damage. Refer to this manual. For assistance or additional information, consult a qualified installer.**
- **CAUTION: Do not expose the heater to the elements (such as rain, etc).**
- **Do not place clothing or other flammable material on or near firebox. Never place any objects on the fireplace.**
- **Do not place clothing or other flammable material on or near firebox. Never place any objects on the fireplace.**
- **Fireplace becomes very hot when running. Keep children and adults away from hot surfaces to avoid burns or clothing ignition. Fireplace will remain hot for a time after shutdown. Allow surfaces to cool before touching.**



CAUTION: In order to avoid overheating, do not cover the heater.

FOR YOUR SAFETY

1. Read all instructions before installing or using this heater.
2. This heater is hot when in use. To avoid burns, do not let bare skin touch hot surfaces. Keep combustible materials, such as furniture, pillows, bedding, papers, clothes, and curtains at least 3 feet (0.9m) from the front of the heater and keep them away from the sides and rear.
3. Extreme caution is necessary when any heater is used by or near children or disabled people and whenever the heater is left operating and unattended.
4. Do not operate any heater after it malfunctions, has been dropped, or damaged in any manner. Disconnect power at service panel and have heater inspected by an authorized technician or a reputable electrician before using.
5. Do not use outdoors.
6. To disconnect heater, turn controls to off and turn off power to heater circuit at main disconnect panel.
7. Do not insert or allow foreign objects to enter any ventilation or exhaust opening as this may cause an electric shock or fire, or damage the heater.
8. To prevent a possible fire, do not block air intakes or exhaust in any manner.
9. A heater has hot and arcing or sparking parts inside. Do not use it in areas where gasoline, paint or flammable vapours or liquids are used or stored.
10. Use this heater only as described in this manual. Any other use not recommended by the manufacturer may cause fire, electric shock or injury to persons.
11. SAVE THESE INSTRUCTIONS

TABLE OF CONTENTS

Safety Precautions	2
Table of Contents	3
Specifications	4
Dimensions:	4
Box Contents	5
Initial Installation	6
Electrical Requirements:	7
Installation - Wiring	7
Installation - Electrical	7
Installation - Framing & Finishing	8
Installation - Clearances	9
Installation - Ember Bed, Media & Logs	9
Installation - Glass & Safety Screen	16
Accessing Components	18
Cleaning & Maintenance	21
Operation	21
Wiring Diagram	22
Troubleshooting	23
Parts List	24
Notes	25

SPECIFICATIONS

DIMENSIONS:

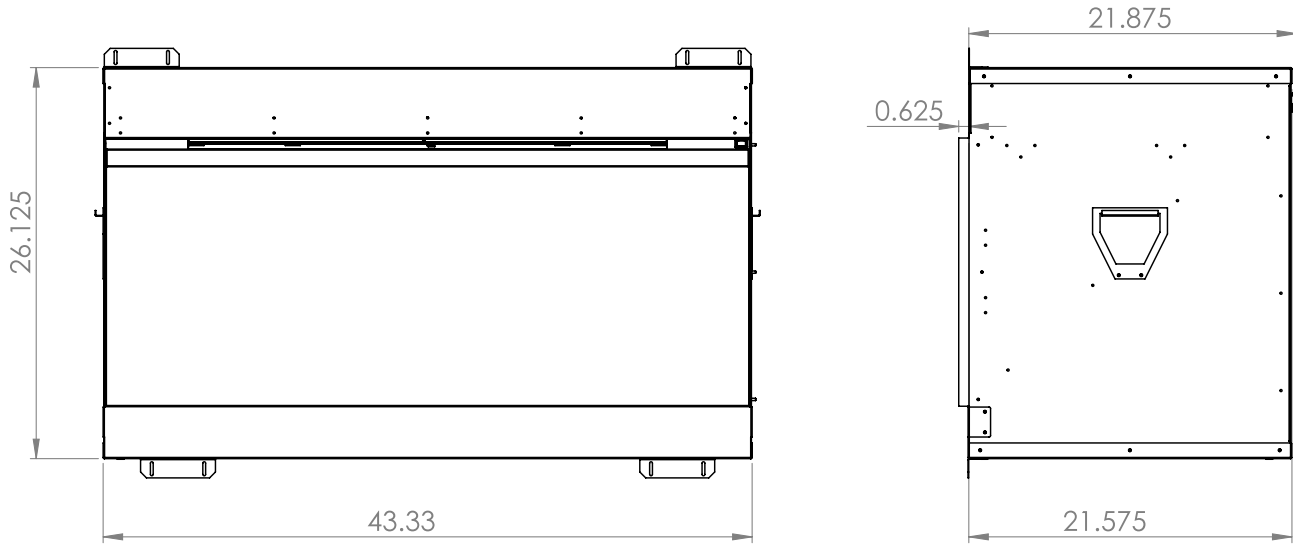


Figure 1: Fireplace Dimensions

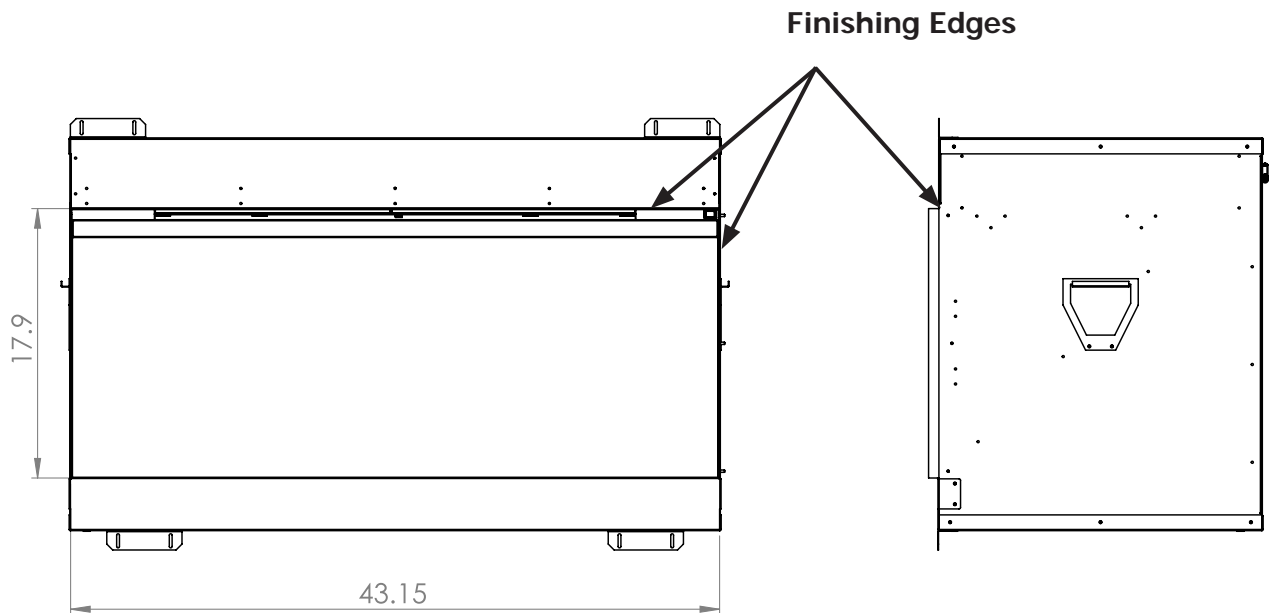
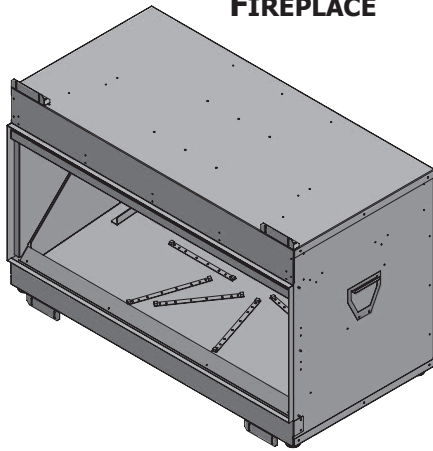


Figure 2: Drywall / Tiling Finishing Edges

BOX CONTENTS

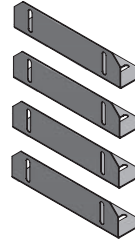
(Items shown not to scale)

FIREPLACE

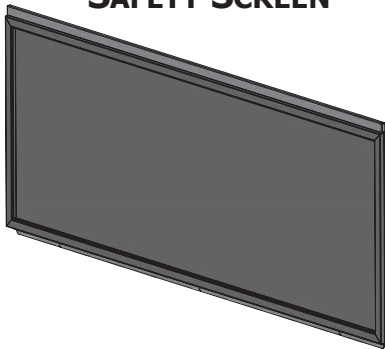


MOUNTING

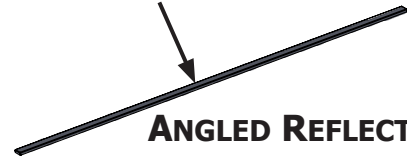
L-BRACKETS (x4)



SAFETY SCREEN



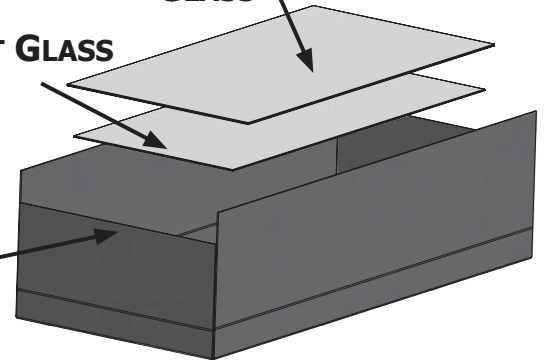
GLASS RETAINER



ANGLED REFLECTIVE GLASS

FRONT GLASS

GLASS BOX



EMBER BED



CHARCOAL MEDIA

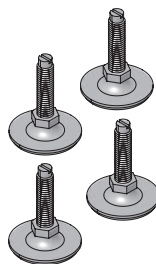


MANUAL BAG (CONTENTS BELOW)

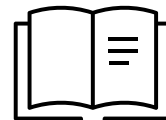
REMOTE CONTROL



LEVELING LEG x4



INSTALL MANUAL (THIS DOCUMENT)



INITIAL INSTALLATION

WARNING: If the information in these instructions is not followed exactly, a fire or explosion may result causing property damage, personal injury or death

WARNING: RISK OF FIRE!

To prevent a possible fire, do not block air intake or exhaust in any manner. Do not use on soft surfaces where openings may become blocked. Do not blow or place insulation against the firebox.

To reduce the risk of fire do not store or use gasoline or other flammable vapors in the vicinity of this or any other heater.

CAUTION: Keep combustible materials, such as furniture, pillows, bedding, papers, clothes and curtains at least 3 feet (0.9m) from the front of the heater and keep them away from the sides and rear.

CAUTION: Wear gloves and safety glasses for protection during installation and maintenance.

Installing the fireplace

Select a suitable location that is not susceptible to moisture and is a safe distance from drapes, furniture and high traffic areas.

Installation Height

It is important to install the fireplace at an appropriate height for the best viewing experience depending on the expected vantage point. If it is too low, the flame will be cut off from view, and if it is too high the screen could become visible.

Optimal viewing heights are highly subject to personal preference so use the following heights as rough starting points. If the fire will be predominantly viewed while sitting the bottom of the viewing area should be about 18" from the ground. If predominantly viewed while standing, the bottom of the viewing area should be about 30" above the ground or higher, depending on personal preference. The top of the viewing area should never be above eye level.

If using the **optional surround panel (50-4718)** the bottom of the viewing area **must be 18" from the ground**. Also, **a gap of at least 1/4"** must be left between any finishing material and the border of the finishing flanges to allow for installation of the **optional surround**. See the surround install instructions for more details.

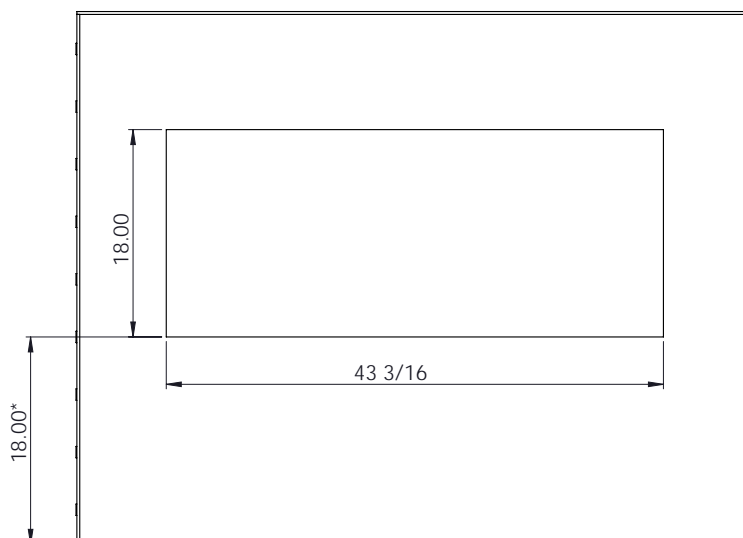


Figure 3: Optional Surround Rough Viewing Area Dimensions

*Height fixed only if using optional display.

INSTALLATION - ELECTRICAL

ELECTRICAL REQUIREMENTS:

The UE43H comes standard with a 762W heater, a dedicated 15 AMP 120VAC circuit will be required.
Note - Follow all national and local electrical and building codes.

Table 1: Electrical Requirements

UE43H			
Heater	Volts (AC)	Hz	Amps
762W	120	60	15

INSTALLATION - WIRING

To be performed by a qualified electrician according to local building codes.

This appliance must be hardwired to a 120V, 60 Hz, 15 amp electric supply on a dedicated 15 amp breaker.
This appliance must be grounded.

Remove the inlet plate and wire power into the plug box **before installing the unit**.

Remove the electrical inlet plate located at the rear of the unit as shown by removing the six screws at the back. Unplug the power supplies from the plug box and remove the cover beside the plug boxes.

Wire the power to the pigtails coming out of the plug box in accordance with the relevant national and local codes. Reinstall the cover box and plug the power supplies back in as they were before and reinstall the plate onto the unit.

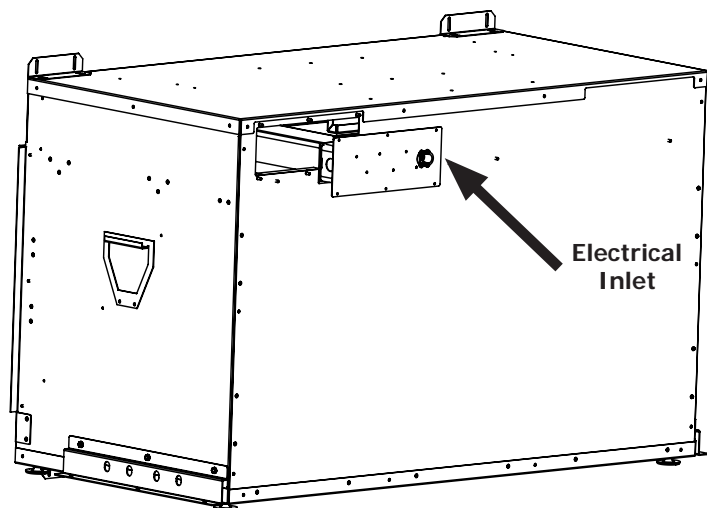


Figure 4: Electrical Inlet Location

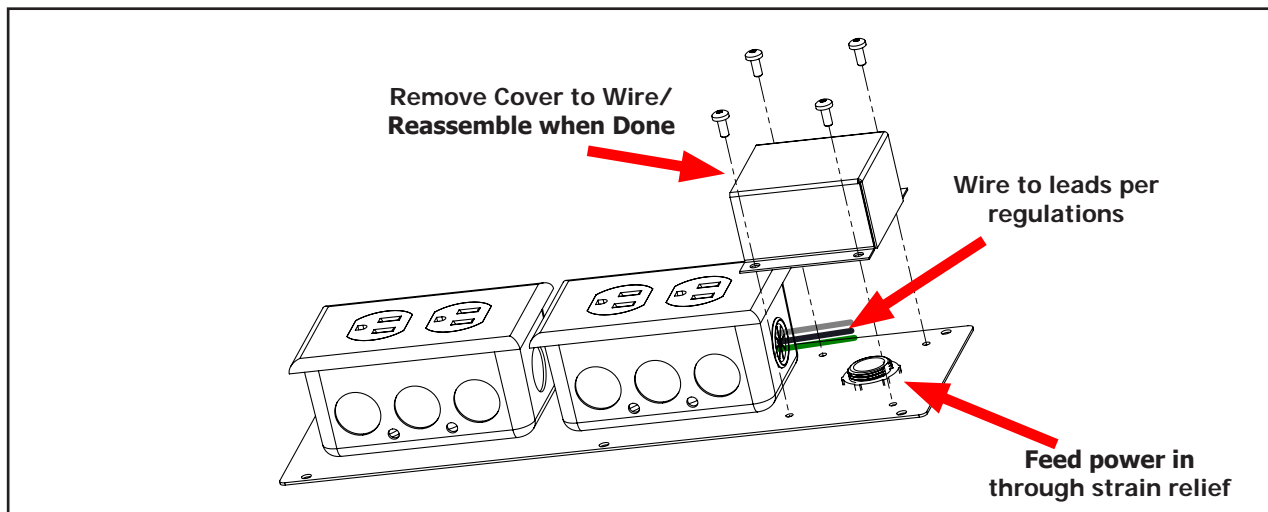


Figure 5: Power In Wiring

INSTALLATION - FRAMING & FINISHING

1. Prepare the framing according to Figure 6. The height of the platform depends of the desired viewing height.

Note: Provide appropriate dedicated circuit for hard wire install at the top right of the frame opening.

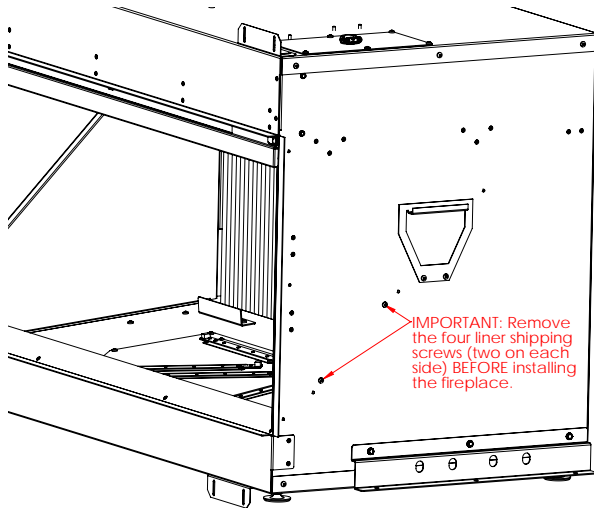


Figure 7: Front Liner Screw Removal

5. Mask off/cover the fireplace during the finishing process. Install desired finishing edges on the perimeter of the firebox. For more information on the location of the finishing edges see page 4.

NOTE: When using the optional surround panel (50-4718) leave a 1/4" gap around the perimeter of the view area.

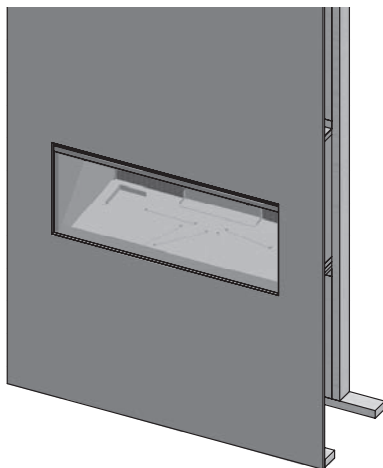


Figure 9: Framed and Finished

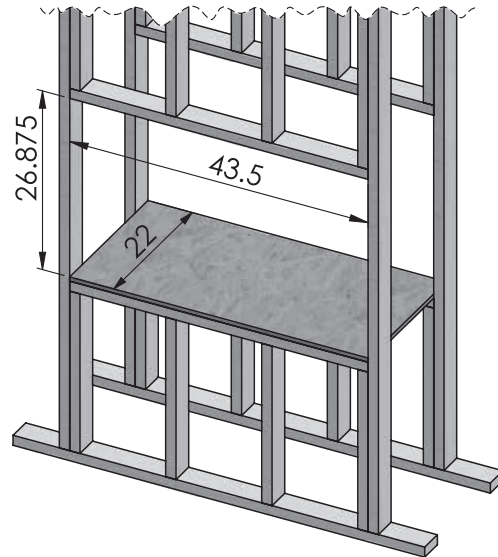


Figure 6: Framing Dimensions

2. Remove the front liner retainer screws (see Figure 7).

IMPORTANT: If you forget this step you will be unable to remove the side liners to install the glass or access any components.

3. Install the four supplied mounting L-brackets.

4. Install the fireplace in the frame opening using minimum 1 1/4" long drywall screws to secure the unit.

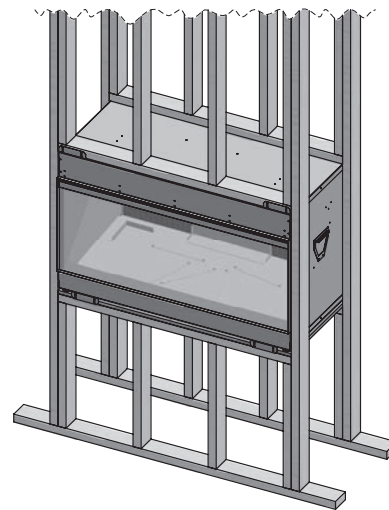


Figure 8: Unit in Framing

6. Install the ember bed, media, and logs as described starting on page 9.

7. Install glass and liners as described on page 16 and page 17.

INSTALLATION - CLEARANCES

The fireplace is permitted for zero clearance combustible framing around the chassis. Non-combustible front wall finishing material is not required.

If installing a mantel above the fireplace there must be a minimum 8" clearance as measured from the top of the fireplace opening.

If installing a TV above the fireplace, it is recommended that the TV is at least 12" above the top finishing flange of the fireplace.

Heat resistant paint is recommended to prevent any potential discolouration.

Table 2: Clearance to Combustibles

Side	0"
Bottom	0"
Top	0"
Mantel	8" / 203mm
TV	12"/305mm

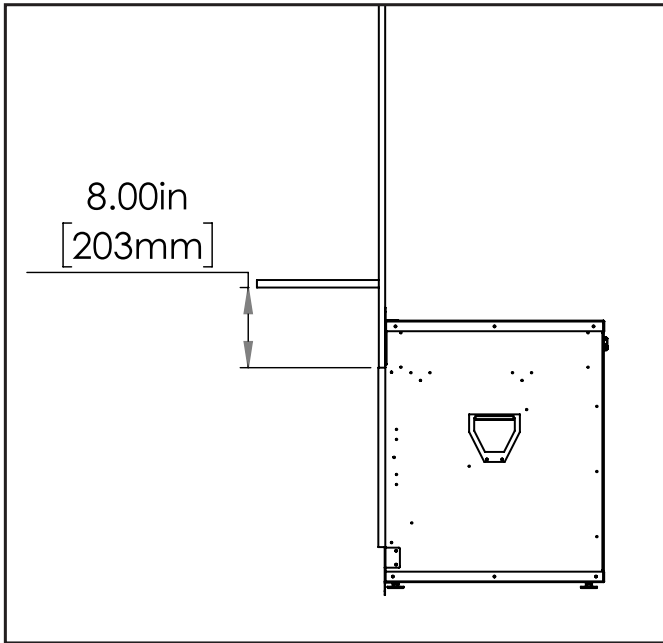


Figure 10: Mantel Clearance

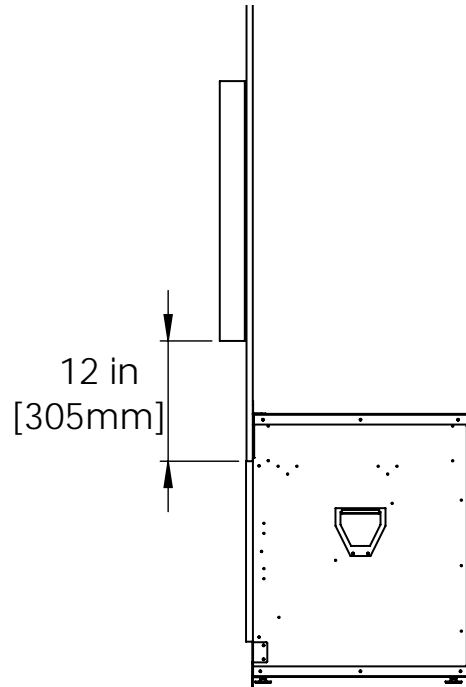


Figure 11: TV Clearance

INSTALLATION - EMBER BED, MEDIA & LOGS

Ember Bed Install

Remove the ember bed from its packaging, and place it on the floor of the firebox, butted up to the three ember bed locating tabs.

Note: Be careful of the LED strips and wiring on the firebox floor.

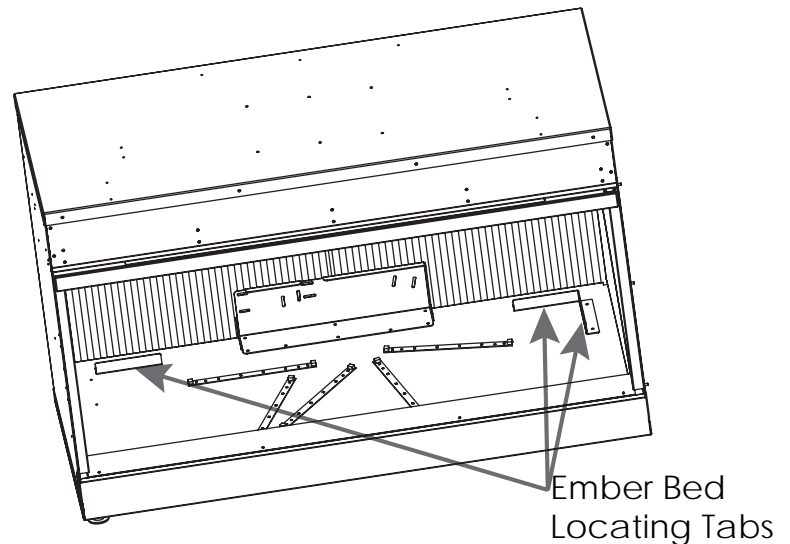


Figure 12: Ember Bed Locating Tabs

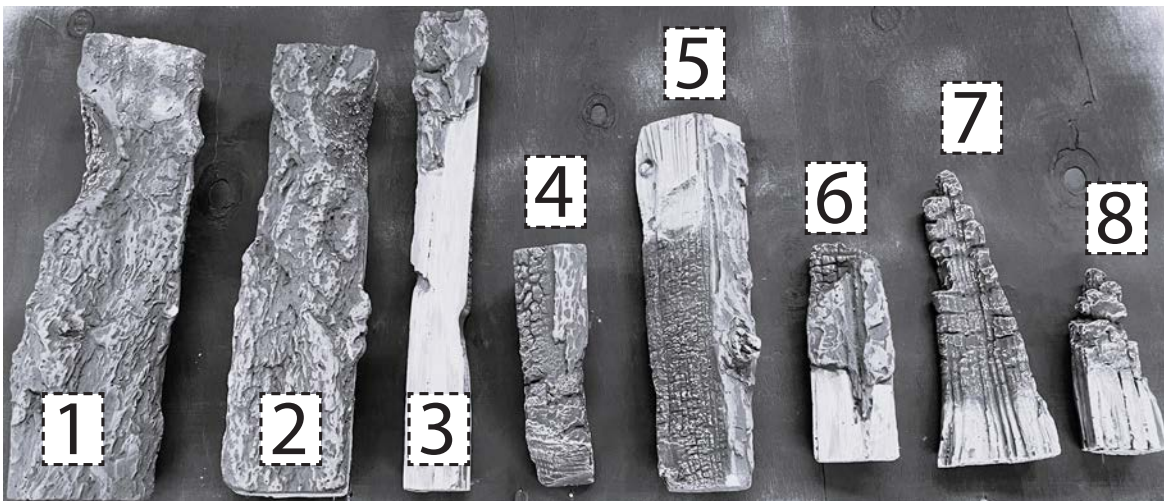
INSTALLATION - EMBER BED, MEDIA & LOGS

Log Setup Guide

Use the following instructions when installing the UE43H Traditional Log Set (50-4720). The same instructions are also included (C-17361) with the Log Set.



- It is best to setup the logs while the unit is on so correct placement can be verified at the end.
- Ensure the ember bed is installed following the instructions in the install manual before starting.
- Place the logs numbered below based on the following instructions.



INSTALLATION - EMBER BED, MEDIA & LOGS

- **Log 1:** Place Log 1 by butting it up to the tabs as shown below.



- **Log 2:** Place Log 2 by butting it up to the tabs as shown below. Make sure Log 1 stays in place when you do so.



INSTALLATION - EMBER BED, MEDIA & LOGS

- **Log 3:** Place Log 3 on the left mount, making sure it is flush at the back, and butted up to the tabs as shown below.



- **Log 4:** Align the notch in the bottom of Log 4 with the narrow piece of bark on Log 3, and butt Log 4 up to the tab as shown.

- Note: If Log 3 is installed correctly, Log 4 will sit flat on the angled tab on the left. If not, Log 4 may sit oddly. Play with the exact placement of Log 3 by moving the far left end of the log back or forwards until Log 4 is able to sit flat.

Angled Tab



Note: The lighter “unburnt” end of the log should be oriented towards the front of the unit.

INSTALLATION - EMBER BED, MEDIA & LOGS

- **Logs 5:** Align the ridge on the back of Log 5 (denoted by a dashed line below) with the edge of the tab (also denoted by a dashed line), and butt the face of Log 5 up to the tab as shown below.

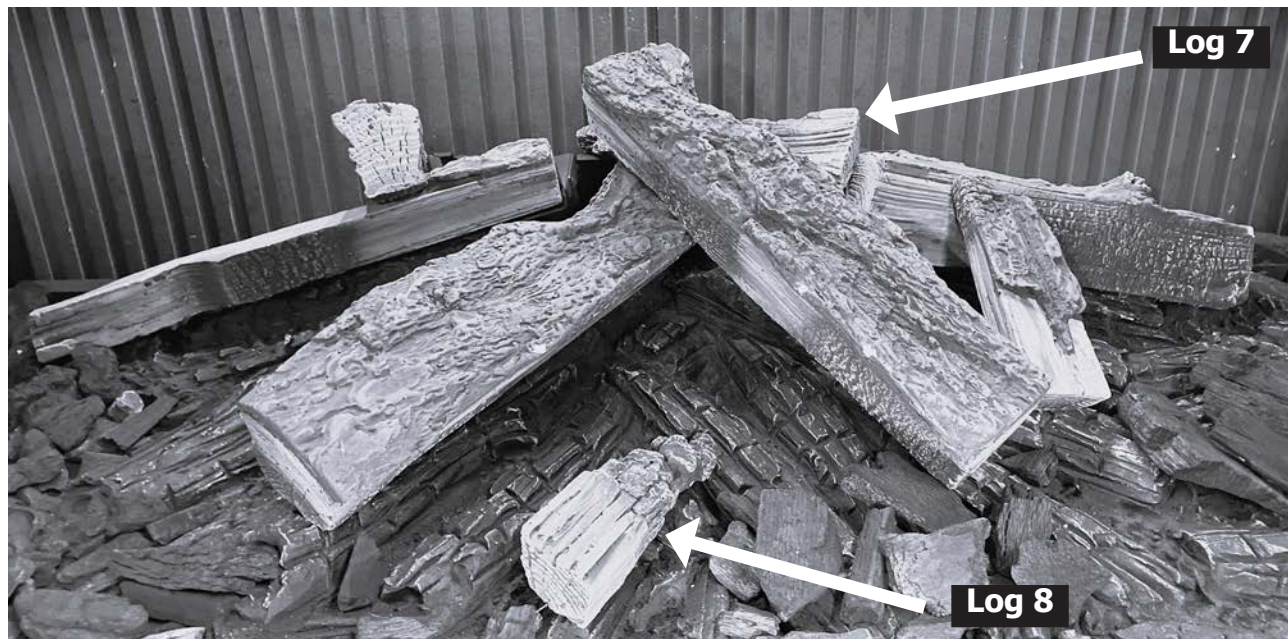


- **Log 6:** Place Log 6 as shown below aligned with the cutout in Log 5 (see above), with the tip of Log 6 aligned with the top of the front face of Log 5.



INSTALLATION - EMBER BED, MEDIA & LOGS

- **Log 7:** Place Log 7 as shown below. There are no specific mounting tabs for it, but try to place it where it hides the mounting tabs for Logs 2 and 5 when looking from the normal viewing positions.
- **Log 8:** The placement of the front accent Log 8 is entirely up to personal preference.



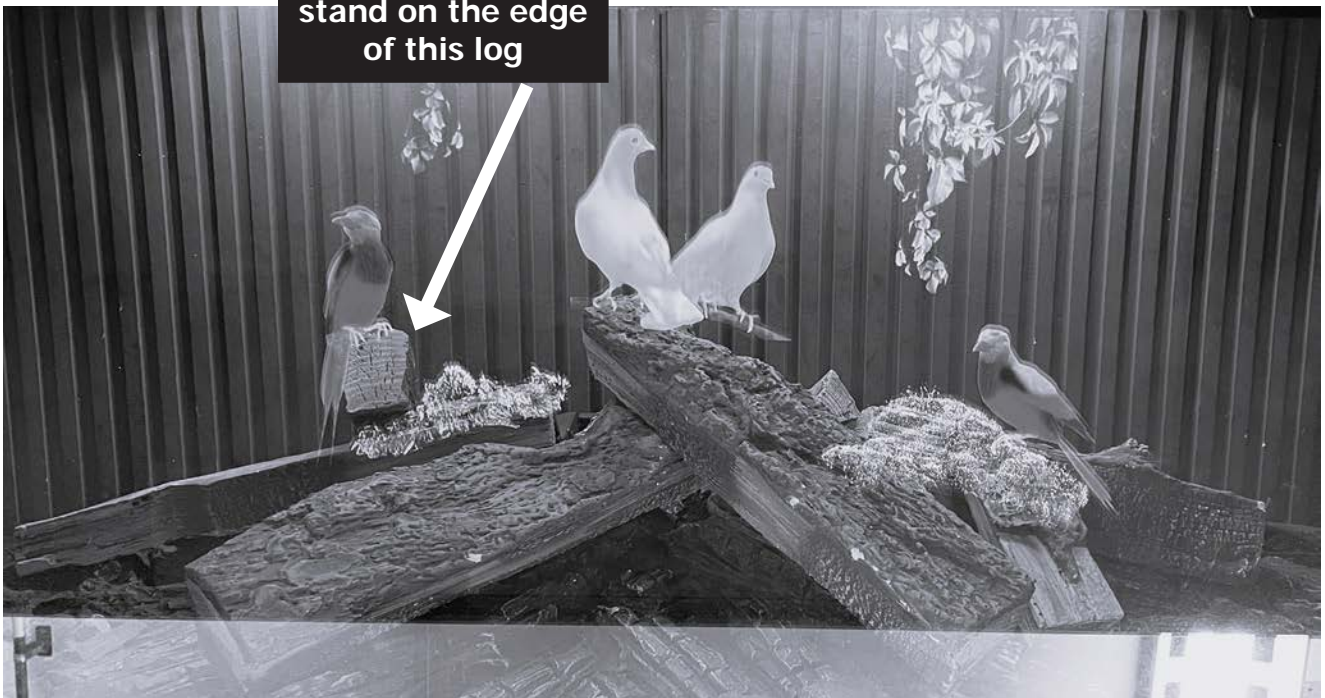
- **Media:** Spread the charcoal media over the ember bed as desired. Be sure to use the media to cover any brackets that may be visible from the main viewing angles.
- **Check:**
 - Install the angled reflective glass following the instructions in the manual.
 - Step back and ensure there are no obvious floating flames or embers. It is best to do this check with the small flame style. See the **next page** for an example of how the flame should look. Make adjustments as required.
 - After confirming Flame 1 looks good, switch the flame to the bird animation and check that the birds and moss are not floating either. Pay special attention to the leftmost bird. See the **next page** for what to look for. Make adjustments as required.
 - If you make adjustments to accommodate the bird video, switch back to Flame 1 and ensure it still looks good. **Prioritize the look of the flame** video over the birds.

INSTALLATION - EMBER BED, MEDIA & LOGS

Log Placement Check



Bird is meant to stand on the edge of this log



INSTALLATION - GLASS & SAFETY SCREEN

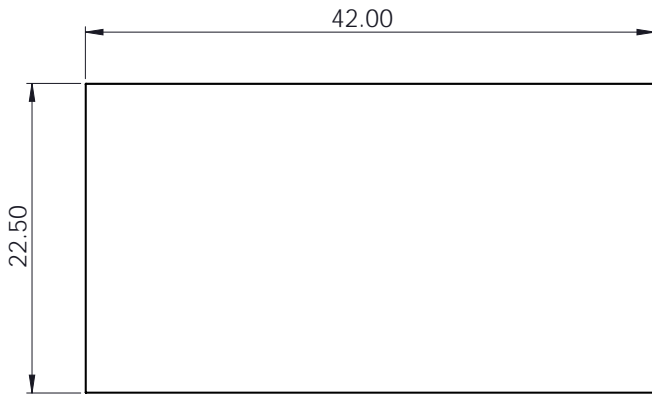


Figure 13: Angled Glass Dimensions

Angled Glass Installation

Note: Suction cups are not necessary but will make glass install easier.

1. Remove the front side wedge liners if necessary. To remove liner, pull inwards at the bottom corner (as shown in Figure 14) until it releases from the magnet and comes free.

NOTE: If this is the first time removing the liners on this unit, you will have to remove the four screws securing the liners from outside the firebox.

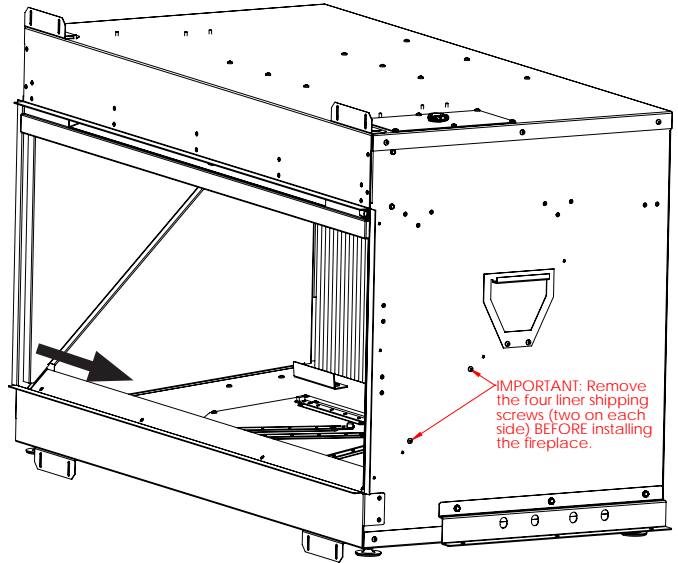


Figure 14: Front Wedge Liner Removal

2. Install the angled reflective glass by feeding it below the magnet brackets as shown in Figure 15.

Note: Make sure that the glass is resting on the two tabs at the top, above the rear side liners, and above the lip on the bottom glass catch plate. (See Figure 16)

3. Reinstall the front side wedge liners. Use the pins coming down from the ceiling to align them and make sure they are pressed up against the front magnets.

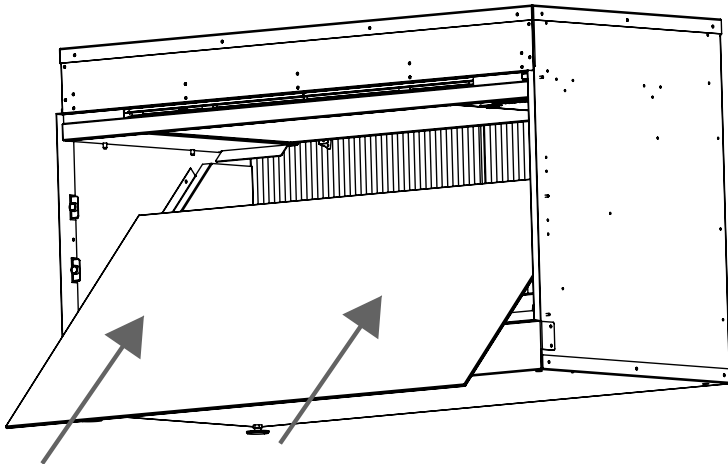


Figure 15: Angled Glass Install

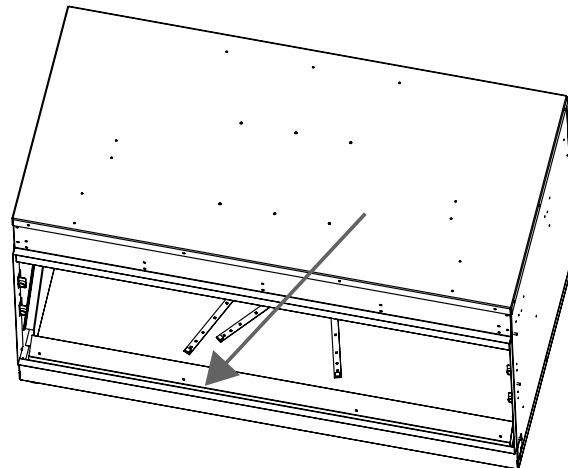
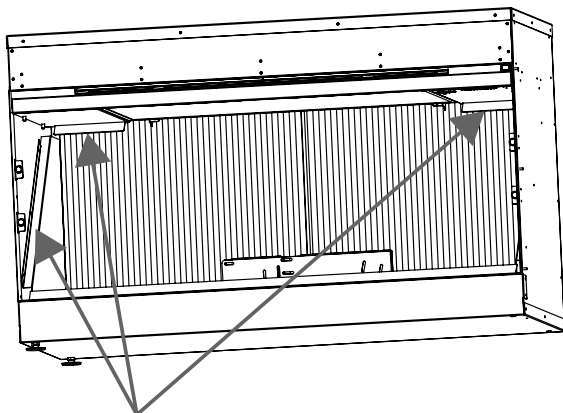


Figure 16: Angled Glass Tab Locations

INSTALLATION - GLASS & SAFETY SCREEN

The customer has a choice between installing **front tempered glass or a safety screen** front cover. Both are included with the unit. Instructions for each are below.

Front Glass Installation

1. Remove the glass retainer shown in Figure 18 by pulling back from the bottom to release it from the magnets.

2. Angle the front glass down into the front gap as shown in Figure 19 until it clears the magnets and front face.

Note: The glass should sit back against the flange, below the bend as shown in Figure 20.

3. Reinstall the glass retainer. Make sure it is below the on/off button and pulled down tight to the magnet cups. (See Figure 20)

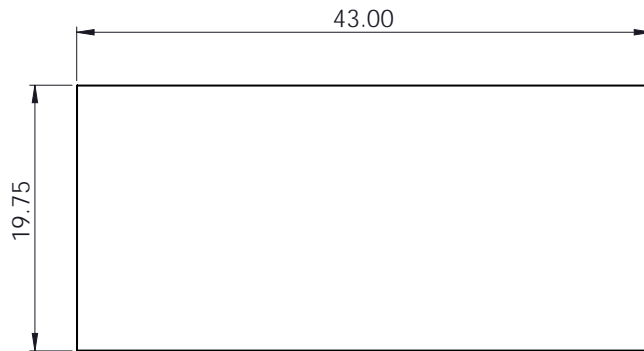


Figure 17: Front Glass Dimensions

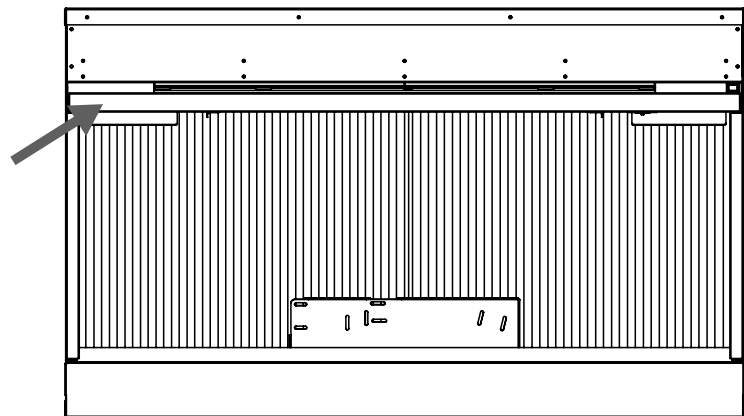


Figure 18: Front Glass Retainer

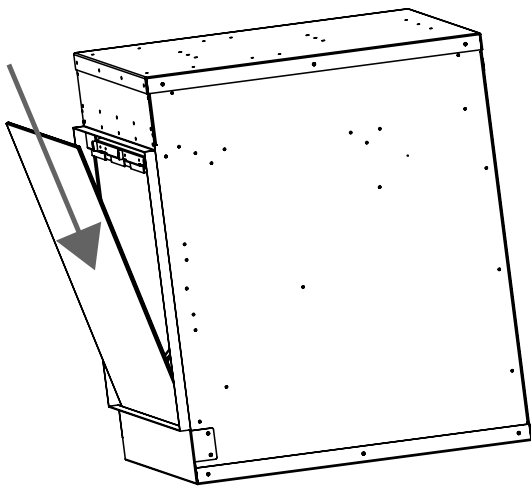


Figure 19: Front Glass Install

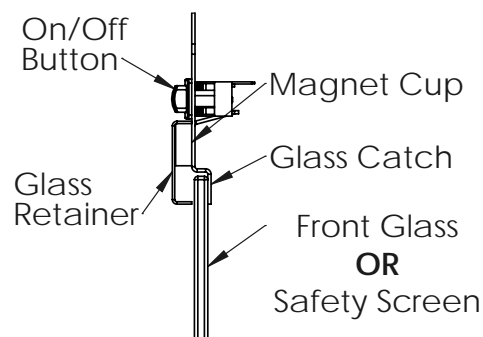


Figure 20: Installed Glass Side View

Safety Screen Installation

1. Remove the glass retainer shown in Figure 18 by pulling back from the bottom to release it from the magnets.

2. Remove the front tempered glass if it is installed.

3. Angle the Safety Screen assembly into the front gap as shown in Figure 21 and rotate it back into place.

Note: The "Retainer" piece is fastened to the safety screen. When properly installed, **the retainer must sit below the heater outlet** and the on/off button and be held in place by the magnets similar to Figure 20.

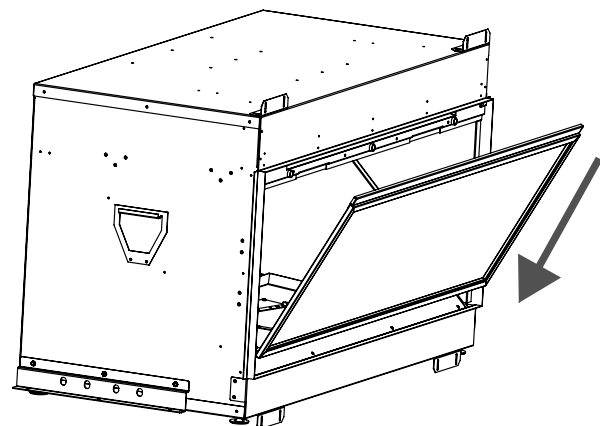


Figure 21: Safety Screen Install

ACCESSING COMPONENTS

The following instructions are for technicians if they require access to the internal components.

Removing the Ceiling Panel

1. Disconnect main power to the unit.
2. Remove the front glass (or safety screen), front side liners, and angled glass by completing the steps on page 16 and page 17 in reverse.
3. Carefully remove the right side ceiling panel.

NOTE: You will need to disconnect the speaker and remote receiver while the panel is partially installed following the steps below.

- a. Gently but firmly pull down on the inner part of the upper glass tab as shown in Figure 22 until the left side of the panel releases from the magnets. **DO NOT PULL TOO FAR YET.**
- b. While the ceiling panel is partially hanging down, reach in and unplug the two leads from the speaker and the 4-pin connector from the remote receiver.
- c. You can now fully remove the panel. Be careful not to damage the receiver or speaker.
- d. The components are above the ceiling panel on the right wall of the firebox.

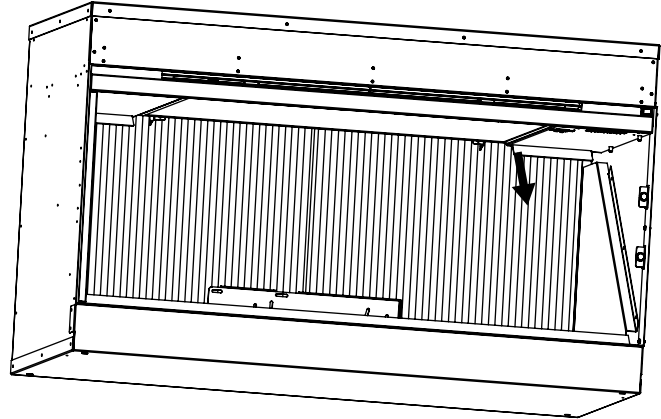


Figure 22: Ceiling Panel Removal

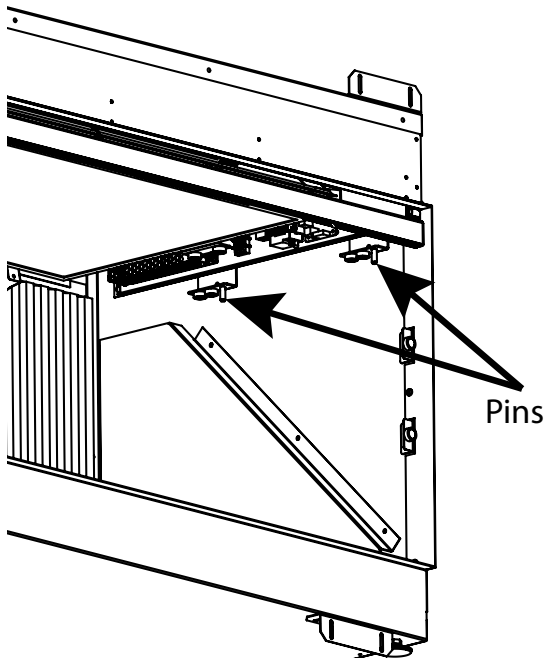


Figure 23: Ceiling Alignment Pins

Reinstalling the Ceiling Panel

1. Align the holes on the panel with the two pins pointing down near the side wall. (Figure 23)

2. Plug the remote receiver back in.

NOTE: It should only plug in one way, so don't force it.

3. Plug the speaker back in.

NOTE: The smaller female connector goes on the smaller speaker terminal and larger connector to the larger terminal.

4. The ceiling panel can now fully go back in place. Be careful not to pinch any wires.

ACCESSING COMPONENTS

Removing Component Tray

Before touching any components, disconnect the unit from main power.

1. Remove glass, front right side liner and ceiling panel.
2. Disconnect the following components as described below:
 - a. The HDMI cable from the control board (See Figure 24).
 - b. The grey and red LED output wires (See Figure 24) from the wire harness mounted to the chassis.

NOTE: You may have to partially remove the rear side liner to access the connectors.

 - c. The black and white heater output wires (See Figure 24) where they connect to the heater box at the front of the unit.
 - d. Disconnect the blue and green wires (See Figure 24) from the on/off button on the front face of the unit.
 - e. Disconnect the component tray power supplies from the plug boxes on the back wall near the tray. Leave the display screen power supply plugged in. (See Figure 25).

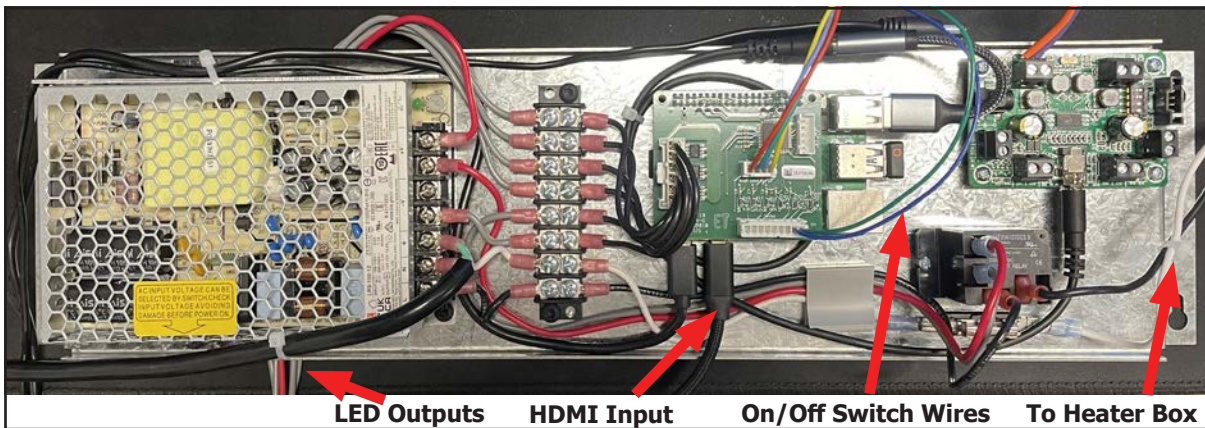


Figure 24: Component Tray

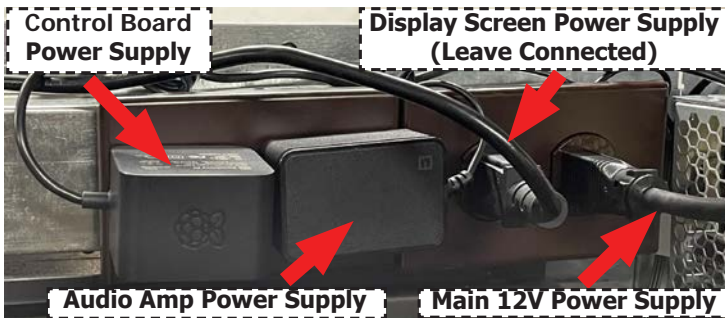


Figure 25: Power Supply Plugs

3. Remove the nuts securing the panel at the keyslots shown in Figure 26.
4. Unhook the keyslots on the front flange of the component tray from the screws and angle the tray out (See Figure 26).

NOTE: Take care not to let the dangling wires get hung up on anything on the way out.

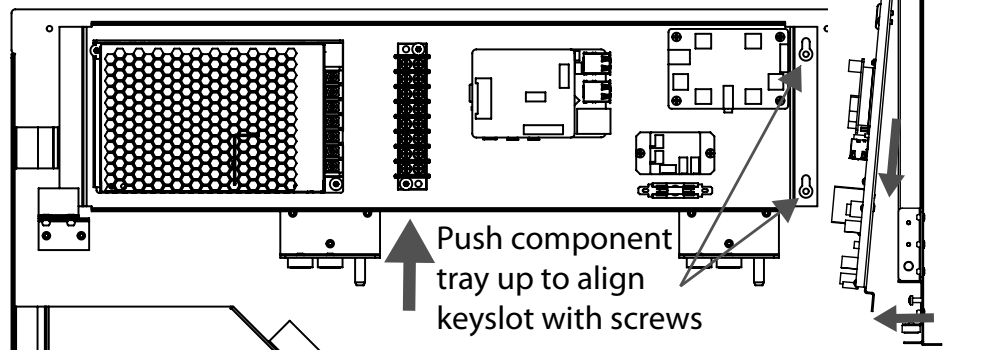


Figure 26: Component Tray Removal

ACCESSING COMPONENTS

Removing Display Screen

Before touching any components, disconnect the unit from main power.

1. Remove glass, front side liners and ceiling panels.
2. On the screen retainer assembly on both side of the display:
 - a. Loosen the wingnuts shown in Figure 27.
 - b. Slide the L-brackets to the top of slots and retighten the wingnuts.
3. Unplug the HDMI from the display at the upper middle part of the firebox
4. Unplug the display power supply cable from the plug box at the upper right part of the firebox back.
5. Manipulate the screen up, back, down, and out as shown in Figure 28.

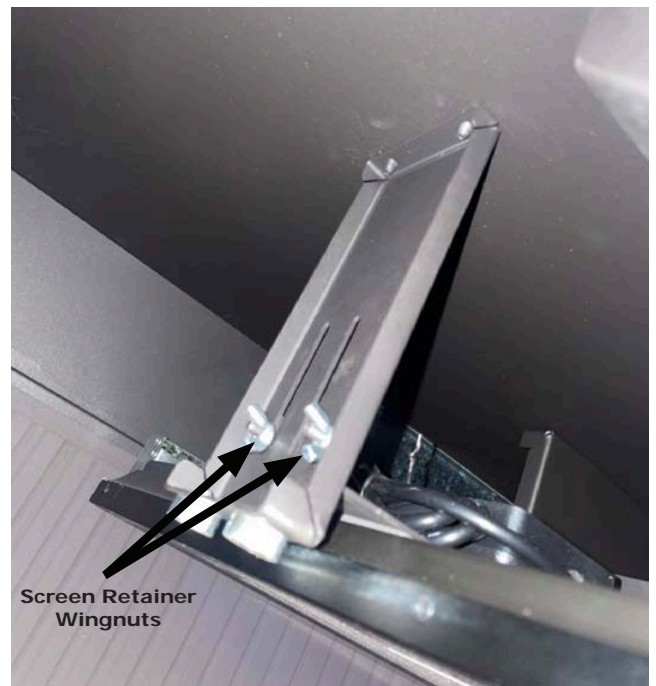


Figure 27: Screen Retainer

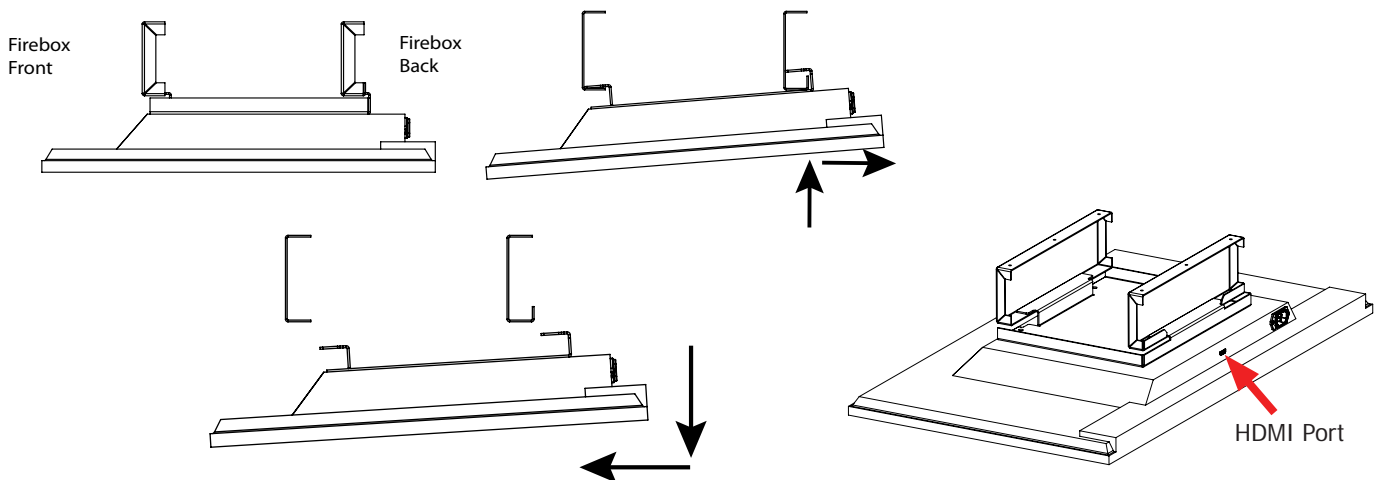


Figure 28: Display Removal



Figure 29: Power Supply Plugs

CLEANING & MAINTENANCE

On a semi-annual basis disconnect the fireplace from main power, wait for the heating element to cool and dust the fireplace with a dry cloth. Be careful not to brush any wires that may be exposed.

- To clean the glass of the fireplace simply use any household desired glass cleaner with paper towels.
- To clean the air inlets/outlets, wipe with a soft cloth or the nozzle of a vacuum cleaner
- Dust can easily build up around the heater area inside the fireplace near the outlet above the glass. Take particular care to clean this area on a regular basis to prevent buildup.
- For long periods of inactivity, unplug the fireplace and ensure the surrounding area remains dry



1. Flip remote over and remove the screw.



2. Use the screwdriver or similar tool to pull the battery case down.



3. Pop the battery out of the case and replace it with another CR2032 battery.



4. Slide the battery case back into the remote as shown and reinstall the screw.

OPERATION

There is a power button above the top right part of the front glass. The remaining functions are operated using the remote.

The remote functions are outlined below.

- Power - Located on the unit and the remote. Turns the heater, flame video, and firebox lights on and off.

Note: This does not cut power to the unit or any of its components. To do so, the main power into the unit must be switched off.

- Flame - Cycles between different flame and video options:
 - Low, Medium, High, Nature Scene, Demo Mode, Blank Screen Mode.
- Volume - Controls the sound level of the audio playing from the speaker. An indicator showing the volume level will show up on the display.
- Light - Controls the brightness of the top light and flickering front light. There are 4 light settings : Low/Medium/High/Off.
- Glow - Controls the brightness of the pulsing ember bed lights. It has the same options as above.
- Heater - Toggles the heater on and off. An indicator showing the heater status will show on the display when it is changed.

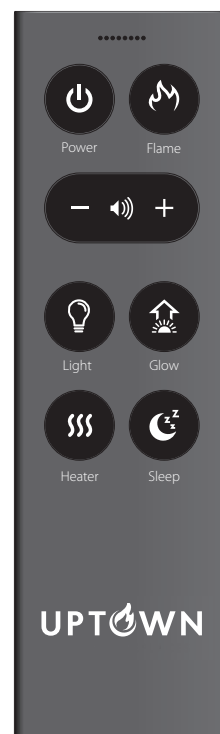


Figure 30: Hologram Remote

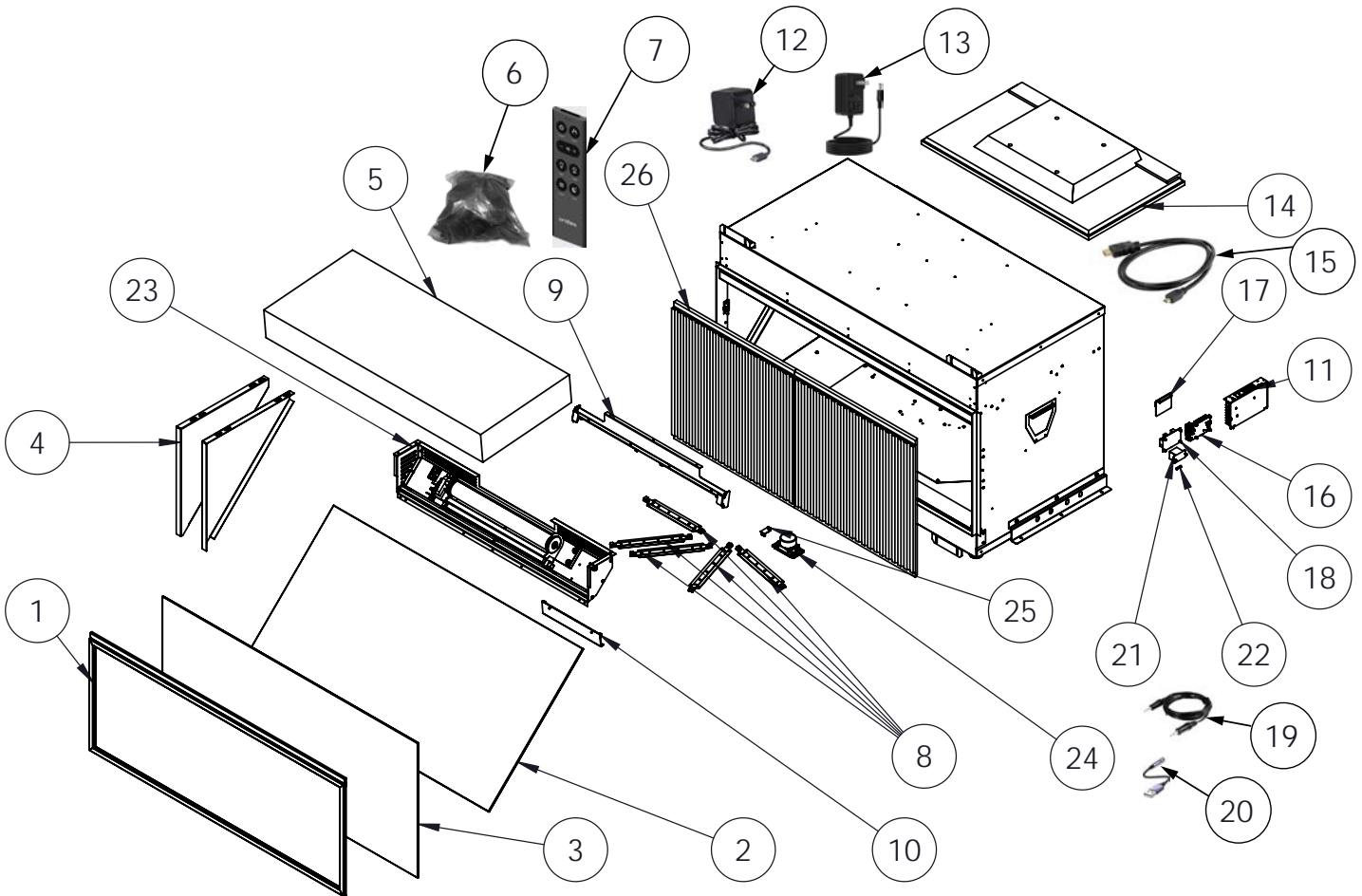
TROUBLESHOOTING

Table 3: Troubleshooting

Problem	Possible Cause	Solution
Fireplace will not turn on	Tripped circuit breaker, circuit has no power	· Reset breaker. Test circuit for incoming power.
	Fireplace needs to be reset	· Turn off main power breaker to fireplace for 60 seconds, then turn back on.
	Loose connection	· Disconnect fireplace from power and inspect for any loose or damaged wire connections.
	Defective component	· Contact your Uptown Fireplace dealer.
Fireplace lights on but no flame visible	“Screen Off” video mode selected	· Press the “Flame” button to select a different video mode.
	Loose connection	· Disconnect fireplace from power and inspect for any loose or damaged HDMI and display screen power supply connections.
	Defective Remote Control	· Replace the remote control. Contact your Uptown Fireplace dealer.
Remote control not working	Blocked remote receiver	· Check that the remote receiver, located in the upper part of the firebox to the right of the display screen, is not blocked.
	Low remote battery	· Replace the battery in the remote following the instructions in “Cleaning & Maintenance” section. Required battery is a CR2032.
	Loose connection	· Disconnect fireplace from power and inspect the connections between the remote receiver and the control board.
	Defective Remote Control	· Replace the remote control. Contact your Uptown Fireplace dealer.
No heat from heater when heater mode turned on	Loose connection	· Disconnect fireplace from power and inspect heater for any loose connections.
	Safety circuit tripped	· Turn off the unit and check for any blockages around the heater outlet. Allow unit to cool down so the safety switch resets.
	Defective heater component	· Replace the component. Contact your fireplace dealer.
No sound	Loose connection	· Disconnect fireplace from power and inspect speaker and audio circuit for any loose connections.
	Defective heater component	· Replace the component. Contact your fireplace dealer.

PARTS LIST

Replacement Parts					
#	Part Description	Part Number	#	Part Description	Part Number
1	Safety Screen	50-4748	16	Control Board	50-4763
2	Angled Reflective Glass	50-4749	-	Programmed MicroSD Card	50-4764
3	Front Tempered Glass	50-4750	17	HAT Board	50-4765
4	Front Side Liner Set	50-4751	-	Wire Harness Set (HAT Board)	50-4766
5	Ember Bed	50-4752	18	Audio Amp Board	50-4767
6	Charcoal Media (3 lbs)	50-4753	19	Aux Cable	50-4768
7	Hologram Remote	50-4754	20	USB Aux Adapter	50-4769
8	Floor LED Strip	50-4755	21	Relay	50-4770
9	Top Light LED Assembly	50-4756	22	Fuse	50-4771
10	Flicker Light LED Assembly	50-4757	23	UE43H Fan Heater Assembly	50-4772
11	12V Main Power Supply	50-4758	-	Thermal Cutoff Switch Assembly	50-4773
12	Control Board Power Supply	50-4759	24	Speaker	50-4774
13	Audio Amp Power Supply	50-4760	25	IR Receiver	50-4775
14	Display Screen (Inc. Power Supply)	50-4761	26	Rear Liner Set	50-3818
15	HDMI Cable	50-4762			



NOTES

Sherwood Industries Ltd. ("Sherwood") hereby warrants, subject to the terms and conditions herein set forth, this product against defects in material and workmanship during the specified warranty period starting from the date of original purchase at retail. In the event of a defect of material or workmanship during the specified warranty period, Sherwood reserves the right to make repairs or to assess the replacement of a defective product at Sherwood's factory. The shipping costs are to be paid by the consumer. All warranties by Sherwood are set forth herein and no claim shall be made against Sherwood on any oral warranty or representation.

Conditions

- A completed warranty registration must be submitted so Sherwood within 90 days of original purchase via the online warranty registration page. Have the installer fill in the installation data sheet in the back of the manual and keep this for your own future reference.
- This warranty applies only to the original owner in the original location from date of purchase.
- The unit must have been properly installed by a qualified technician or installer, and must meet all local and national building code requirements.
- The warranty does not cover removal and re-installation costs.
- Sherwood Industries Ltd. reserves the right to make changes without notice.
- Sherwood Industries Ltd. and its employees or representatives will not assume any damages, either directly or indirectly caused by improper usage, operation, installation, servicing or maintenance of this appliance.
- A proof of original purchase must be provided by you or the dealer including serial number.

Exclusions

An expanded list of exclusions is available at www.uptownfireplaces.com/exclusions/

This warranty does not cover:

- Damage as a result of improper usage or abuse.
- Damage caused due to incorrect setup or tampering.
- Damage caused by incorrect installation.

To the Dealer

- Provide name, address and telephone number of purchaser and date of purchase.
- Provide date of purchase. Name of installer and dealer. Serial number of the appliance. Nature of complaint, defects or malfunction, description and part # of any parts replaced.
- Pictures or return of damaged or defective product may be required.

To the Distributor

- Sign and verify that work and information are correct.

Sherwood Industries Ltd.

6782 Oldfield Road, Victoria, BC. Canada V8M 2A3

Online warranty registration: www.uptownfireplaces.com/product-registration/

Category	One Year	Two Year	Three Year
Glass Panel			✓
LCD Display Screen		✓	
Flame Effect Screen			✓
Power Unit	✓		
Heater Unit	✓		
Ember Bed			✓
Flame Effect Spindle / Flame Effect LED Board	✓		
Fuel Effect Spindle / Fuel Effect LED Board	✓		
Spindle Motor	✓		
Power Cable / Plug Kit		✓	
Remote Control		✓	
Fan		✓	
Media (Log Sets, Glass Media)			✓

Important: A 120 VAC, 20A dedicated circuit is required for operation of the 1500w heater. 1 240VAC, 20A dedicated circuit is required for the 3000w heater. A dedicated circuit is required to prevent circuit breaker tripping or fuse failure. Failure to provide adequate power to this appliance will void your warranty.

Note: If hard wiring to the appliance, this must be completed by a qualified electrician. Failure to do so will void your warranty.

INSTALLATION DATA SHEET

The following information must be recorded by the installer for warranty purposes and future reference.

NAME OF OWNER:

ADDRESS:

PHONE: _____

NAME OF DEALER:

ADDRESS:

PHONE: _____

MODEL: _____
SERIAL NUMBER: _____
DATE OF PURCHASE: _____ (dd/mm/yyyy)
DATE OF INSTALLATION: _____ (dd/mm/yyyy)

INSTALLER'S SIGNATURE:

NAME OF INSTALLER:

ADDRESS:

PHONE: _____

MANUFACTURED BY:
SHERWOOD INDUSTRIES LTD.
6782 OLDFIELD RD. SAANICHTON, BC, CANADA V8M 2A3
www.Uptownfireplaces.com
September 2025
C-17278